



# RHINO-RACK

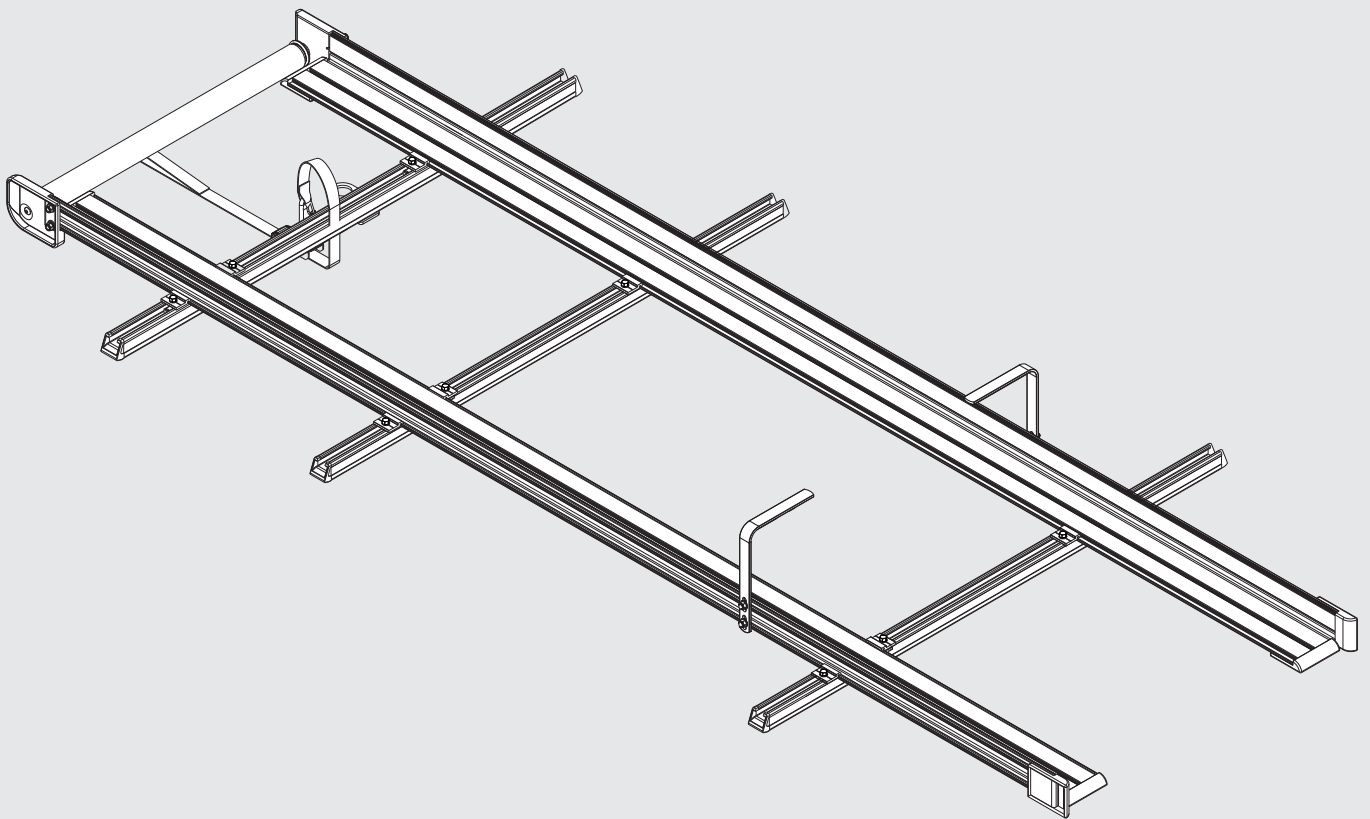
CONTROLLED

## LADDER SLIDE - CSL

**Important:**

1. Check the Rhino-Rack website to ensure you have the latest issue of these instructions.
2. Please refer to your fitting instruction to ensure that the roof racks are installed in the correct locations.
3. Check the contents of kit before commencing fitment and report any discrepancies.
4. Place these instructions in the vehicle's glove box after installation is complete.
5. These instructions must be followed for warranty to be upheld.

**Fit Time:** 30 min



## CSL Instructions

---

### Carrying Capacity

#### System load capacity:

Check your vehicle owners hand book for vehicle maximum carrying capacity. Please ensure you use the vehicle manufactures maximum roof allowance if it is lower than the figure listed in this instruction.

Load must be evenly distributed over the system.

ON ROAD CARGO ALLOWANCE (OR)	OFF ROAD CARGO ALLOWANCE (OFR)	VEHICLE ROOF LOAD LIMIT (VLL)	SYSTEM WEIGHT (SW)
$(OR) = (VLL) - (SW)$	$(OFR) = \frac{(OR)}{1.5}$	XXkg / XXlb (CHECK VEHICLE OWNERS HANDBOOK FOR SPECIFIC FIGURE).	CSL26M - 14.19kg / 31.2lbs CSL30M - 14.89kg / 32.8lbs CSL35M - 15.76kg / 34.7lbs CSL40M - 16.63kg / 36.6lbs

#### Torque Settings

Unless stated otherwise in these instructions, all fasteners should be set to the following torque settings - M6: 4-5Nm (3-4lbs/ft), M8: 8-10Nm (6-7.5lbs/ft) and M10: 16-18Nm (12-13lbs/ft).

### Warning

---

- Check part number/ or kit is correct for use with your vehicle.
- Do not attempt to fit the rack system to your vehicle unless you fully understand these fitting instructions. Please direct any questions regarding fitting to the dealer from where the roof racks were purchased.
- Although the system is tested and approved to AS1235-2000 / ISO 11154, off-road conditions can be much more rigorous. Extreme care must be taken in off road conditions.
- Roof racks must be removed when vehicle is put through an automatic car wash.
- With utility vehicles, the cabin and the canopy move independently. Roofracks and vehicle can be damaged if the item transported is rigidly fixed at points on both the cabin and canopy. Instead, rigidly fix to either the cabin roofracks or the canopy roofracks.
- Always ensure you fasten your load securely.
- Use only non-stretch fastening ropes or straps to attach cargo to your load.
- Clean vehicle/ rails before fitting roof rack.

### In service maintenance checks

---

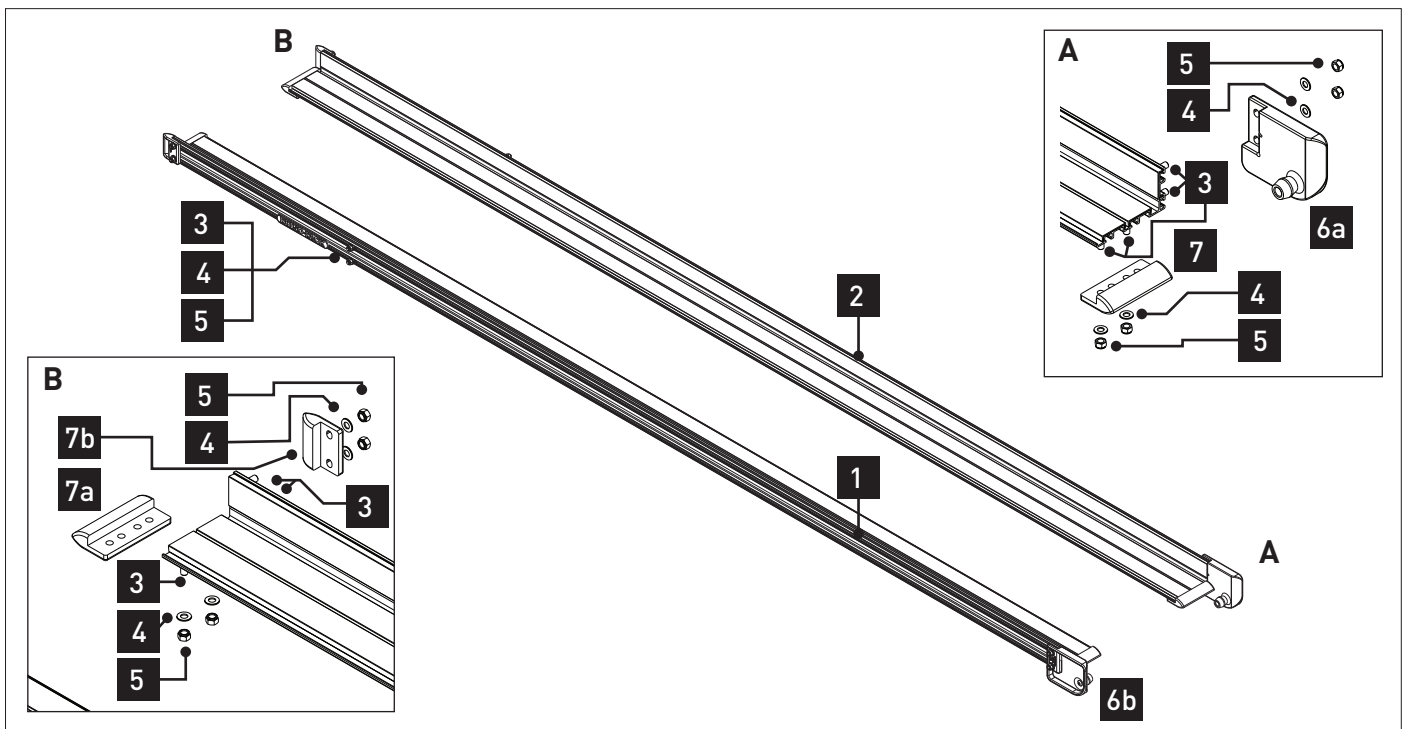
- All bolt connections should be checked after driving a short distance when you first install your roof racks.
- All bolted connections should be checked again at regular intervals (weekly is recommended, depending on road conditions, usage, loads and distances travelled).
- All bolted connections should be checked each time they are re-fitted.

### Note for Dealers and Fitters

---

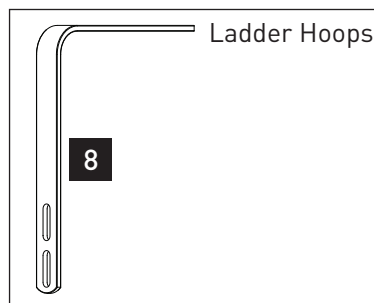
It is your responsibility to ensure these fitting instructions are given to the end user or client. These instructions remain the property of Rhino-Rack Australia Pty. Ltd. and may not be used or changed for any other purpose than intended.

Parts List

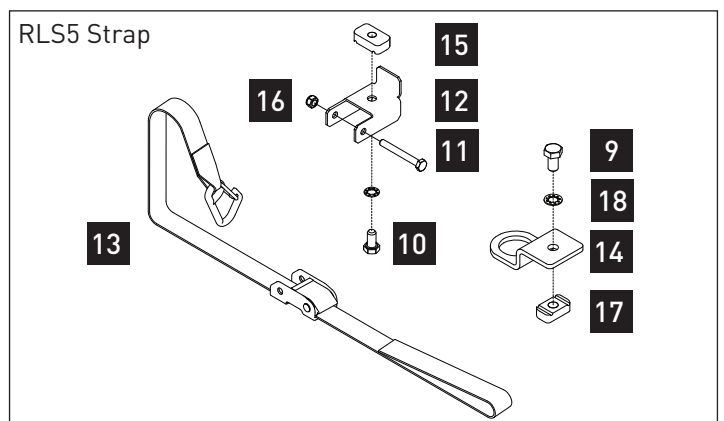


Item	Slide Rail Assemblies	Qty
1	Assembled slide rail (left)	1
2	Assembled slide rail (right)	1
3	M8 x 20mm T-bolt	20
4	M8 x 17mm flat washer	20
5	M8 nyloc nut	16
6a	Roller moulding (right)	1
6b	Roller moulding (left)	1
7a	Guide plate slide ends	4
7b	Guide plate side	2

Item	Ladder Hoops	Qty
8	Ladder hoop brackets	2

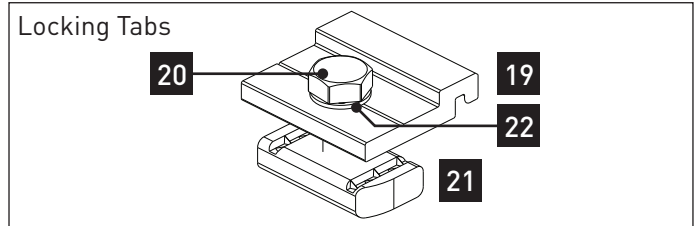


Item	RLS5	Qty
9	M10 hex screw	1
10	M8 x 16mm hex screw	1
11	M6 x 50mm hex bolt	1
12	U-section strap bracket	1
13	Camlock strap + snap hook	1
14	RLS5 snap hook bracket	1
15	M8 channel nut	1
16	M6 nyloc nut	1
17	M10 channel nut	1
18	M10 shakeproof	1

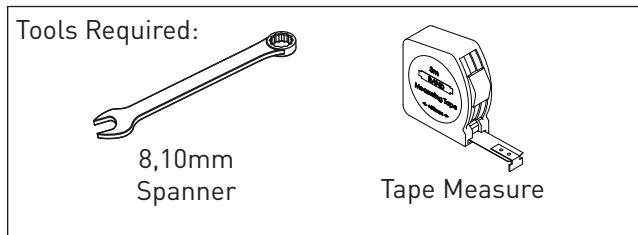
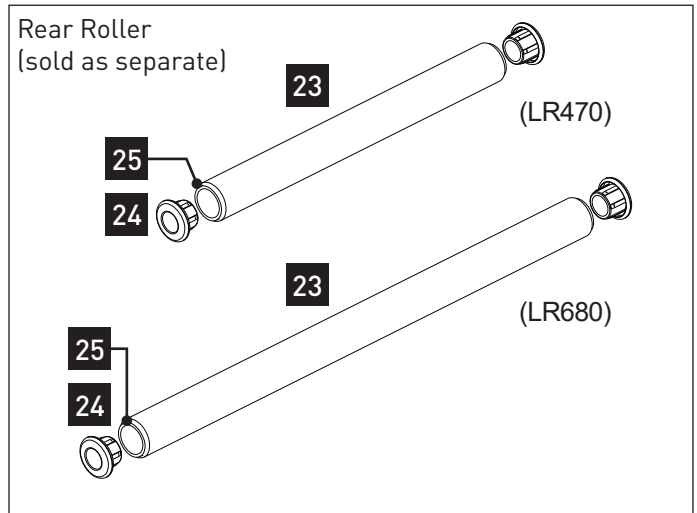


## CSL Instructions

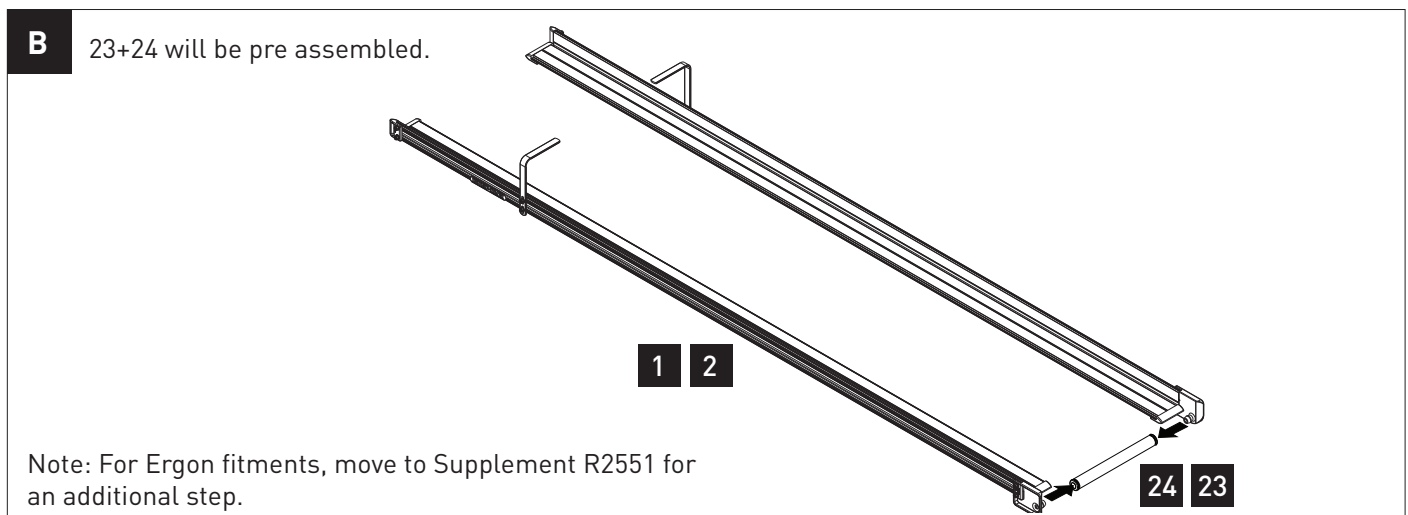
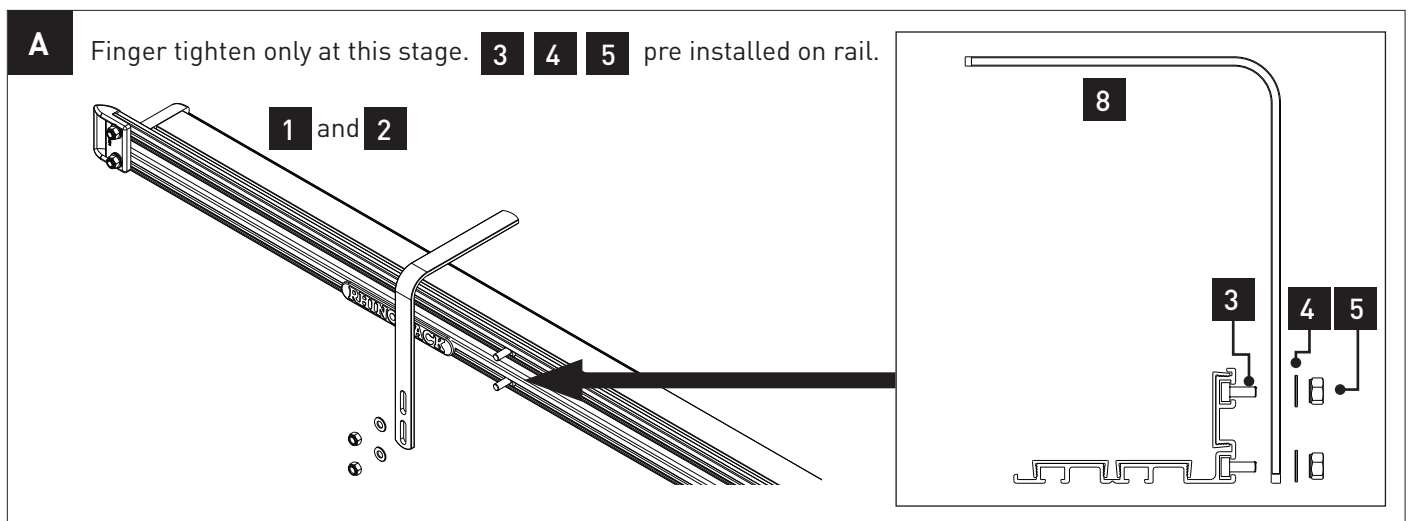
Item	Locking Tabs (x12)	Qty
19	M8 locking tab	1
20	M8 x 25mm hex head bolt	1
21	M8 channel nut	1
22	M8 spring washer	1



Item	Rear Roller	Qty
23	Roller sleeve	1
24	Roller bushing	2
25	Roller tube	1



## Installation Steps



C

19 20 21 22

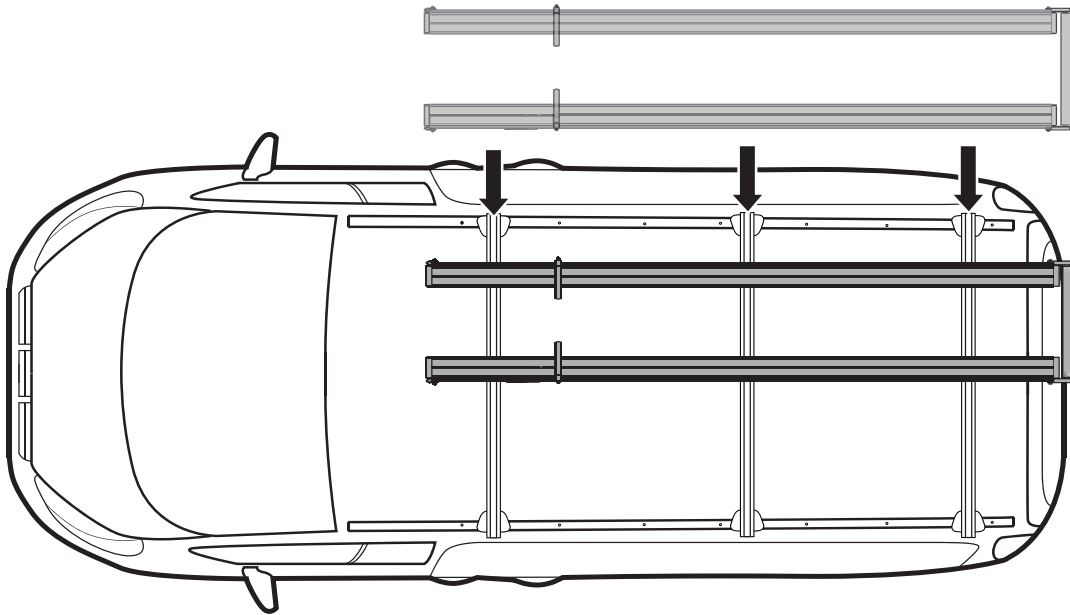
4x Locking tabs per crossbar



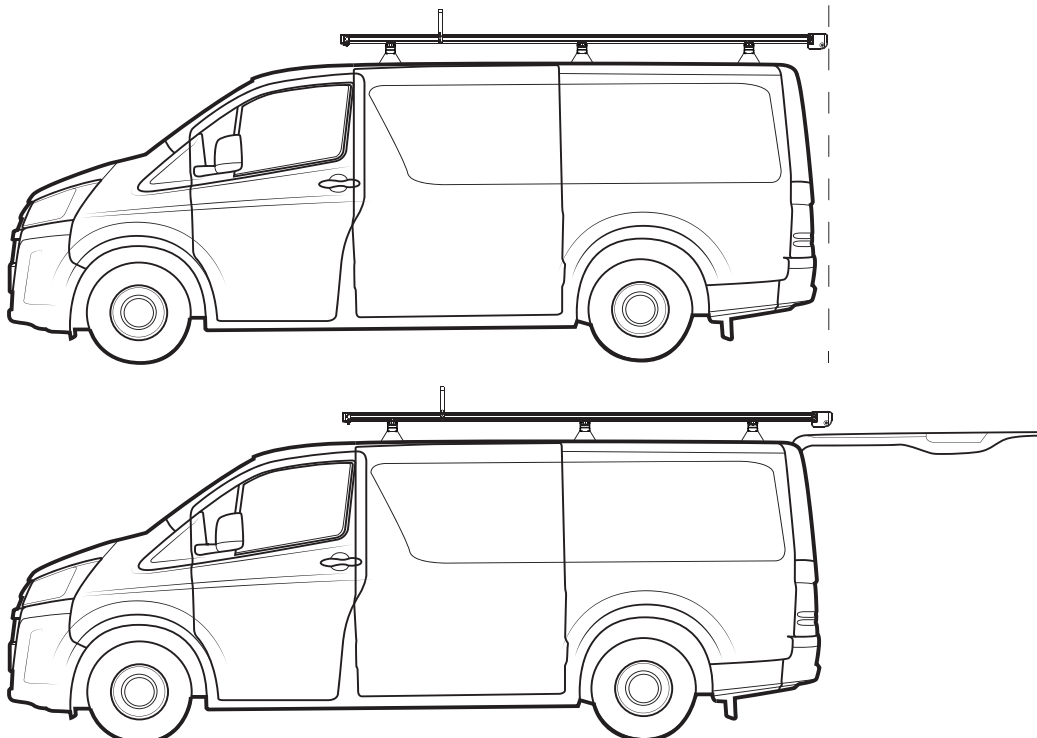
**Note: For vortex crossbar fitments. Turn to page 8.**

D

Place the ladder rack onto the roof in the intended position.

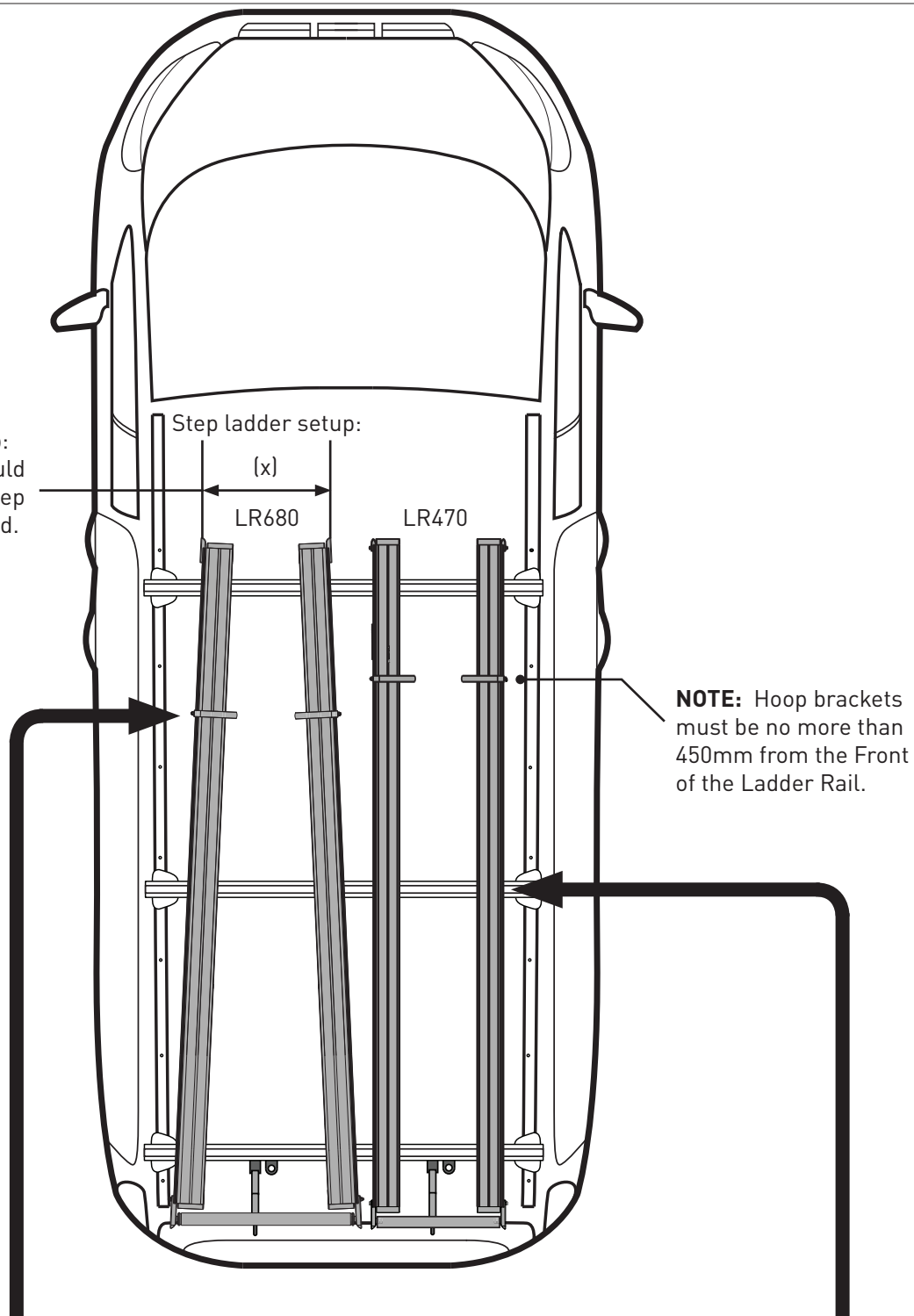


Be sure the rear of the CSL ladder rack, clears the rear of the vehicle but does not contact an open rear door.

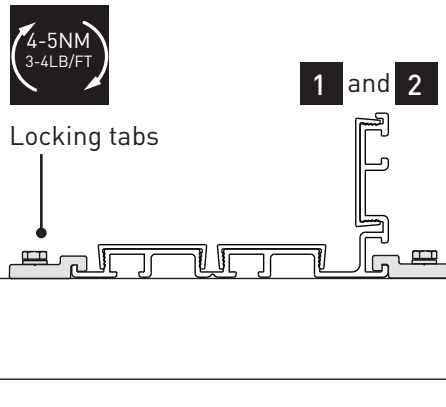
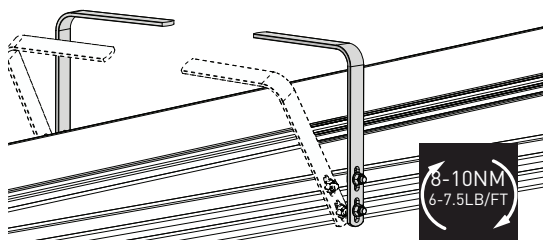


E

Step ladder setup:  
X = Dimension should  
be adjusted to fit step  
ladder to be carried.

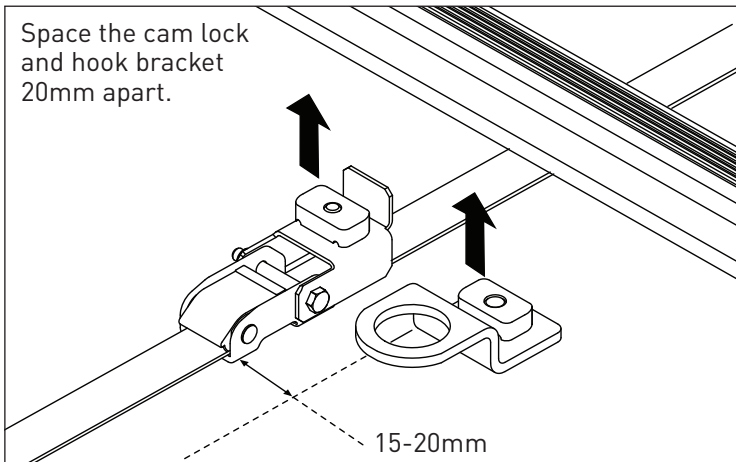


Adjust the Ladder Restraining Brackets so they are no larger than 20mm above the ladder. They may need to be angled forward for smaller ladders.

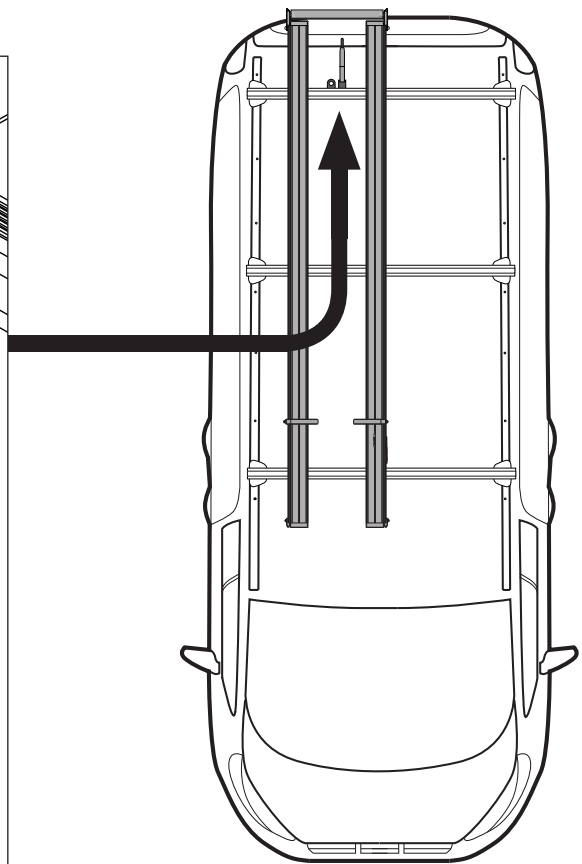
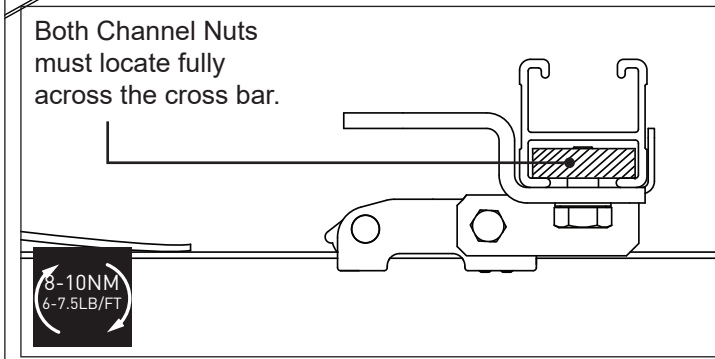


**Fa**

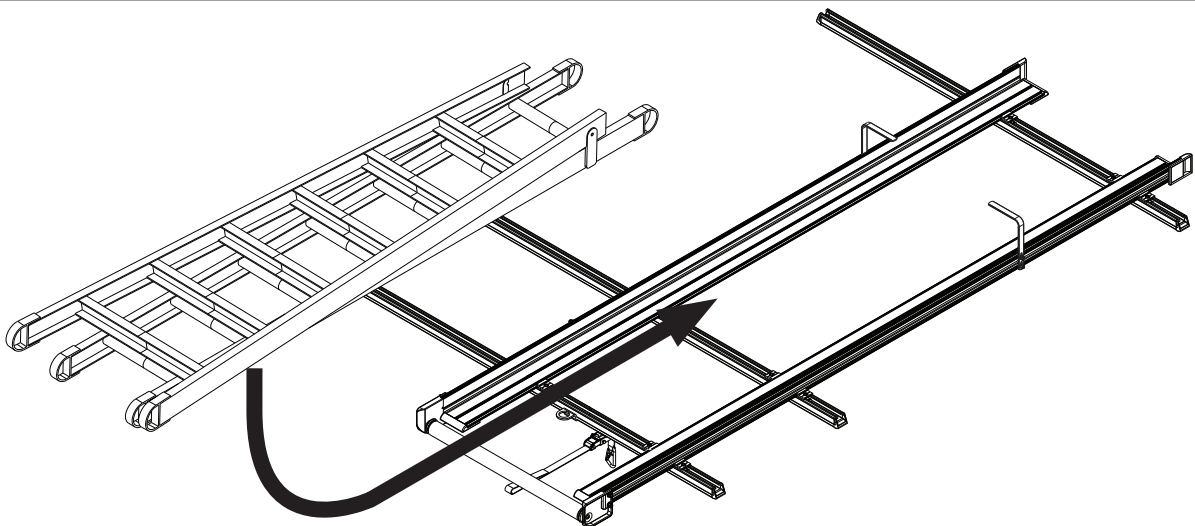
Space the cam lock and hook bracket 20mm apart.



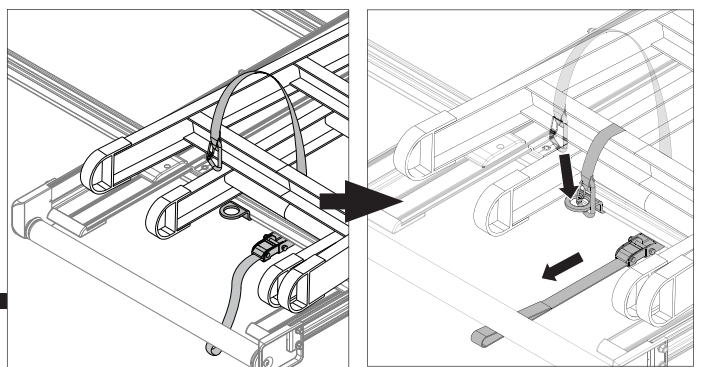
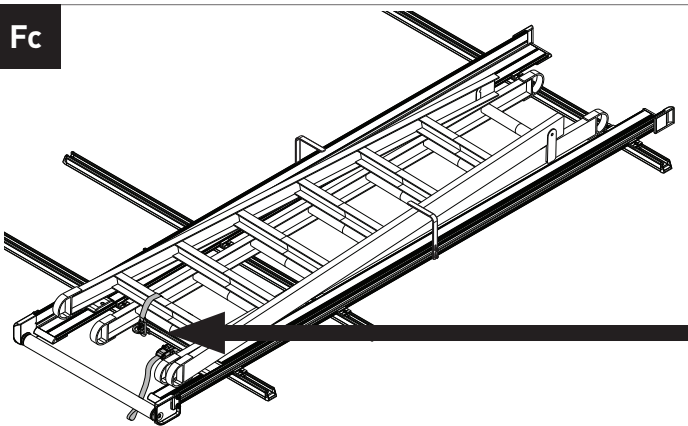
Both Channel Nuts must locate fully across the cross bar.



**Fb**

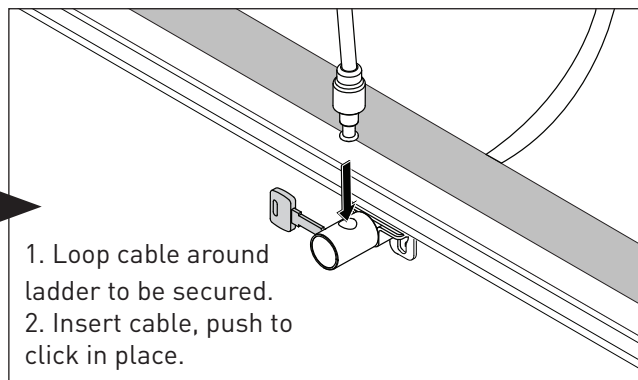
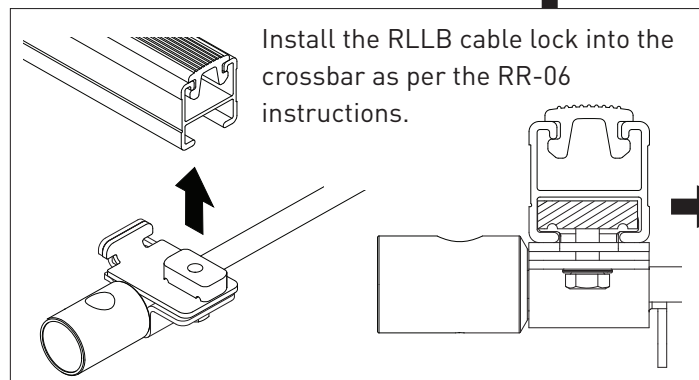
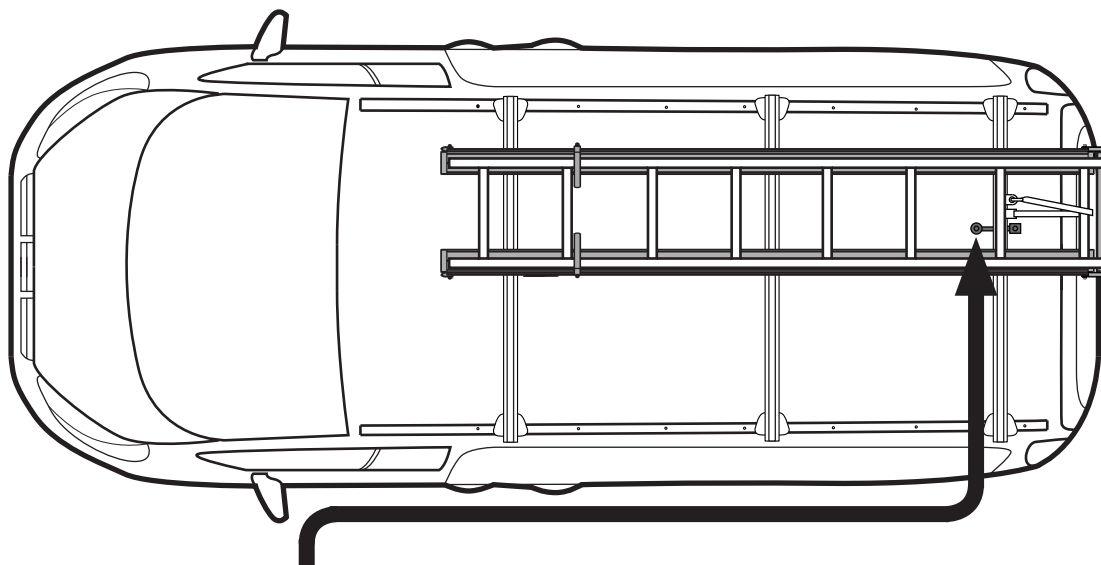


**Fc**



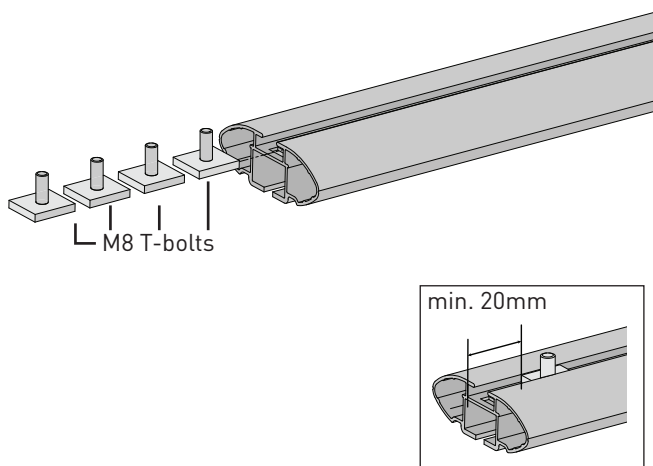
**Note**

RLLB cable lock can be installed (sold as separate). Refer RR-06 RLLB instructions for installation.



**VA Crossbar Note**

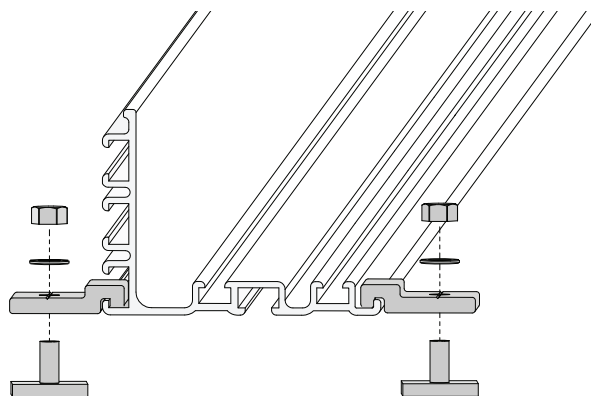
SUB0835 (sold separate) is required to fit the ladder rack to VA crossbars. Remove both front and rear rubber strips from Roof Racks. Take 4x M8 T bolt from SUB0755 and slide into roof rack channel of the crossbar. Front crossbar - x4 M8 T-bolt  
Middle crossbar - x4 M8 T-bolt  
Rear Crossbar - x4 M8 T-bolt  
NOTE: Minimum distance of T-bolt from edge is 20mm.



Leaving the Sliding Ladder Rack System in place, take 2x Locking Tab and secure on either side of Ladder Rail. Securely tighten with a 13mm Socket.

Repeat for each side and each bar.

Qty: 12x Locking Tab should be used.

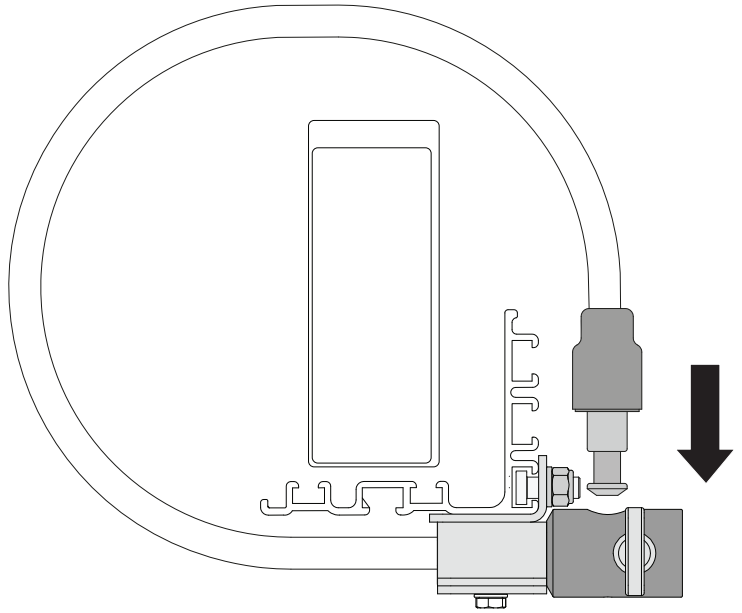


M8 washers and nyloc nuts found in SUB0835 kit.



**VA Crossbar Note**

If VA crossbars are in use, RLLR cable lock can be installed (sold separately). Refer to RLLR RR-01 instructions for installation.



**VA Crossbar Note**

With VA crossbars installed, SLS5 cable lock can be installed (sold separately). Refer to SLS5 RS99 instructions for installation.

