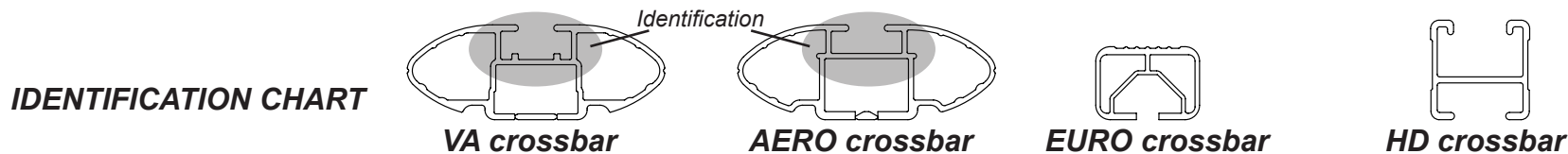




DK126 Rhino-Rack VA, Aero, Euro & HD crossbar instruction



Vehicle	Date	Crossbar	FRONT CROSSBAR					REAR CROSSBAR						
			Front Right Pad/Clamp	Front Left Pad/Clamp	Measurement strip length per side	Measurement strip length per side	Measurement Distance (x)	Foot plate arrow direction	Rear Right Pad/Clamp	Rear Left Pad/Clamp	Measurement strip length per side	Measurement strip length per side	Measurement Distance (x)	Foot plate arrow direction
Mitsubishi Lancer (CJ) 4dr sedan	10/07-	1260mm	M368 SUB0176	M368 SUB0176	167mm	54mm	982mm / 38,21/32"	OUT	M366 SUB0145	M366 SUB0145	162mm	49mm	972mm / 38,17/64"	OUT
			Arrow OUT						Arrow FORWARD					
Mitsubishi Lancer 4dr sedan	2008-	1260mm	M368 SUB0176	M368 SUB0176	167mm	54mm	982mm / 38,21/32"	OUT	M366 SUB0145	M366 SUB0145	162mm	49mm	972mm / 38,17/64"	OUT
			Arrow OUT						Arrow FORWARD					
Mitsubishi EVO X (CJ) 4dr sedan	2008-	1260mm	M368 SUB0176	M368 SUB0176	167mm	54mm	982mm / 38,21/32"	OUT	M366 SUB0145	M366 SUB0145	162mm	49mm	972mm / 38,17/64"	OUT
			Arrow OUT						Arrow FORWARD					
Mitsubishi Lancer Sport-back (CJ) 5dr hatch	10/08-	1260mm	M368 SUB0176	M368 SUB0176	167mm	54mm	982mm / 38,21/32"	OUT	M366 SUB0145	M366 SUB0145	162mm	49mm	972mm / 38,17/64"	OUT
			Arrow OUT						Arrow FORWARD					



DK126 Rhino-Rack VA, Aero, Euro & HD crossbar instruction

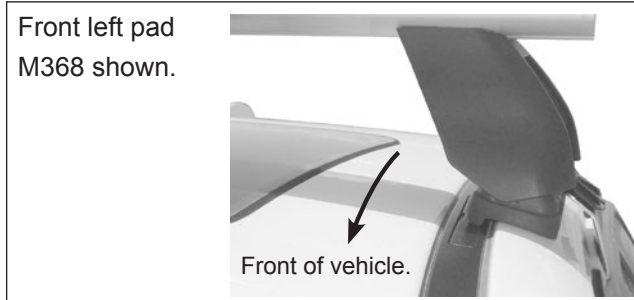
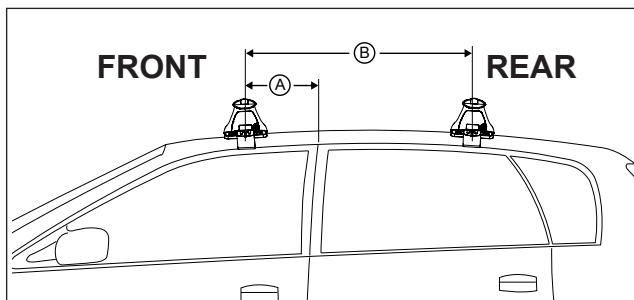
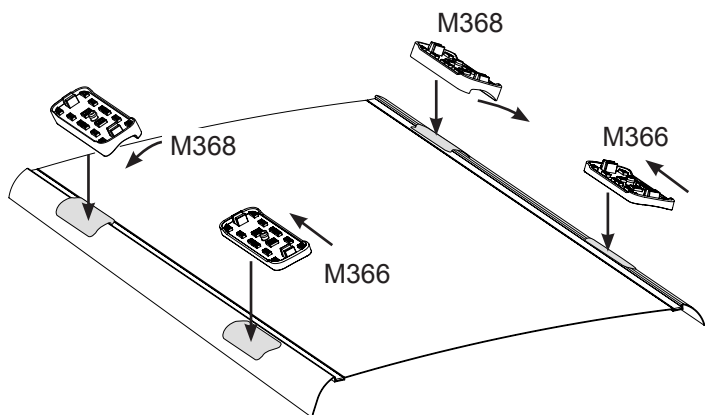
Measurement A: CENTRE of door jamb to CENTRE arrow of leg foot plate.

Measurement B: CENTRE of Front leg foot plate arrow to CENTRE of Rear leg foot plate arrow.

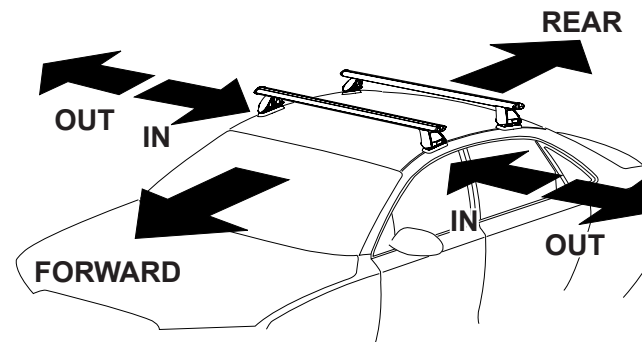
Carrying capacity: Roof rack is rated to 75kg. Please refer to manufacturers handbook for your vehicles maximum roof load capacity. Always use the lower of the two figures.

If your vehicle is not listed on this fitting instruction please refer to your countries Rhino-Rack web site for the latest information.

Pad M368, FRONT of vehicle, arrow outward.
Pad M366, REAR of vehicle, arrow forward.



Direction of Pad, Arrow and Foot Plates



VEHICLE	Date	Measurement A	Measurement B	Load Rating (includes racks 5kg/11lbs)
Mitsubishi Lancer (CJ) 4dr sedan	10/07-	300mm / 11,13/16"	690mm / 27,11/64"	50kg / 110lbs
Mitsubishi Lancer 4dr sedan	2008-	300mm / 11,13/16"	690mm / 27,11/64"	50kg / 110lbs
Mitsubishi EVO X (CJ) 4dr sedan	2008-	300mm / 11,13/16"	690mm / 27,11/64"	50kg / 110lbs
Mitsubishi Lancer Sportback (CJ) 5dr hatch	10/08-	300mm / 11,13/16"	690mm / 27,11/64"	50kg / 110lbs