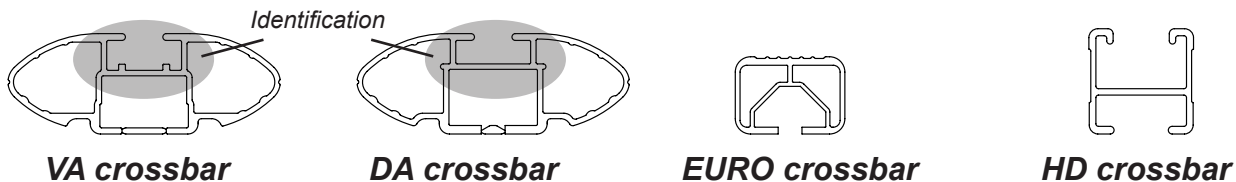




DK371/DK371H Rhino-Rack VA, DA, Euro & HD crossbar instruction

CONTROLLED

IDENTIFICATION CHART



Note: Due to vehicle build variance a water tight seal cannot be guaranteed.

Vehicle	Date	Crossbar	FRONT CROSSBAR					REAR CROSSBAR						
			Front Right Pad/ Clamp	Front Left Pad/ Clamp	Measurement strip length per side	Measurement strip length per side	Measurement Distance (x)	Foot plate arrow direction	Rear Right Pad/ Clamp	Rear Left Pad/ Clamp	Measurement strip length per side	Measurement strip length per side	Measurement Distance (x)	Foot plate arrow direction
Nissan Navara D40 ST & ST-X Dual Cab (Thai Build)	11/05 -	1375mm	M368 SUB0376		149mm	94mm	1061mm 41,49/64"	OUT	M368 SUB0376		144mm	89mm	1051mm 41,3/8"	OUT
			Arrow OUT						Arrow OUT					



DK371/DK371H Rhino-Rack VA, DA, Euro & HD crossbar instruction

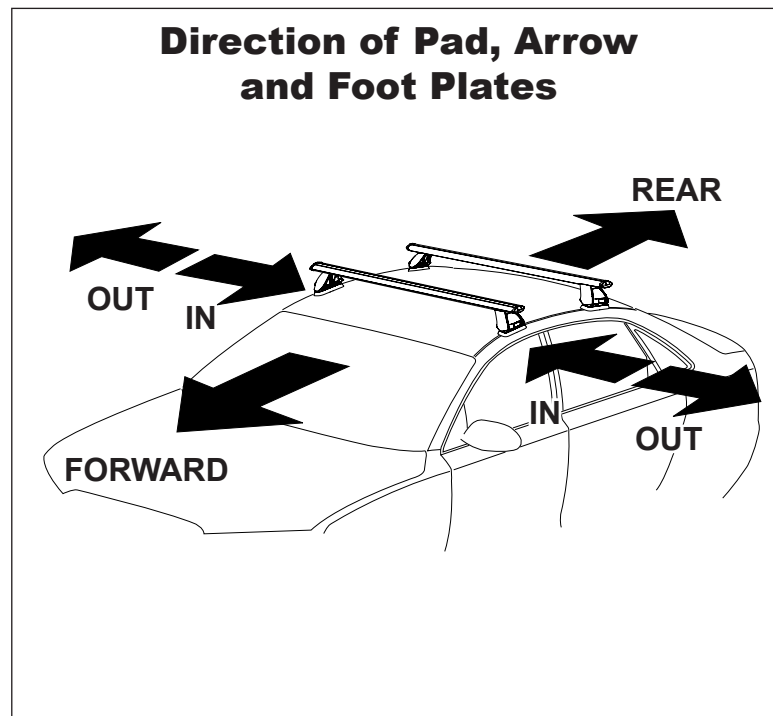
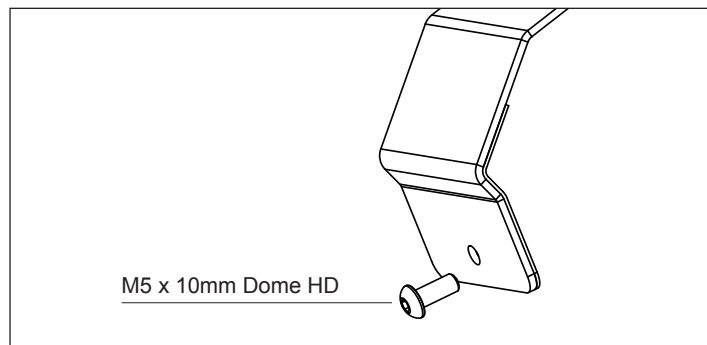
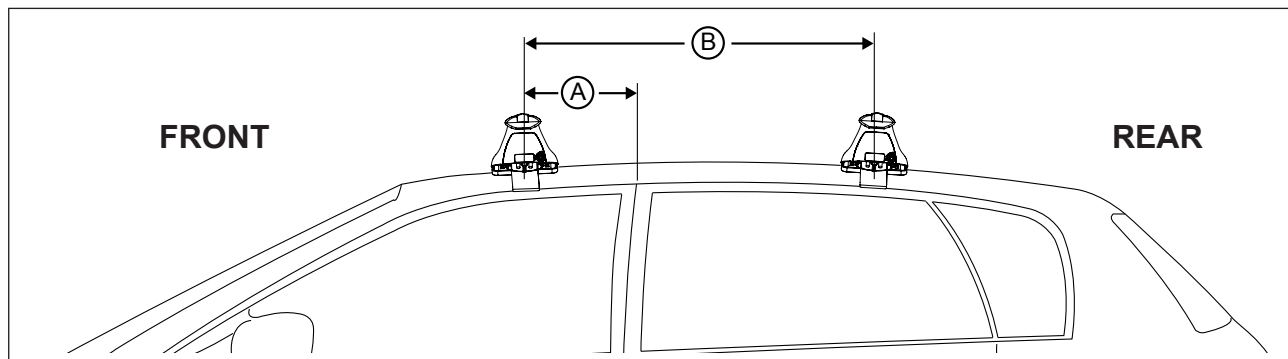
CONTROLLED

Measurement A: CENTRE of door jamb to CENTRE arrow of leg foot plate.

Measurement B: CENTRE of Front leg foot plate arrow to CENTRE of Rear leg foot plate arrow.

Carrying capacity: Roof rack is rated to 75kg. Please refer to manufacturers handbook for your vehicles maximum roof load capacity. Always use the lower of the two figures.

If your vehicle is not listed on this fitting instruction please refer to your countries Rhino-Rack web site for the latest information.



VEHICLE	Date	Measurement A	Measurement B	Load Rating (includes racks 5kg/ 11lbs)
Nissan Navara D40 ST & ST-X Dual Cab (Thai Build)	11/05 -	240mm / 9,29/64"	700mm / 27,9/16"	75kg/ 165lbs