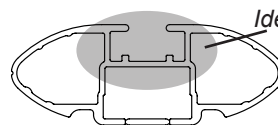


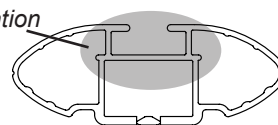


DK405 Rhino-Rack VA, DA, Euro & HD crossbar instruction

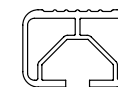
IDENTIFICATION CHART



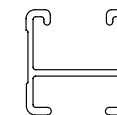
VA crossbar



DA crossbar



EURO crossbar



HD crossbar

		FRONT CROSSBAR						REAR CROSSBAR						
Vehicle	Date	Crossbar	Front Right Pad/ Clamp	Front Left Pad/ Clamp	Measurement strip length per side	Measurement strip length per side	Measurement Distance (x)	Foot plate arrow direction	Rear Right Pad/ Clamp	Rear Left Pad/ Clamp	Measurement strip length per side	Measurement strip length per side	Measurement Distance (x)	Foot plate arrow direction
Mazda3 4dr Sedan (3rd Gen)	2014 -	1260mm	M282 SUB0517	M281 SUB0517	164mm	51mm	976mm / 38,27/64"	OUT	M284 SUB0259	M283 SUB0259	146mm	33mm	940mm / 37,1/64"	OUT
			Pad Arrow FORWARD						Pad Arrow FORWARD					



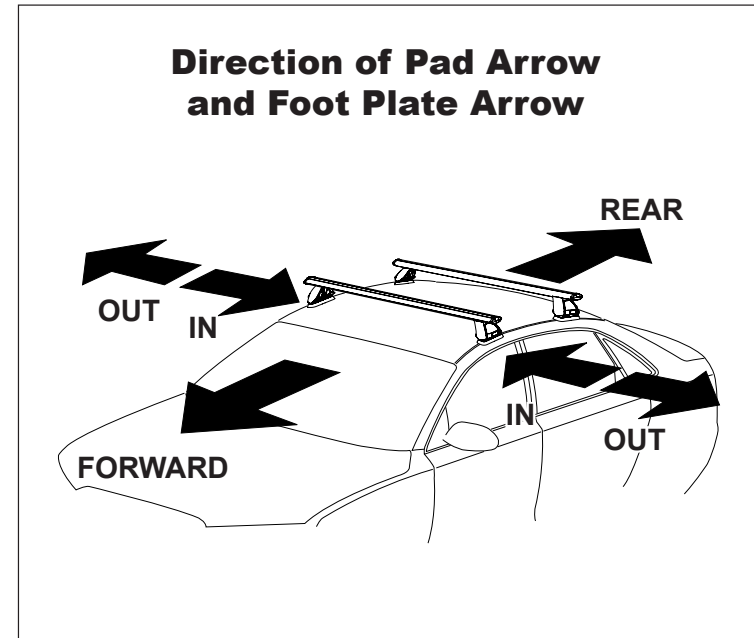
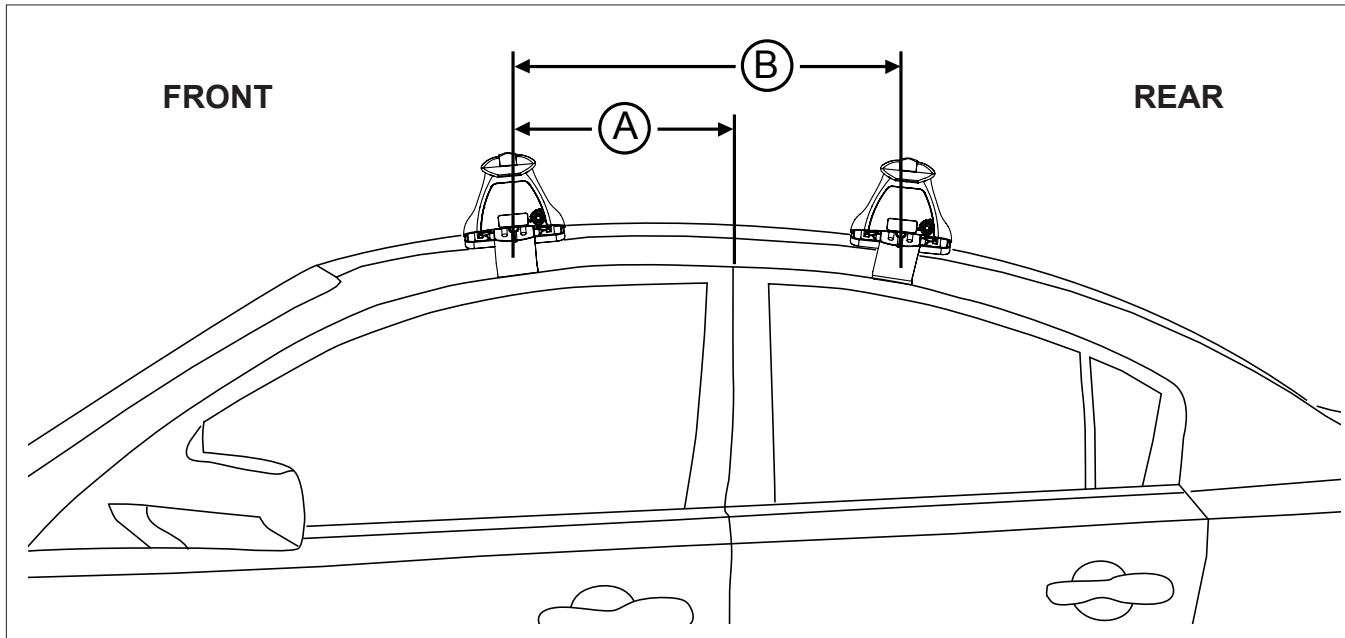
DK405 Rhino-Rack VA, DA, Euro & HD crossbar instruction

Measurement A: CENTRE of door jamb to CENTRE arrow of leg foot plate.

Measurement B: CENTRE of Front leg foot plate arrow to CENTRE of Rear leg foot plate arrow.

Carrying capacity: Roof rack is rated to 75kg. Please refer to manufacturers handbook for your vehicles maximum roof load capacity. Always use the lower of the two figures.

If your vehicle is not listed on this fitting instruction please refer to your countries Rhino-Rack web site for the latest information.



VEHICLE	Date	Measurement A	Measurement B	Load Rating (includes racks 5kg/ 11lbs)
Mazda3 4dr sedan (3rd Gen; BM)	2014 -	110mm / 4,21/64"	600mm / 23,5/8"	75kg / 165lbs