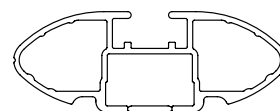
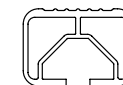




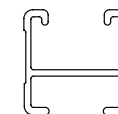
**CROSSBAR IDENTIFICATION**



**VA crossbar**



**EURO crossbar**



**HD crossbar**

Vehicle	Date	Crossbar	FRONT CROSSBAR					REAR CROSSBAR						
			Front Right Pad/Clamp	Front Left Pad/Clamp	Measurement strip length per side	Measurement strip length per side	Measurement Distance ( x )	Foot plate arrow direction	Rear Right Pad/Clamp	Rear Left Pad/Clamp	Measurement strip length per side	Measurement strip length per side	Measurement Distance ( x )	Foot plate arrow direction
Honda HR-V 4dr SUV	15-	1180mm	M282 SUB0662	M281 SUB0662	188mm	133mm	944mm / 37,11/64"	OUT	M802 SUB0660	M801 SUB0660	158mm	103mm	884mm / 34,13/16"	OUT
			Pad Arrow Forward						Pad Arrow Forward					



# Rhino Rack 2500 Series - DK454 instruction

**CONTROLLED**

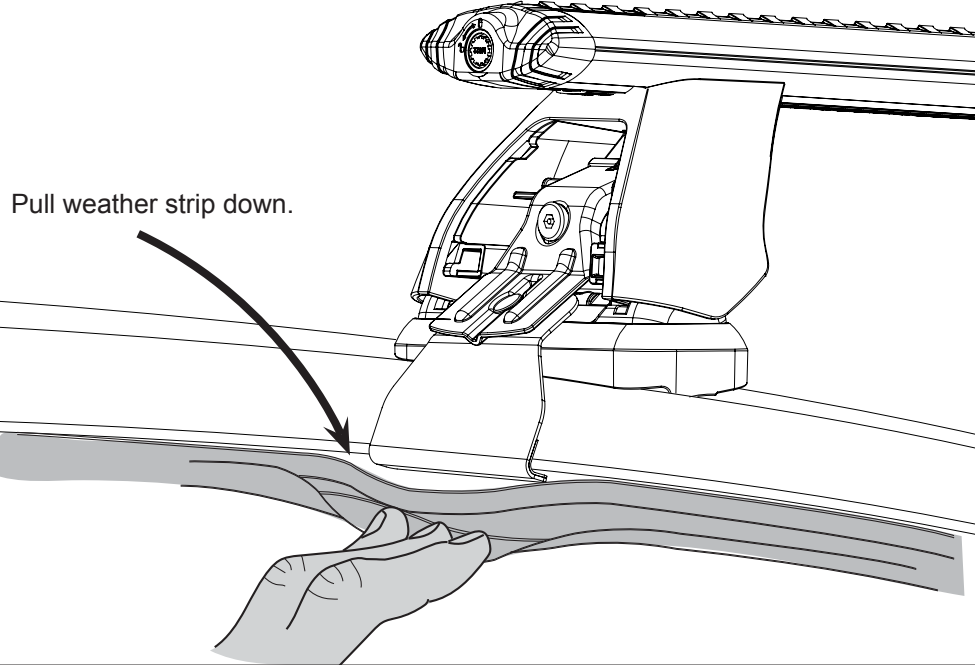
**Measurement A:** CENTRE of door jamb to CENTRE arrow of leg foot plate.

**Measurement B:** CENTRE of Front leg foot plate arrow to CENTRE of Rear leg foot plate arrow.

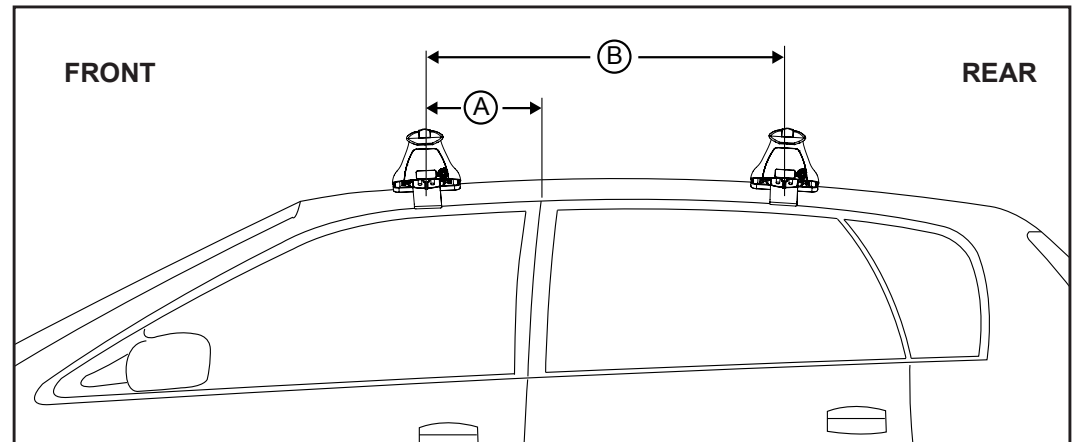
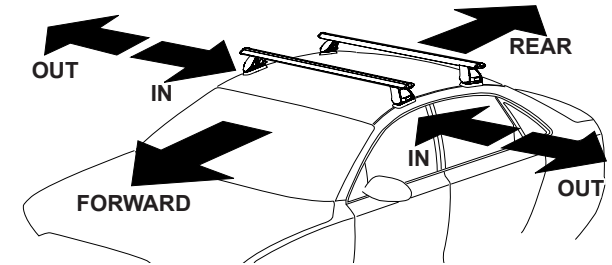
**Maximum Carrying Capacity:** Up to 75kg (165lbs) including the weight of the roof rack system evenly distributed over all crossbars. Please refer to your vehicle manufacturers handbook and Rhino-Rack vehicle selector web page ([www.rhinorack.com/fit-my-car/select-vehicle](http://www.rhinorack.com/fit-my-car/select-vehicle)) for maximum roof loading. Always use the lower of the two figures.

If your vehicle is not listed on this fitting instruction please refer to your countries Rhino-Rack web site for the latest information.

With doors open, gently pull the top weather strip down. Fit the two piece bracket assembly so the lower bracket sits above the rubber and hooks the radius of the vehicle roof. Fit the M8 attachment screw. Repeat for each side, front & rear of vehicle.



## Direction of Pad Arrow and Foot Plate Arrow



VEHICLE	Date	Measurement A	Measurement B	Load Rating (includes racks 5kg/ 11lbs)
Honda HR-V 4dr SUV	15-	170mm / 6,45/64"	750mm / 29,17/32"	75kg / 165lbs