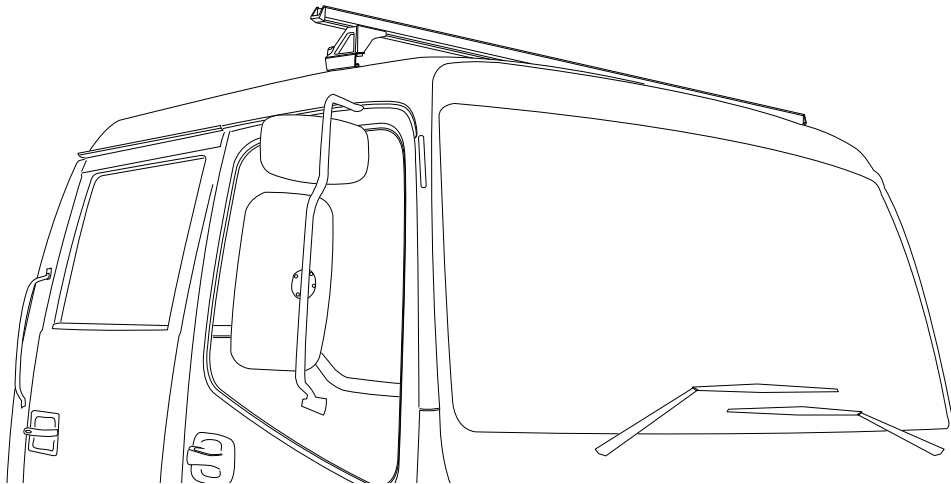




RHINO-RACK

Rhino Crossbar System - ISUZU and Mitsubishi Fuso Trucks

Important: Please read these instructions carefully prior to installation.
Please refer to your fitting instruction to ensure that the roof racks are installed in the correct locations.
Check the contents of kit before commencing fitment and report any discrepancies.
Place these instructions in the vehicle's glove box after installation is complete.



Care Instruction: Wash vehicle roof especially the mounting points prior to installation.

Important Information

Maximum carrying capacity evenly distributed: One Crossbar 40kg/ 88lbs. Two Crossbars 100kg/ 220lbs.

Recommendations:

It is essential that all bolt connections be checked after driving a short distance when you first install your crossbars. Bolt connections should be checked again at regular intervals (once a week is enough, depending on road conditions, usage, loads carried and distances travelled). You should also check the crossbars each time they are re-fitted.

Make sure to fasten your load securely. Please ensure that all loads are evenly distributed and that the centre of gravity is kept as low as possible.

Use only non-stretch fastening ropes or straps.

Caution:

The handling characteristics of the vehicle changes when you transport a load on the roof. For safety reasons we recommend you exercise extreme care when transporting wind-resistant loads. Special consideration must be taken into account when cornering and braking.

Please remove crossbars when putting vehicle through an automatic car wash.

Load Ratings:

Maximum permissible load is 100kg/ 220lbs per pair of crossbars (include the weight of the crossbars, 5kg/ 11lbs). When crossbars are to be used in off-road conditions, please build a safety factor of 1.5 into this load limit, 26kg/ 57lbs for one crossbar, 66kg/ 145lbs for two crossbars. Although the crossbars are tested and approved to AS1235-2000, road conditions can be much more rigorous. However, increasing the number of crossbars does not increase the vehicles maximum permissible roof loading.

Note for Dealers and Fitters:

It is your responsibility to ensure instructions are given to the end user or client.

Rhino-Rack
3 Pike Street, Rydalmere,
NSW 2116, Australia.
(Ph) (02) 9638 4744
(Fax) (02) 9638 4822

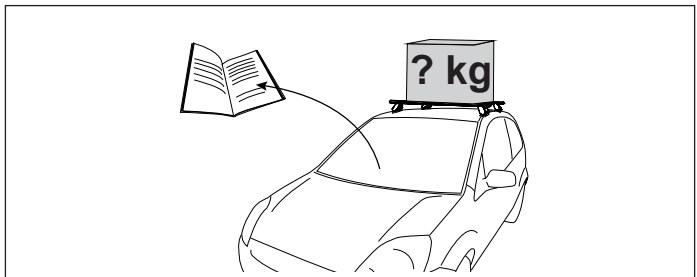
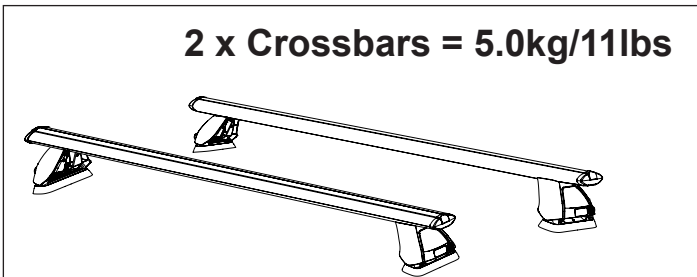
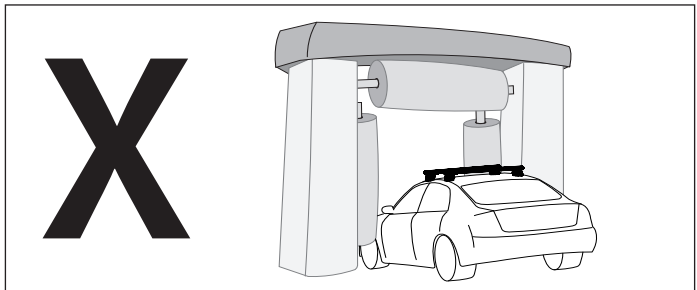
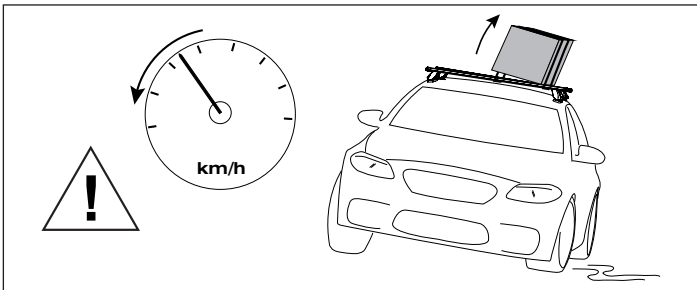
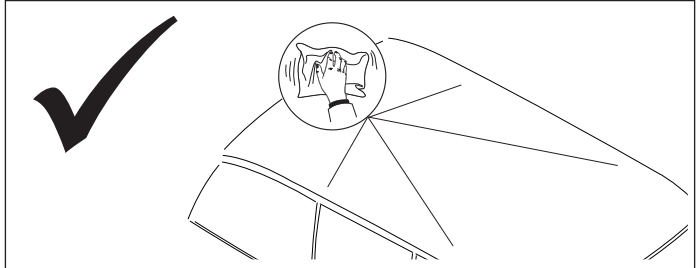
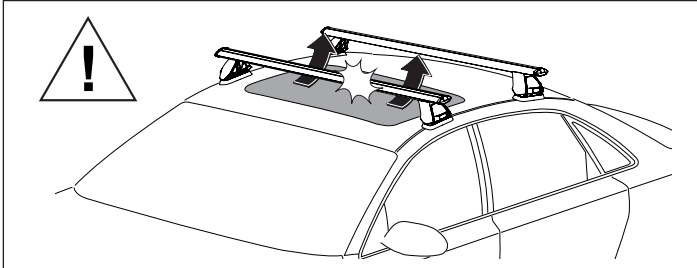
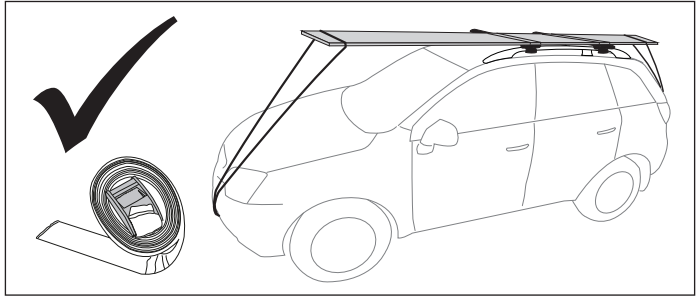
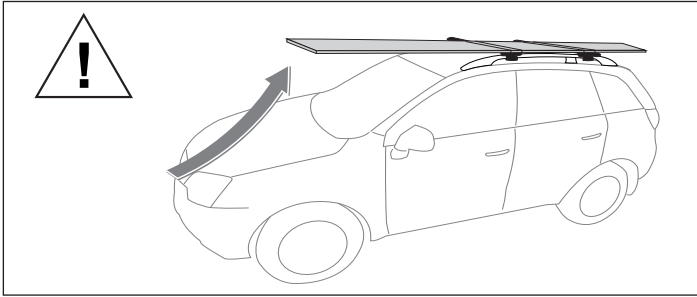
Document No: RR178
Prepared By: Craig Jones
Authorised By: Chris Murty

Issue No: 03
Issue Date: 27/07/2015

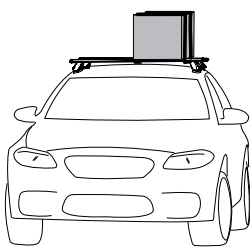
These instructions remain the property of Rhino-Rack Australia Pty Ltd and may not be used or changed for any other purpose than intended.



Rhino Crossbar System - ISUZU and Mitsubishi Fuso trucks



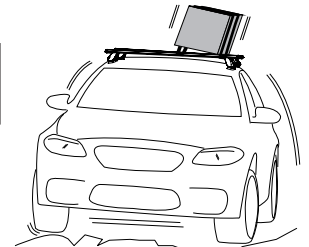
When these roof racks are to be used on a vehicle that is driven off sealed roads, the manufacturer maximum roof load rating (to be found in the vehicles User Manual) should be **divided by 1.5**. Do not forget to subtract the complete crossbar system weight from your maximum carrying capacity.



100kg/220lbs
(Urban Road)

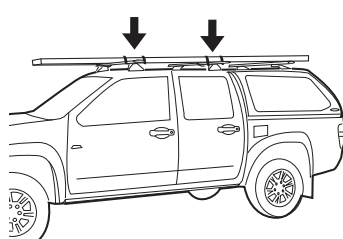
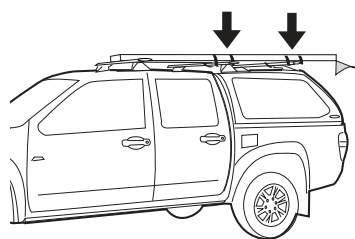
=

66kg/145lbs
(Off Road)

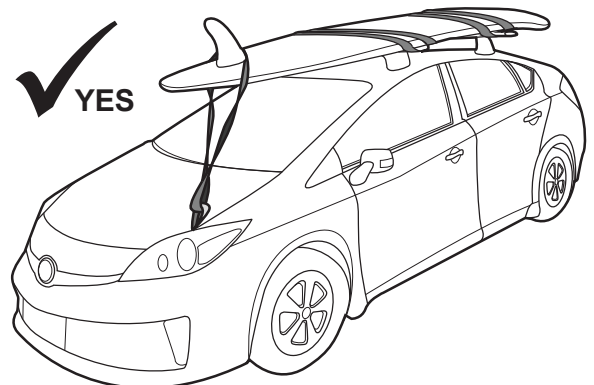


WARNING! Important Load Carrying Instructions

With utility vehicles, the cabin and the canopy move independently. Roof racks and vehicle can be damaged if the item transported is rigidly fixed at points on both the cabin and canopy. Instead, rigidly fix to either the cabin roof racks or the canopy roof racks.



Paddle/ Surfboards should be fixed to the front of the vehicle.

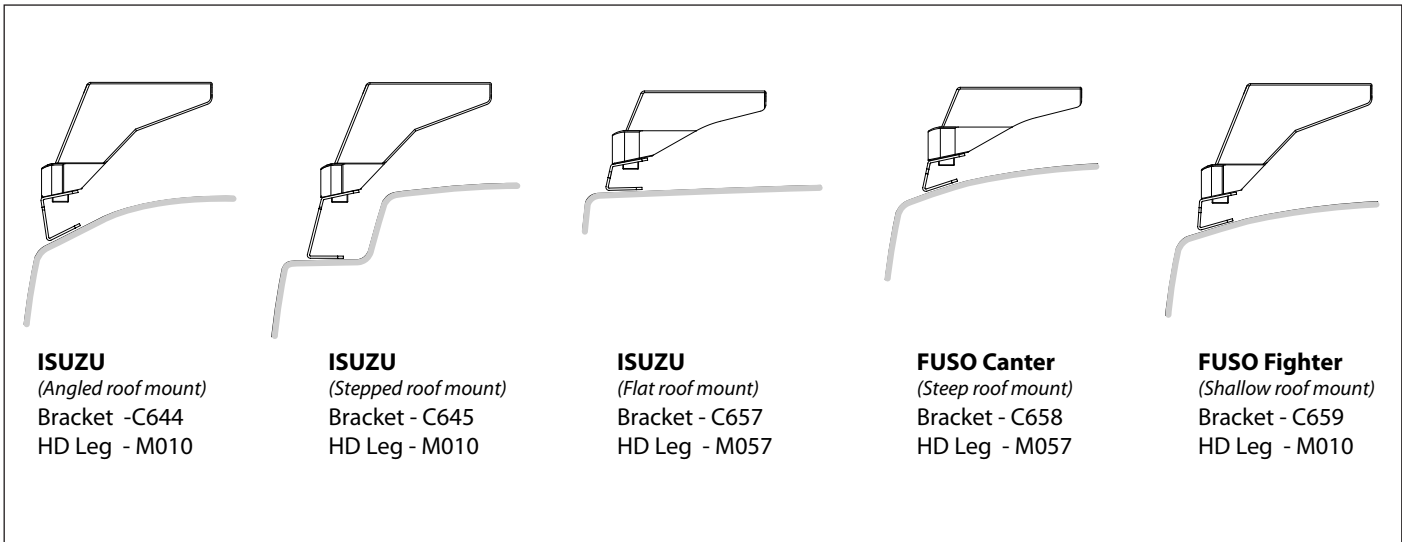
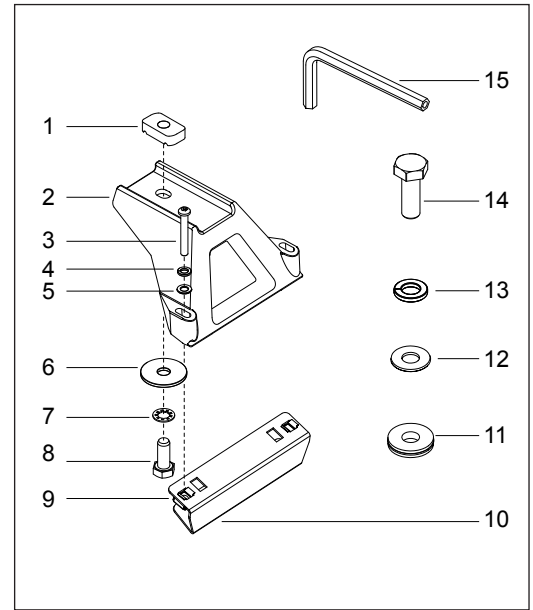




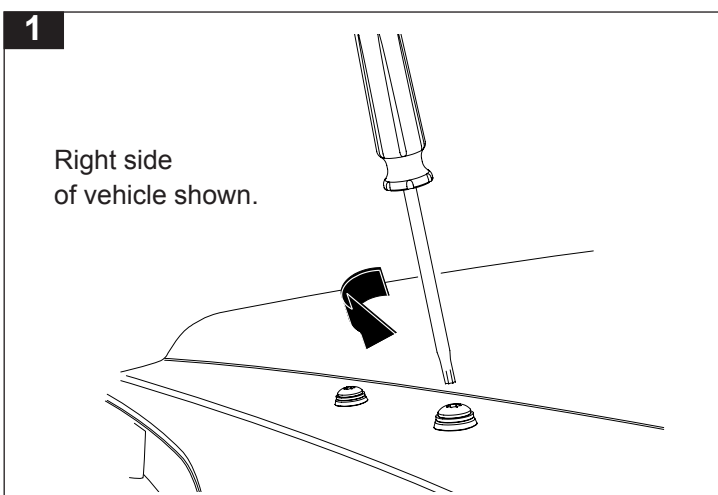
Rhino Crossbar System - ISUZU and Mitsubishi Fuso trucks

Parts List

Item	Component Name	Qty	Part No.
1	M10 Channel Nut	2	N024
2	Rhino Heavy Duty Leg	2	<i>diagram below</i> M010 / M057
3	M6 x 35mm Security Screw	4	B092
4	M6 Spring Washer	4	W004
5	M6 x 12.5mm Flat Washer	4	W003
6	M10 x 38 Flat Washer	2	W022
7	M10 Shake-proof Washer	2	W021
8	M10 x 20 Hex Bolt	2	B003
9	M6 Cage Nut	4	N017
10	Stainless Steel Leg Bracket	2	<i>diagram below</i> C644 - C659
11	M8 Foam/Copper Washer	4	C372
12	M8 Flat Washer	4	W036
13	M8 Spring Washer	4	W019
14	M8 x 22mm Hex Bolt	4	B076
15	5mm Security Allen Key	1	H021
16	Fitting Instruction	1	RR-178



Tools Required:		
5mm Security Allen key, provided in kit.	16mm or 5/8" spanner. 13mm spanner. Rubber mallet.	Tape measure. Torx bit T40. Phillips Head screwdriver.

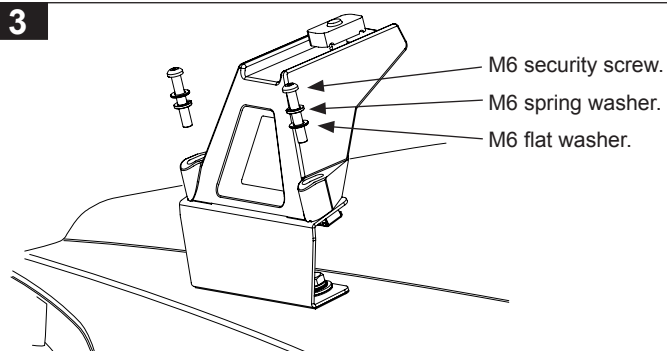
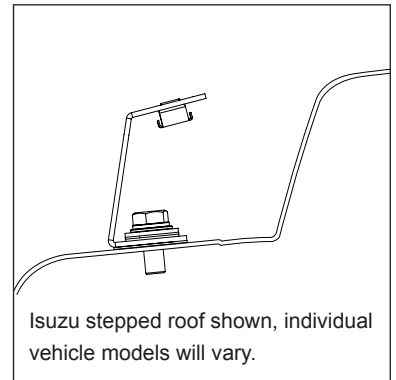
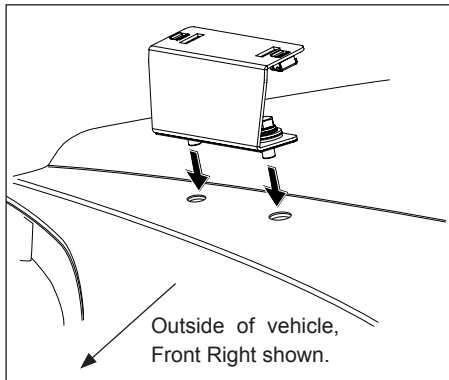
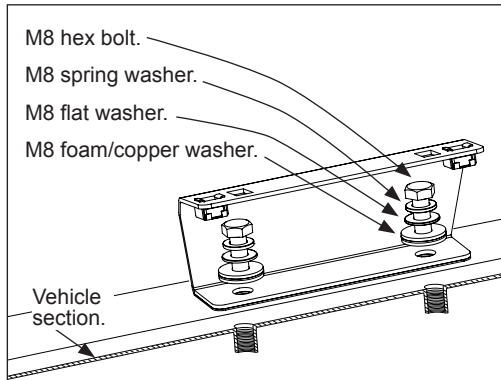


Remove Screws:
Remove screws on top of the cab using either a **Torx bit No.40** or **Phillips head screwdriver** depending on vehicle brand and model.



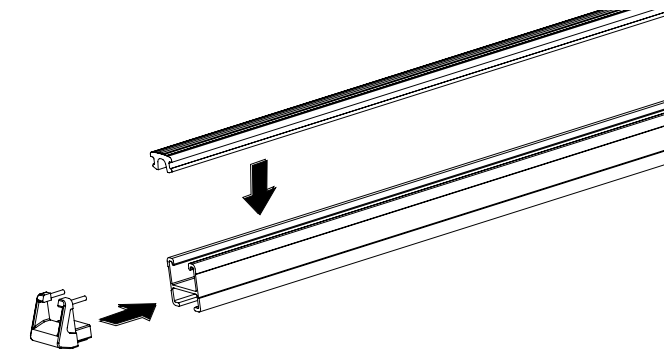
Rhino Crossbar System - ISUZU and Mitsubishi Fuso trucks

2 Opening of the bracket faces inside of vehicle. Refer diagram below for washer and nut placement.
Tighten M8 bolts to 6-7 Nm.

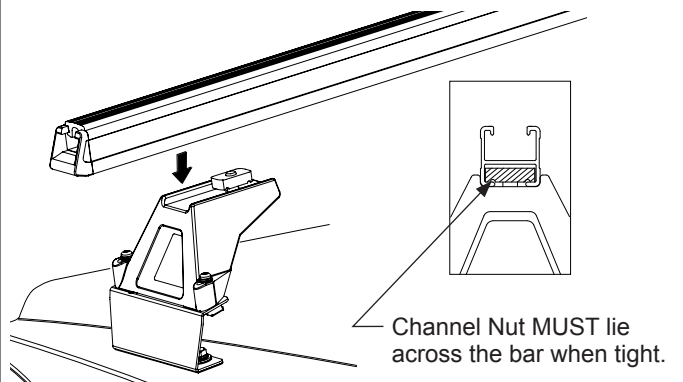


Attach Leg:
Attach the screw and washer assembly as shown. Finger tighten the support leg attachment bolts, as final adjustment and tightening occurs later.

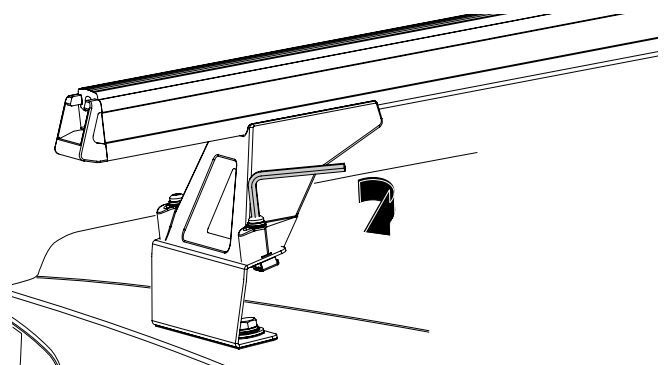
4 End Caps & Buffer Strip:
Insert rubber buffer strip into top of the crossbar. Fit end caps into the crossbar. A rubber mallet maybe required to knock in the end caps. Heavy Duty bar shown.



5 Attach Crossbar:
Place crossbar onto support legs. Push the M10 bolt up and turn so the channel nut is fully located across the bar. **Leave M10 bolts loose at this stage.**



6 M6 Security screws:
Tighten M6 Security screws to 3-4Nm. **DO NOT OVER TIGHTEN.**



7 Crossbar overhang:
Ensure the crossbar overhang (A) is equal on both sides, re-adjust if required. Tighten M10 bolts to 10-12 Nm. **DO NOT OVER TIGHTEN.**

