



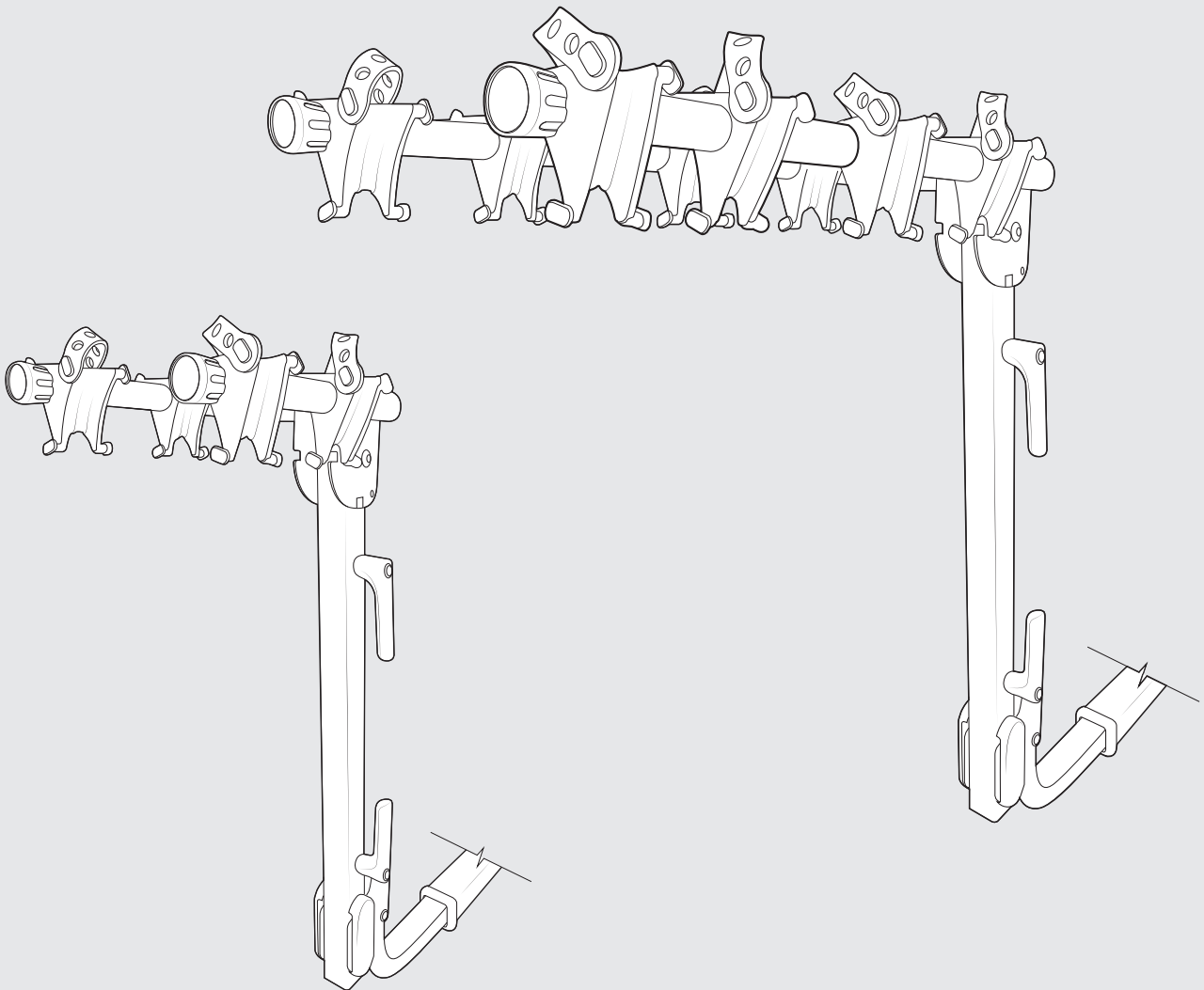
RHINO-RACK®

2 / 4 Bike Hitch Mount Carrier RBC045 / RBC053

Important:

1. Check the Rhino-Rack website to ensure you have the latest issue of these instructions.
2. Please refer to your fitting instruction to ensure that the accessory is installed in the correctly.
3. Check the contents of kit before commencing fitment and report any discrepancies.
4. Place these instructions in the vehicle's glove box after installation is complete.
5. These instructions must be followed for warranty to be upheld.

Fit Time: 20 min



Rhino-Rack AUSTRALIA
22A Hanson Pl,
Eastern Creek, NSW, 2766
(02) 8846 1900
rhinorack.com.au

Rhino-Rack USA
Unit D, 2450 Airport Blvd,
Aurora, CO, 80011
877-744-6622
rhinorack.com

Rhino-Rack CANADA
19100 Airport Way
Pitt Meadows, BC V3Y OE2
rhinorack.ca

Document No: R1181
Issue No: 04
Issue Date: 02/08/2021

Hitch Mount Bike Carrier Instructions

Carrying Capacity

Maximum Carrying Capacity:

Ensure that all loads are evenly distributed and that the centre of gravity is kept as low as possible.



TOTAL ALLOWANCE

RBC045

Up to
30kg/66lbs

RBC053

Up to
60kg/132lbs

Warning

- Do not attempt to fit the accessory to your vehicle unless you fully understand these fitting instructions. Please direct any questions regarding fitting to the dealer from where the product was purchased.
- Off-road conditions can be much more rigorous. Extreme care must be taken in off road conditions.
- Always ensure you fasten your load securely.
- **Bike carrier must be removed when vehicle is put through an automatic car wash.**
- The visibility of surroundings through reverse cameras may also be impacted.
- Be cautious when reversing.
- Bikes should be removed when raising and lowering carrier.

Use only non-stretch fastening ropes or straps. For use on vehicle hitch only - DO NOT INSTALL to rear of recreational vehicles.

In some states it may be against the law to obstruct clear view of lamps and registration plates.

It is suggested that the Rhino-Rack Number Plate Holder (RBCA011) be purchased.

In service maintenance checks

- All bolted connections should be checked after driving a short distance when you first install your bike carrier.
- All bolted connections should be checked again at regular intervals (every 1000k/621mi) is recommended, depending on road conditions, usage, loads and distances travelled). All bolted connections should be checked each time they are re-fitted.

Torque Settings

Unless stated otherwise in these instructions, all fasteners should be set to the following torque settings:

M6: 4-5Nm (3-4lbs/ft),

M8: 8-10Nm (6-7.5lbs/ft)

M10: 16-18Nm (12-13lbs/ft).

Sensitivity to Crosswinds, Behaviour in Curves and Braking.

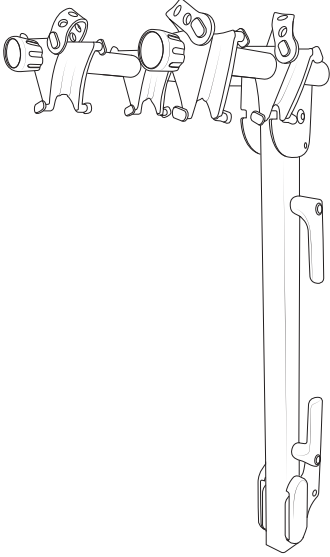
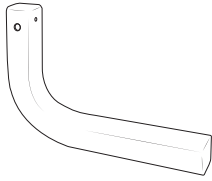
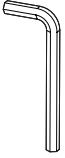
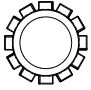

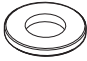


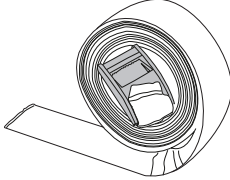
Remember that the handling characteristics of your vehicle will change when transporting a load on the roof or at the rear. Exercise extreme care when transporting wind-resisting loads; special consideration must be taken into account when braking.

Note for Dealers and Fitters

It is your responsibility to ensure these fitting instructions are given to the end user or client. These instructions remain the property of Rhino-Rack Australia Pty. Ltd. and may not be used or changed for any other purpose than intended.

Hitch Mount Bike Carrier Instructions

RBC045 Parts List

<p>2 Bike Carrier Body</p>  <p>A x1</p>	<p>Lower arm</p>  <p>B x1</p>	<p>Allen Key (Short)</p>  <p>C x1</p>	
<p>Shake Proof Washer</p>  <p>F x1</p>	<p>19mm Flat Washer (1/2")</p>  <p>G x3</p>	<p>13mm Flat Washer (5/16")</p>  <p>H x1</p>	<p>Nyloc Nut</p>  <p>I x1</p>
<p>Dome Head Screw</p>  <p>J x1</p>	<p>118mm Dome Head Screw (3")</p>  <p>K x1</p>	<p>Retention Strap</p>  <p>L x1</p>	<p>Spanner</p>  <p>M x1</p>
<p>R-Clip</p>  <p>N x1</p>	<p>Instruction</p>  <p>O x1</p>		

Hitch Mount Bike Carrier Instructions

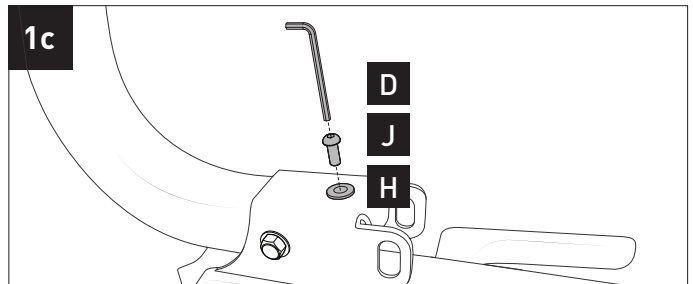
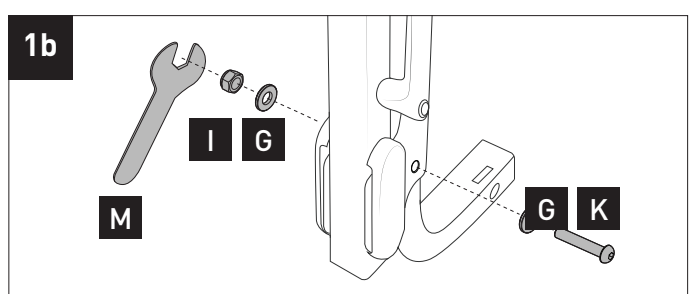
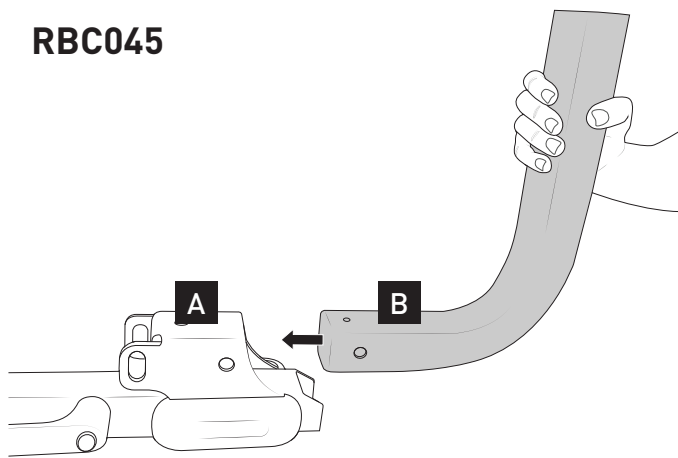
RBC053 Parts List

<p>4 Bike Carrier Body</p>  <p>A x1</p>	<p>Lower arm</p>  <p>B x1</p>	<p>Allen Key (Short)</p>  <p>C x1</p>	
<p>Shake Proof Washer</p>  <p>F x1</p>	<p>19mm Flat Washer (1/2")</p>  <p>G x5</p>	<p>13mm Flat Washer (5/16")</p>  <p>H x1</p>	<p>Nyloc Nut</p>  <p>I x2</p>
<p>Dome Head Screw</p>  <p>J x1</p>	<p>118mm Dome Head Screw (3")</p>  <p>K x2</p>	<p>Retention Strap</p>  <p>L x1</p>	<p>Spanner</p>  <p>M x1</p>
<p>R-Clip</p>  <p>N x1</p>	<p>Instruction</p>  <p>O x1</p>		

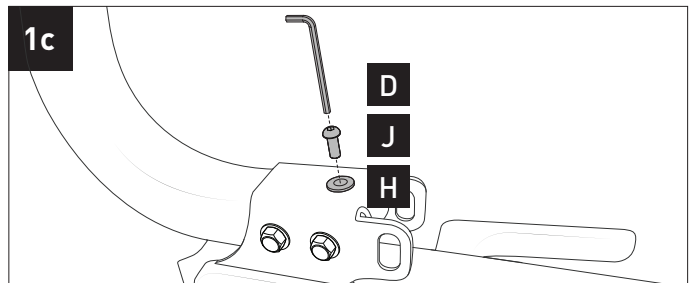
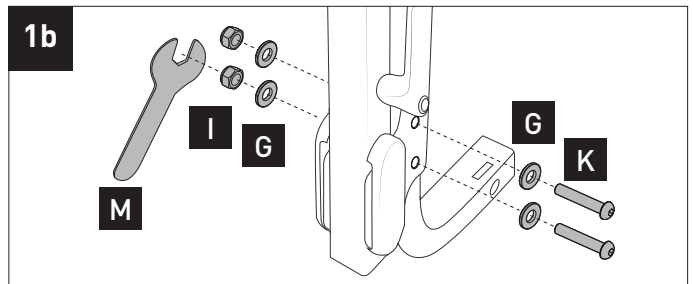
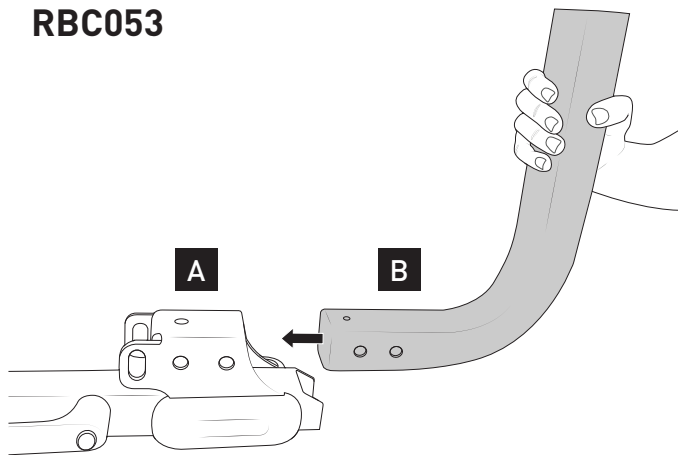
Hitch Mount Bike Carrier Instructions

1a Fix lower arm into the main body

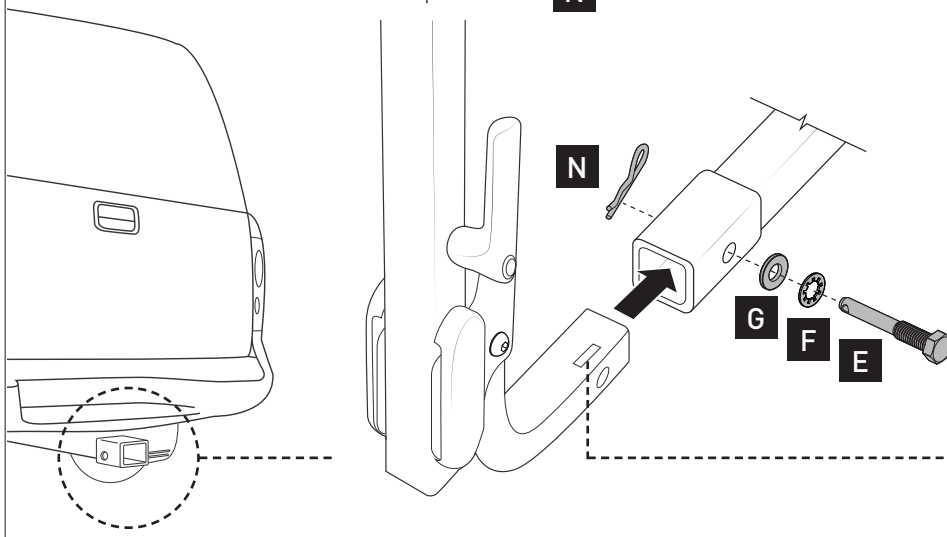
RBC045



RBC053



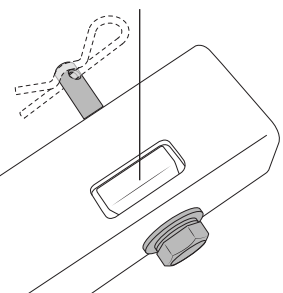
2 Insert the assembled carrier body into the vehicle's Hitch Mount Receiver. Install hardware and lock in place with **N**



Insert **E** on the same side as the anti rotation block.

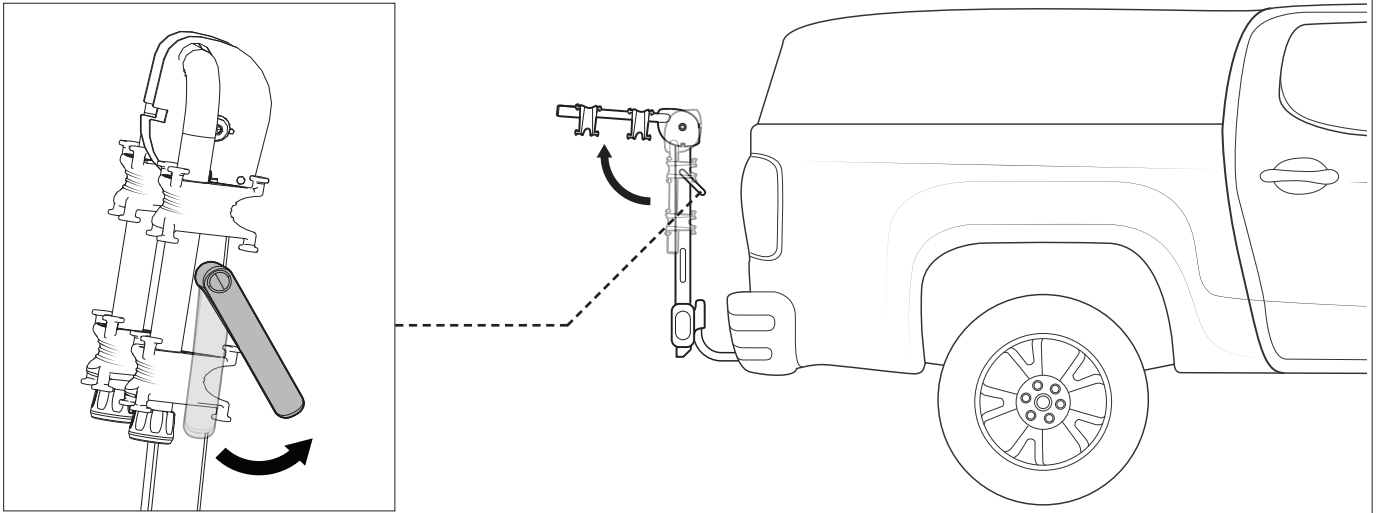
When installed correctly, the block will raise up within the hitch and the pin will tighten.

Anti rotation block.

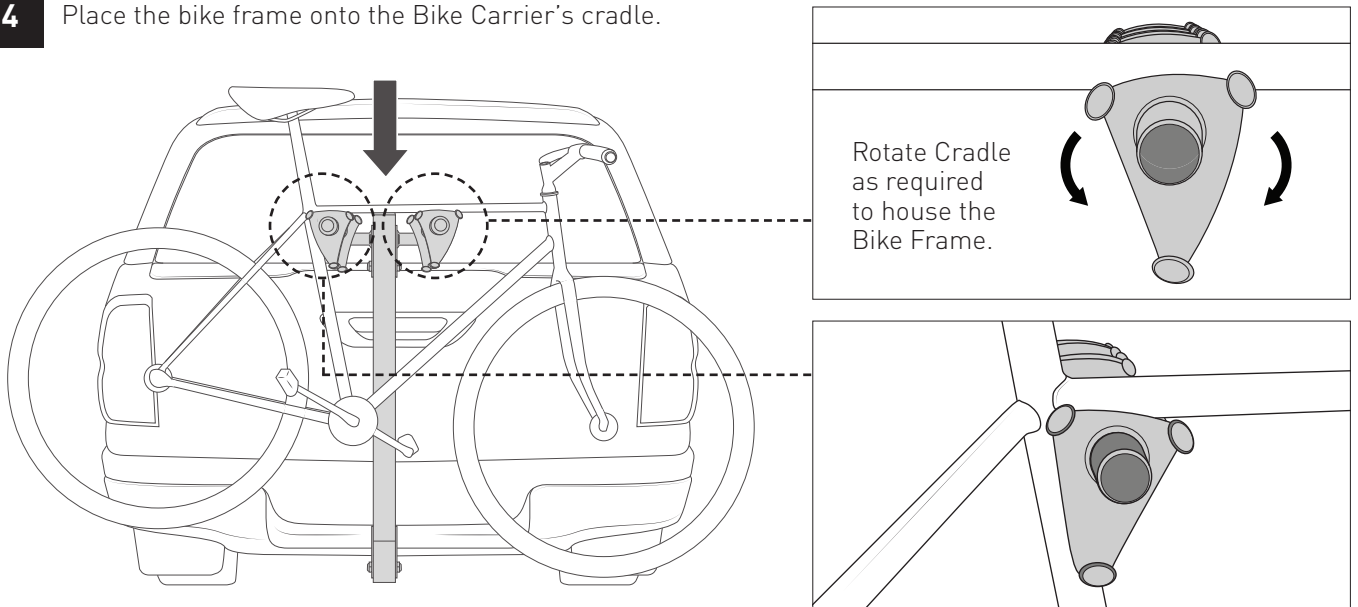


Hitch Mount Bike Carrier Instructions

- 3** Pull the top lever to disengage the lock holding the bike cradles in place. Lift the cradles up to their correct position. Release the lever and cradles will fix in place.



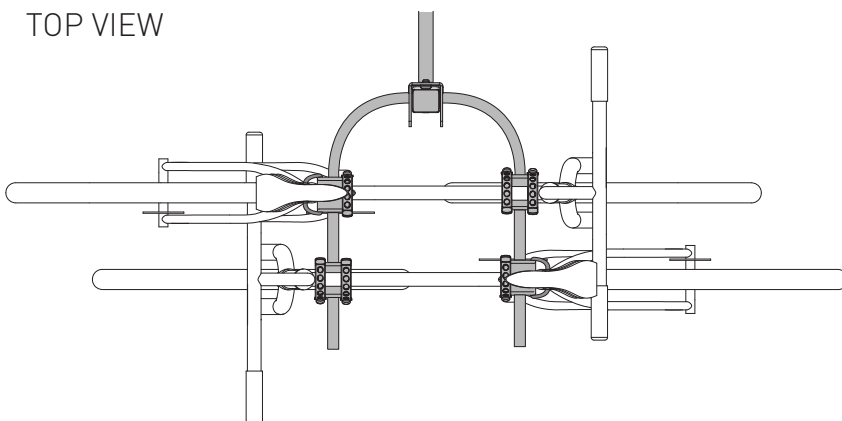
- 4** Place the bike frame onto the Bike Carrier's cradle.




NOTE When fixing more than 1 bike, face bike in alternate directions as it will ensure the bikes will not clash together during travel.
Adjust fork positions to ensure there is no obstruction of view to lamps and registration plates.

RBC045

TOP VIEW



 **1** = 1x 15kg (33lbs) MAX

 **2** = 1x 15kg (33lbs) MAX

Hitch Mount Bike Carrier Instructions

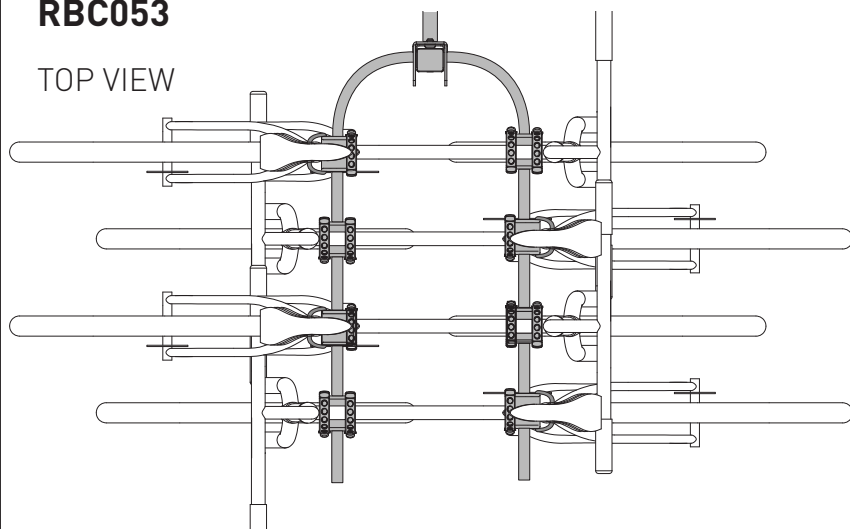
NOTE

When fixing more than 1 bike, face bike in alternate directions as it will ensure the bikes will not clash together during travel.


Adjust fork positions to ensure there is no obstruction of view to lamps and registration plates.

RBC053


TOP VIEW



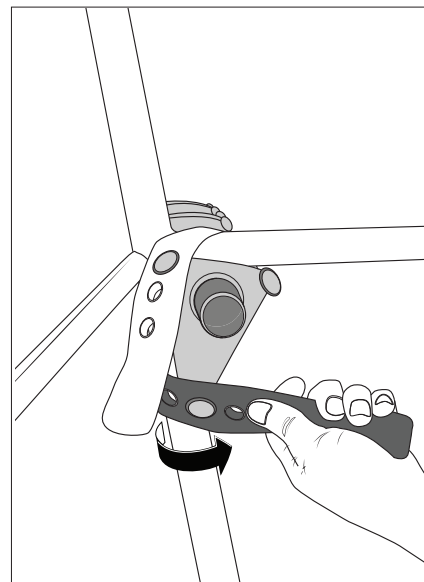
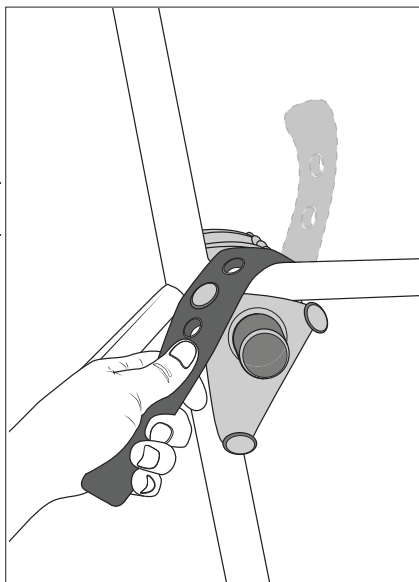
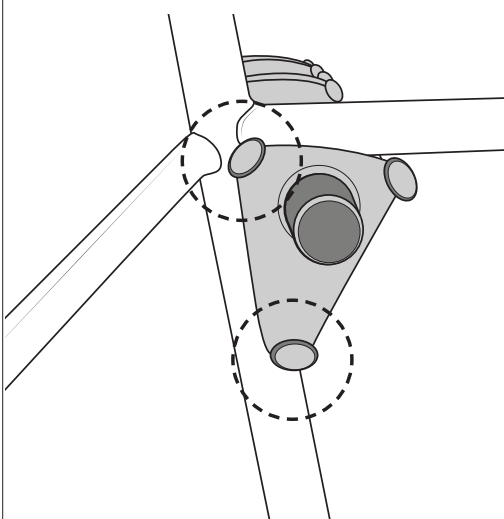
 **1** = 1x 15kg (33lbs) MAX

 **2** = 1x 15kg (33lbs) MAX

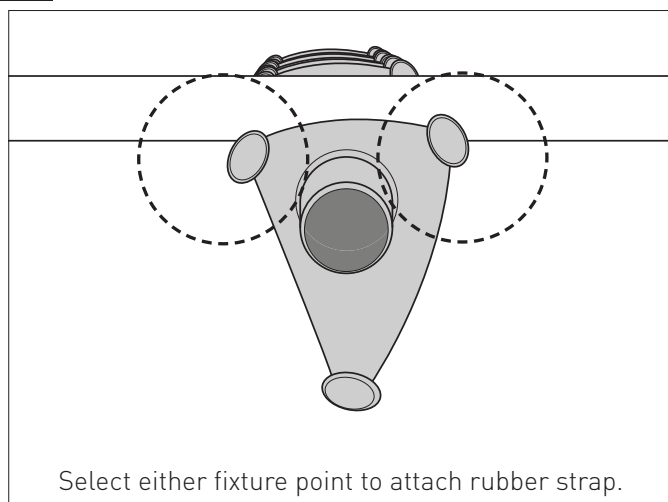
 **3** = 1x 15kg (33lbs) MAX

 **4** = 1x 15kg (33lbs) MAX

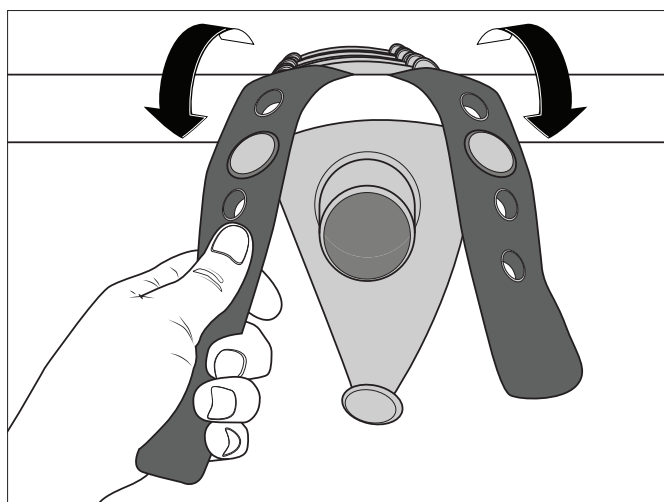
5 Fix the rear cradle to rear bike frame



6 Fix the front cradle to bike frame. Note: The front cradle only requires one rubber strap.



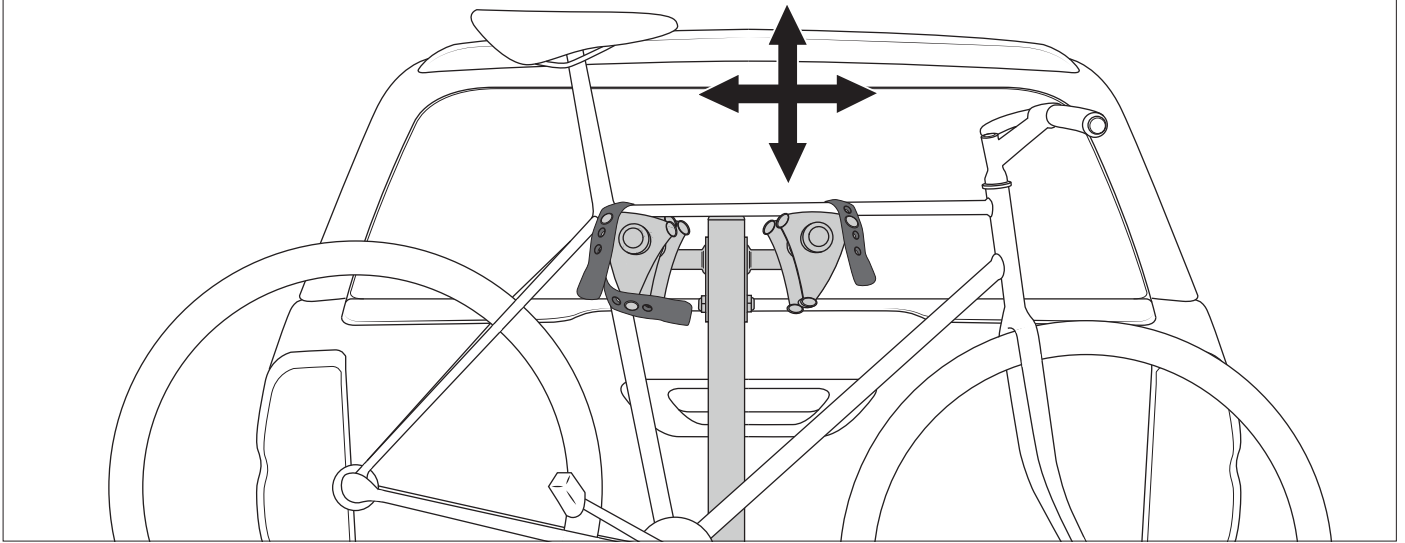
Select either fixture point to attach rubber strap.



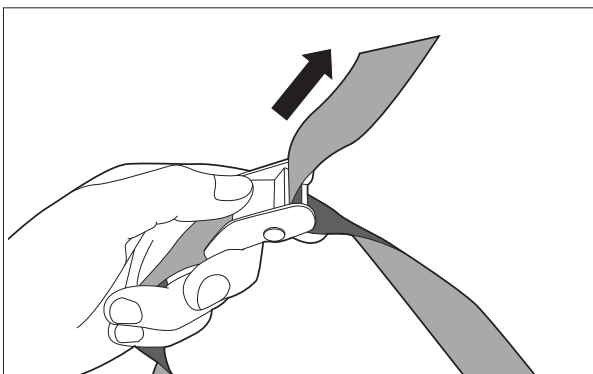
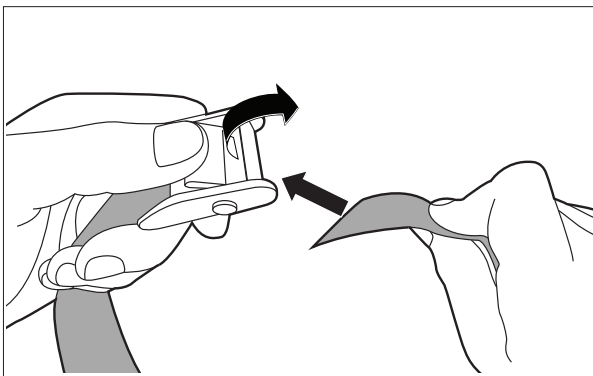
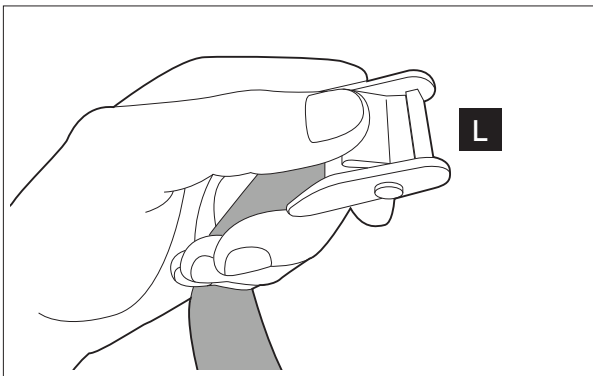
Hitch Mount Bike Carrier Instructions

7

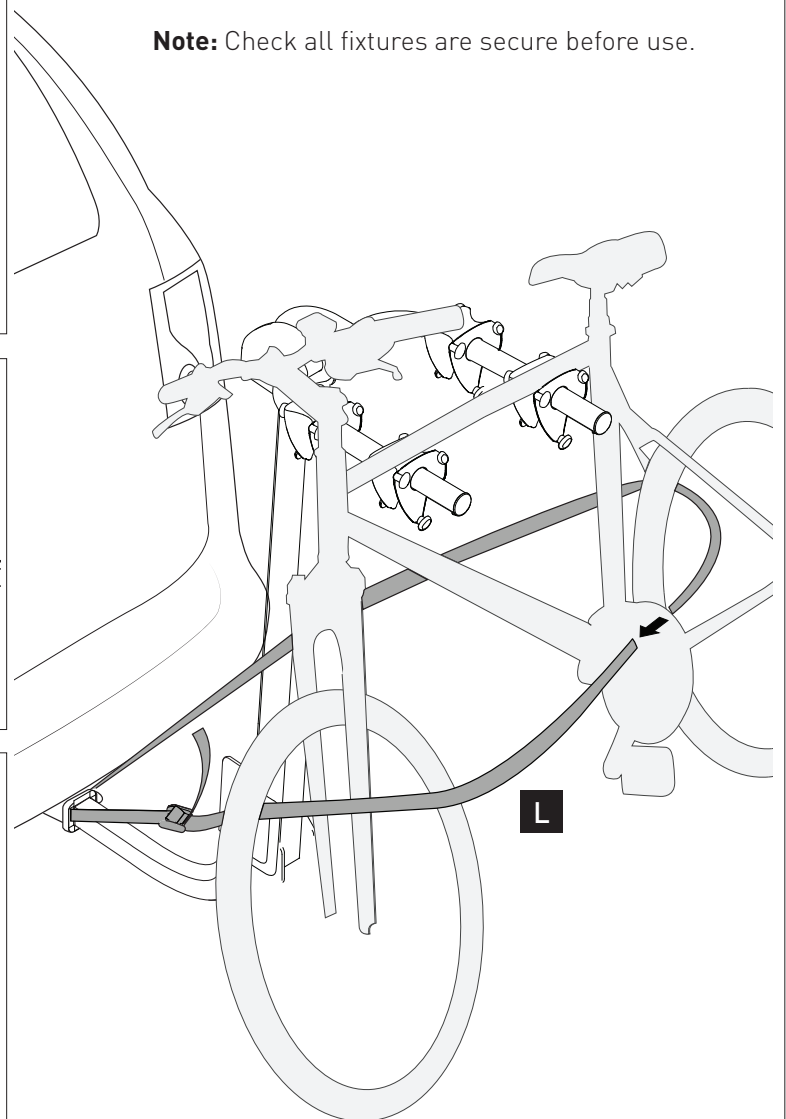
Check and adjust bikes and straps to ensure all bikes are secure



8 Wrap the strap through both wheels of the bike and down to a Tow Point on the vehicle (Tow Ball or Hitch). This will fix the bike in place and provide additional safety in the event of a failure.

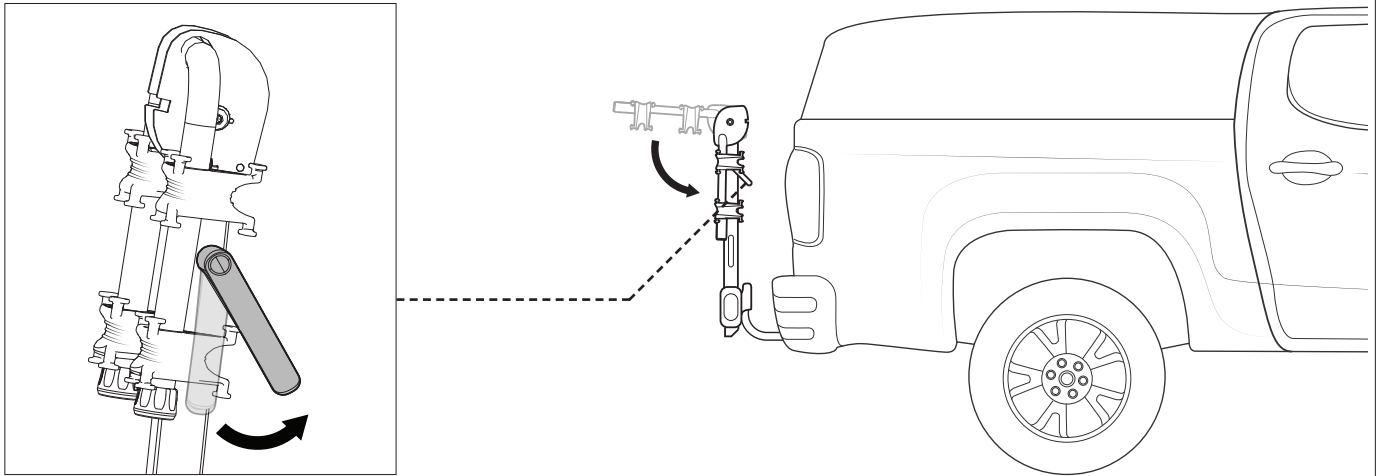


Note: Check all fixtures are secure before use.



Hitch Mount Bike Carrier Instructions

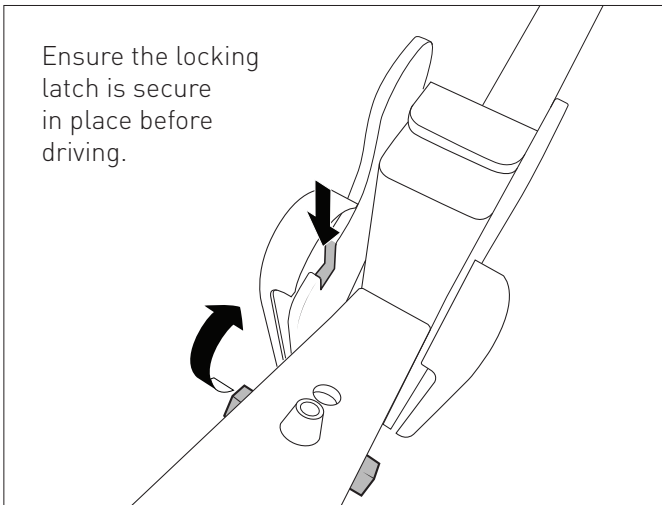
- 9** When the carrier is not in use, lift the locking cam on top of the bike carrier. This will unlock the carrier arms. Drop the arms, there will be an audible 'click' when the arms reach their intended position.



10 WHEN OPENING REAR DOOR/HATCH

1. Lift the locking cam at the bottom of the bike carrier.
2. The unit will drop 45 degrees allowing access to the vehicle.
- 3. Return to an upright position**
- 4. Lock the locking cam**

Ensure the locking latch is secure in place before driving.



Note: Carrier may interfere with reverse sensors (dependent on their position), giving a false reading.

