



**CONTROLLED**

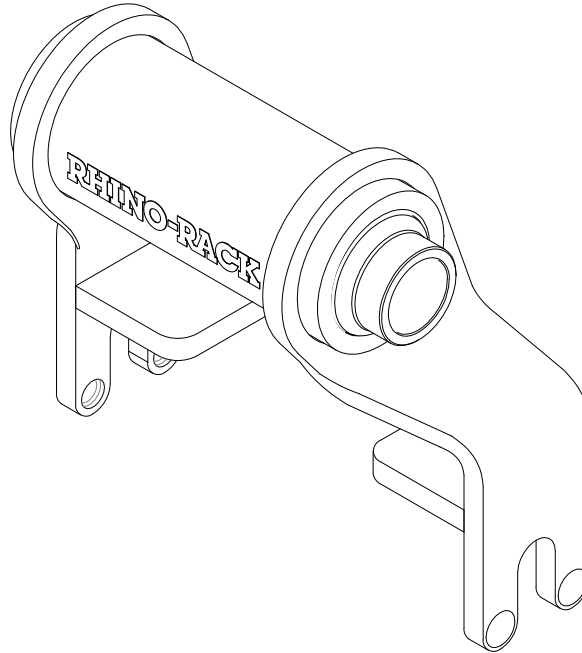
# RHINO-RACK

## RBCA030 Axle Adaptor including 15 x 100mm Insert.

**Important:** Please read these instructions carefully prior to installation.  
Please refer to your fitting instruction to ensure that the Roof Rack System is installed in the correct location.  
Check the contents of kit before commencing fitment and report any discrepancies.  
Place these instructions in the vehicle's glove box after installation is complete.

**Note: For use with**

Rhino-Rack Road Warrior  
RBC036  
Rhino-Rack Mountain Trail  
RBC035  
Rhino-Rack SQR RBC011



### Important Information

1.  Check Part No./Kit is correct
2.  Read through instruction before installing
3.  Fit roof rack accessory
4.  Check and recheck all fasteners are secure

**Maximum carrying capacity: 15kg/33lbs bicycle**

**Recommendations: For use with Rhino-Rack Road Warrior and Mountain Trail Bike Carriers and SQR.**

It is essential that all bolt connections be checked after driving a short distance when you first install your bike rack. Bolt connections should be checked again at regular intervals (probably once a week is enough, depending on road conditions, usage, loads and distances travelled).

**Bike Carrier is not suitable for Tandem bikes, E-bikes, recumbents.**

Remove front fenders, child seats & panniers before use.

**Warning: Locks are only a deterrent. Please exercise care when protecting your items from theft.**

**Sensitivity to cross winds, behaviour in curves and braking.**

The handling characteristics of the vehicle, changes when you transport a load. For safety reasons, we recommend you exercise extreme care when transporting wind-resisting loads; special consideration must be taken into account when braking.

**Please remove bike rack when putting vehicle through an automatic car wash.**

**Load Ratings:**

Maximum permissible load is 15kg/33lbs.

**Note for Dealers and Fitters:**

It is your responsibility to ensure instructions are given to the end user or client.

Rhino-Rack  
3 Pike Street, Rydalmere,  
NSW 2116, Australia.  
(Ph) (02) 9638 4744  
(Fax) (02) 9638 4822

Document No: R906  
Prepared By: Kayle Everett  
Authorised By: Chris Murty

Fit Time: 10min  
Issue No: 03  
Issue Date: 28/12/2016

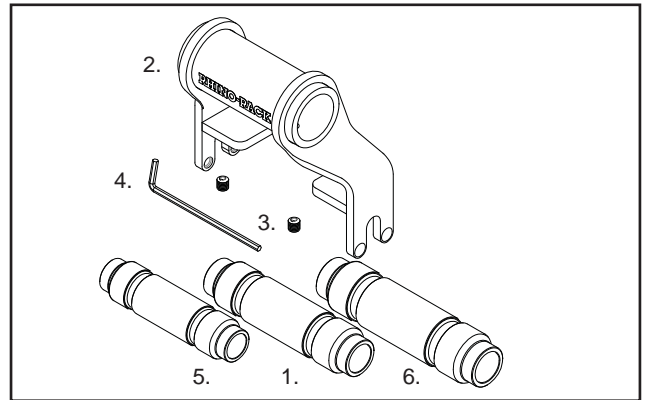
These instructions remain the property of Rhino-Rack Australia Pty. Ltd. and may not be used or changed for any other purpose than intended.



# RBCA030 Axle Adaptor including 15 x 100mm Insert.

Item	Component Name	Qty	Part No.
1	Thru Axle Insert 15 x 100mm	1	CA1523
2	Thru Axle Adaptor	1	CA1522
3	M6 Grub Screws	2	B238
4	3mm Allen Key	1	H010
5	Thru Axle Insert 12 x 100mm	1	RBCA031
6	Thru Axle Insert 20 x 110mm	1	RBCA038
7	Instructions	1	R906

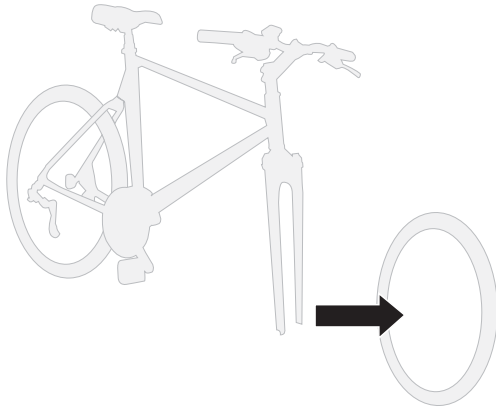
Item	Additional Thru Axle Sizes (sold as separate).	Part No.
1	Thru Axle Insert 9 x 135mm	RBAC039
2	Thru Axle Insert 12 x 100mm	RBCA031
3	Thru Axle Insert 15 x 150mm	RBCA037
4	Thru Axle Insert 15 x 110mm	RBCA036
5	Thru Axle Insert 20 x 110mm	RBCA038



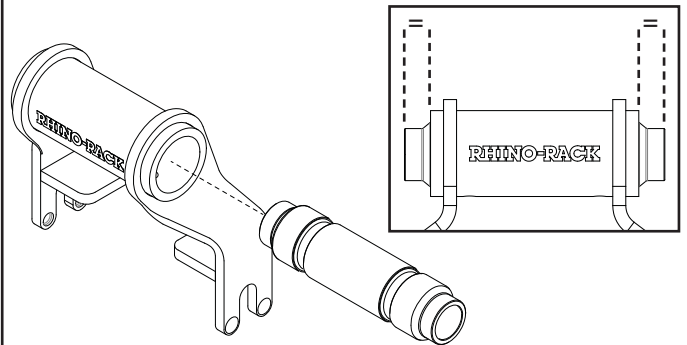
Note: Be sure to identify correct size Thru Axle for your bike. Additional sizes can be purchased to suit most bikes. Installation requires 3mm Allen Key.

## Instructions

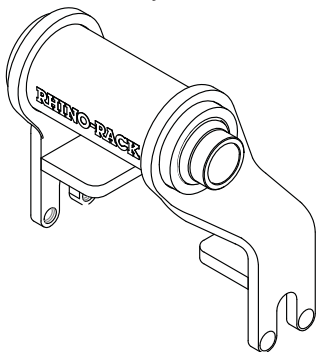
**1** Remove the front wheel from your bike.



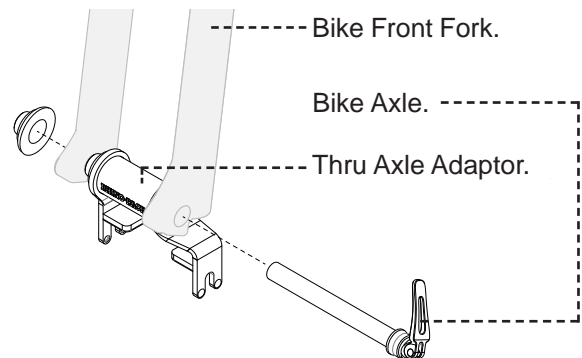
**2** Slide the Thru Axle into the Adaptor. Be sure the Thru Axle sits evenly in position as shown.



**3** Insert the Grub Screws provided. Tighten in place with a 3mm Allen Key. Do not over-tighten.

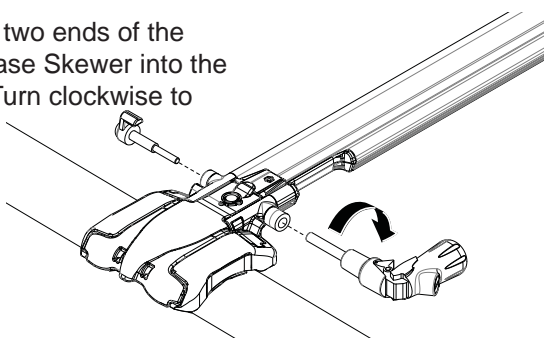


**4** Fix the Adaptor to the bike by re-installing the bike's axle.

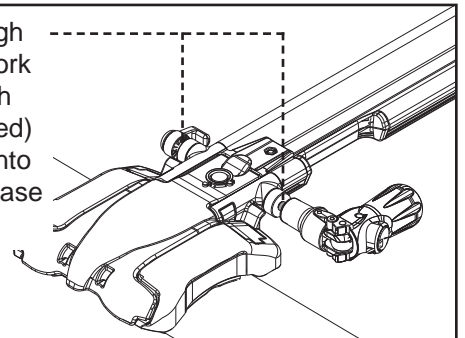


**5** Slide the two ends of the Quick Release Skewer (found in RCB035 and RCB036) into their respective Carrier. Loosely install the skewer as per the bike carrier instructions.

1. Slide the two ends of the Quick Release Skewer into the assembly. Turn clockwise to tighten.



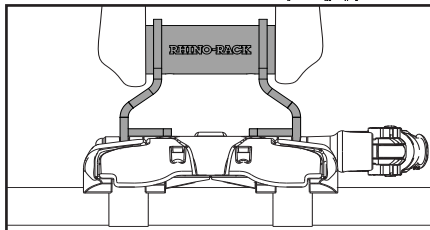
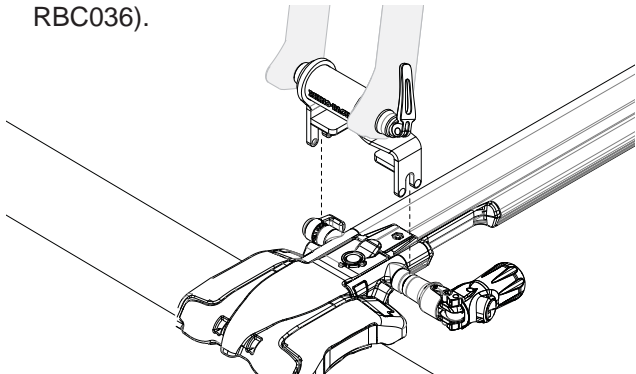
2. Leave enough space for the fork of the bike (with Adaptor installed) to be seated onto the Quick Release Skewer.





# RBCA030 Axle Adaptor including 15 x 100mm Insert.

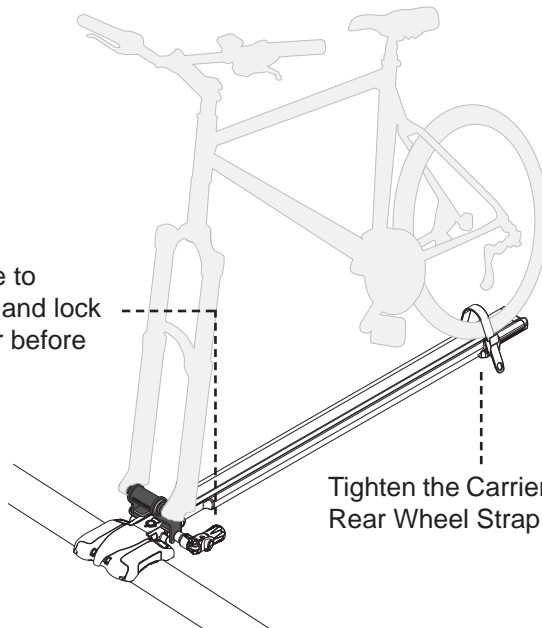
**6** Place the bike onto the Carrier. The Thru Axle Adaptor will sit onto the exposed sections of the Quick Release Skewer as shown. Tighten and lock in place (Skewer tightening detailed in RBC035/ RBC036).



Front View: The Adaptor must sit flush with the top of the Carrier as shown.

**7** Secure the Bike Carrier before use.

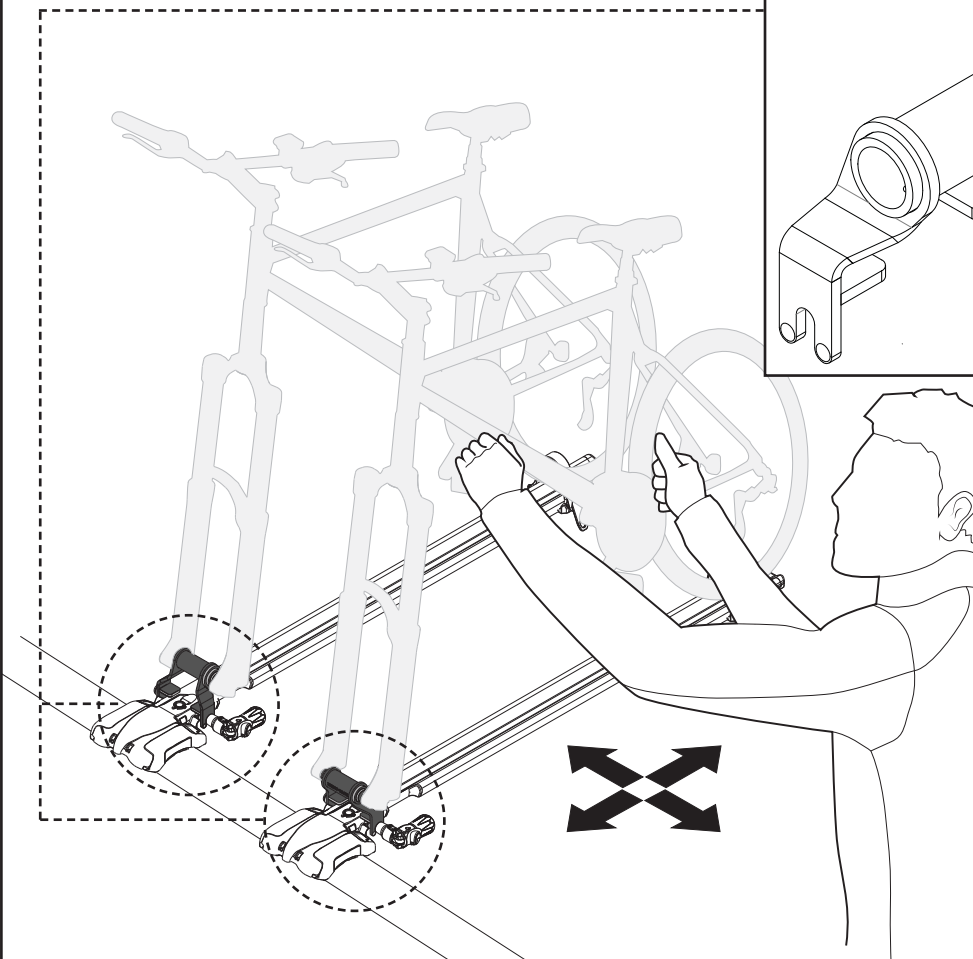
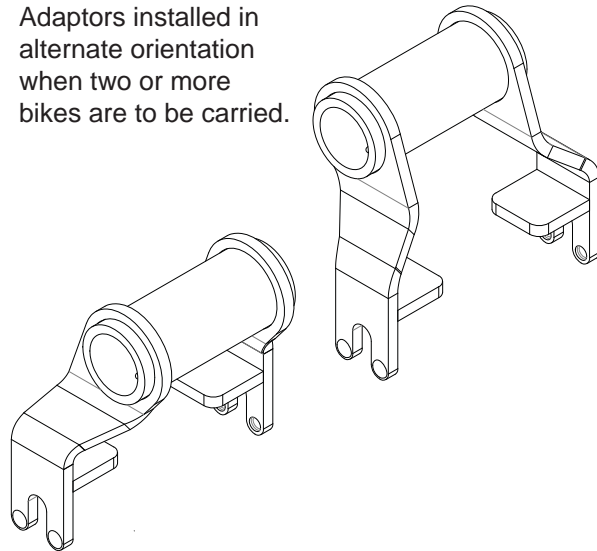
Be sure to tighten and lock Skewer before use.



Tighten the Carrier's Rear Wheel Strap.

**Note** For Mounting two or more bikes side by side, alternate the orientation of the Adaptor when installed. This will minimise the contact of handlebars with the bike opposite.

Adaptors installed in alternate orientation when two or more bikes are to be carried.



**Note:**  
-Be sure fixtures are secure before use.  
-Periodically check torque on fixtures.