



RHINO-RACK

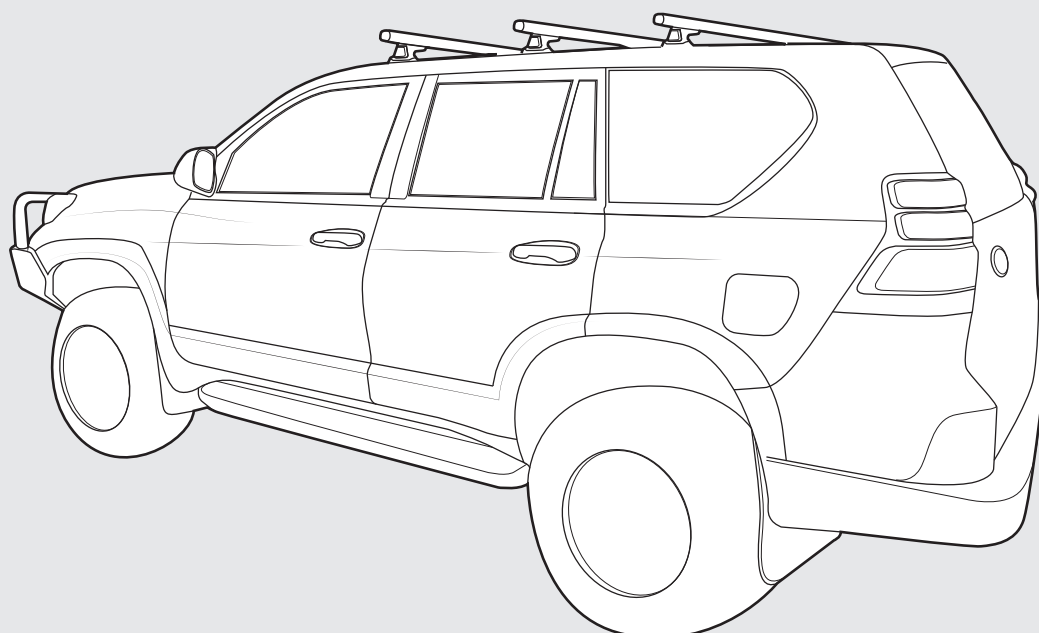
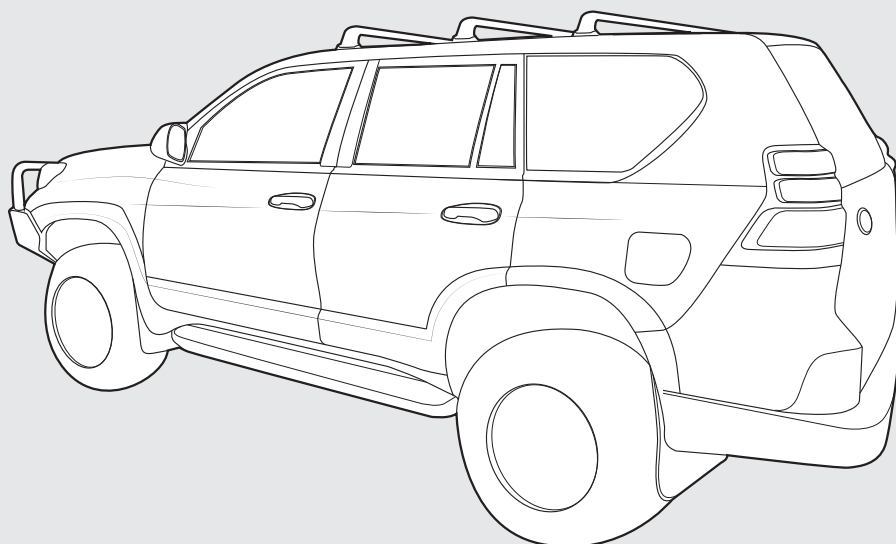
CONTROLLED

RCP23-BK Toyota Prado Pad Kit

Important:

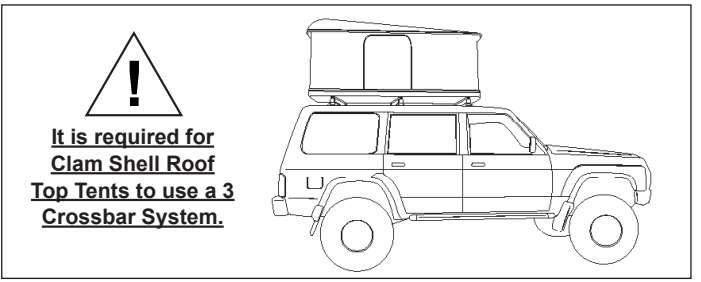
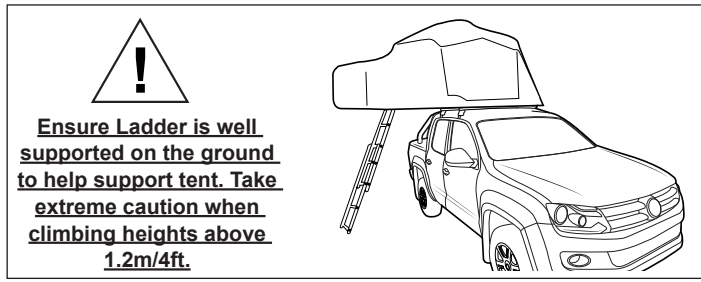
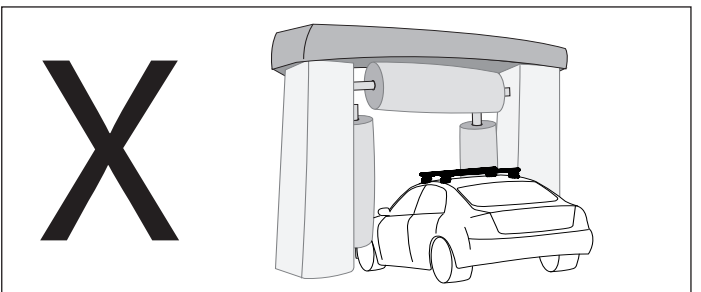
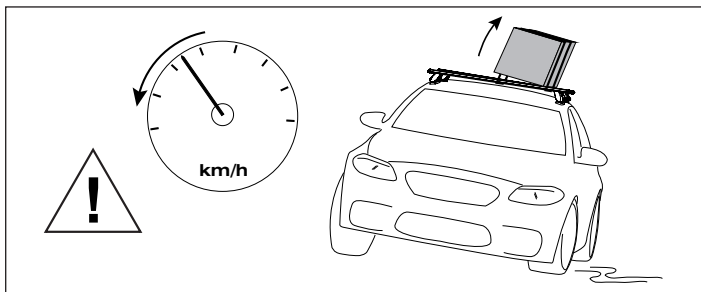
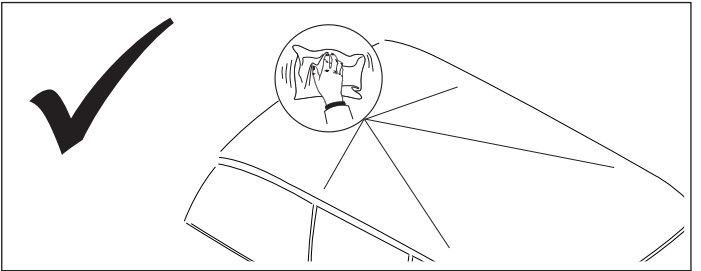
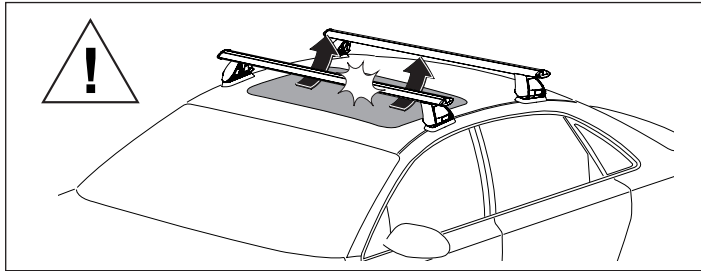
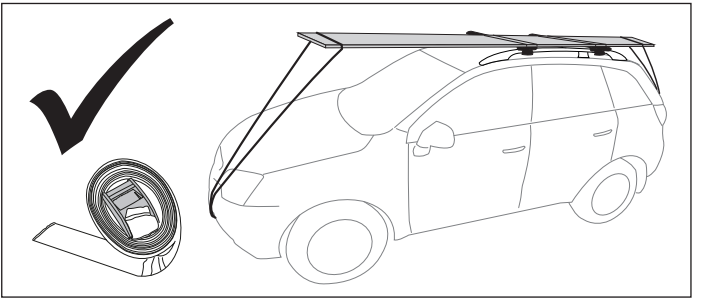
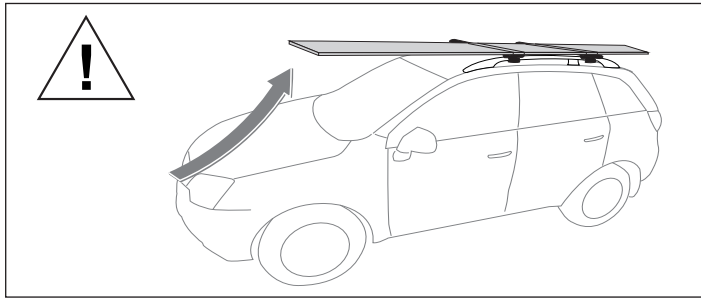
1. Check the Rhino-Rack website to ensure you have the latest issue of these instructions.
2. Please refer to your fitting instruction to ensure that the roof racks are installed in the correct locations.
3. Check the contents of kit before commencing fitment and report any discrepancies.
4. Place these instructions in the vehicle's glove box after installation is complete.
5. These instructions must be followed for warranty to be upheld.

Fit Time: 30 minutes





RCP23-BK Toyota Prado Pad Kit



When these roof racks are to be used on a vehicle that is driven off sealed roads the maximum load rating must be divided by 1.5. Remember to subtract the weight of the roof racks to determine your maximum permissible load capacity.

Refer to pg 3 for off road cargo allowance (OR)

WARNING! Important Load Carrying Instructions

With utility vehicles, the cabin and the canopy move independently. Roofracks and vehicle can be damaged if the item transported is rigidly fixed at points on both the cabin and canopy. Instead, rigidly fix to either the cabin roofracks or the canopy roofracks.

Paddle/ Surfboards should be fixed to the front of the vehicle.



RCP23-BK Toyota Prado Pad Kit

Carrying Capacity

Max system load capacity

Check your vehicle owners hand book for vehicle maximum carrying capacity. Please ensure you use the vehicle manufacturers maximum roof allowance if it is lower than the figure listed in this instruction.

Load must be evenly distributed over the system.

ON ROAD CARGO ALLOWANCE (R)	OFF ROAD CARGO ALLOWANCE (OR)	VEHICLE ROOF LOAD LIMIT (VLL)	SYSTEM WEIGHT (SW)
(VLL) - (SW) = (R)	(R)/1.5 = (OR)	100kg / 220lb (CHECK VEHICLE OWNERS HANDBOOK FOR SPECIFIC FIGURE).	7.5kg/16.5lbs

Off Road: Any driven path taken that does not contain a surface protection layer (tar/bitumen).

Vehicle Load Limit: Total permissible weight attached to the roof of the car. This is inclusive of the weight of the roof rack system.

System Load Limit: Total permissible weight allowed on top, and attached to roof racks whilst the vehicle is in motion.

Torque Settings

Unless stated otherwise in these instructions, all fasteners should be set to the following torque settings - M6: 4-5Nm (3-4lbs/ft), M8: 8-10Nm (6-7.5lbs/ft) and M10: 16-18Nm (12-13lbs/ft).

Warning

- Check part number/ or kit is correct for use with your vehicle.
- Do not attempt to fit the rack system to your vehicle unless you fully understand these fitting instructions. Please direct any questions regarding fitting to the dealer from where the roof racks were purchased.
- Although the system is tested and approved to AS1235-2000 / ISO 11154, off-road conditions can be much more rigorous. Extreme care must be taken in off road conditions.
- Roof racks must be removed when vehicle is put through an automatic car wash.
- With utility vehicles, the cabin and the canopy move independently. Roof racks and vehicle can be damaged if the item transported is rigidly fixed at points on both the cabin and canopy. Instead, rigidly fix to either the cabin roof racks or the canopy roof racks.
- Always ensure you fasten your load securely.
- Use only non-stretch fastening ropes or straps to attach cargo to your load.

In service maintenance checks

- All bolted connections should be checked after driving a short distance when you first install your roof racks.
- All bolted connections should be checked again at regular intervals (every 1000k (621mi) is recommended, depending on road conditions, usage, loads and distances travelled).
- All bolted connections should be checked each time they are re-fitted.

Note for Dealers and Fitters

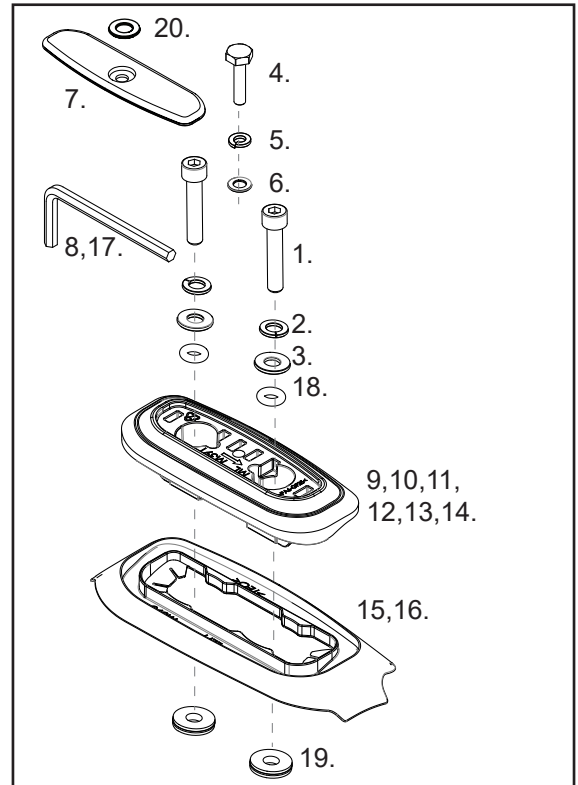
It is your responsibility to ensure these fitting instructions are given to the end user or client. These instructions remain the property of Rhino-Rack Australia Pty. Ltd. and may not be used or changed for any other purpose than intended.



RCP23-BK Toyota Prado Pad Kit

Parts List

Item	Component	Front	Middle	Rear	Total
1	M8 x 40mm Socket Screw	4	4	4	12
2	M8 Spring Washer	4	4	4	12
3	M8 Flat Washer	4	4	4	12
4	M6 x 30mm Hex Setscrew	2	2	2	6
5	M6 Spring Washer	2	2	2	6
6	M6 x 16mm Flat Washer	2	2	2	6
7	Cover Plate	2	2	2	6
8	5mm Allen Key	-	-	-	1
9	Front Left Mount Pad	1	-	-	1
10	Front Right Mount Pad	1	-	-	1
11	Middle Left Mount Pad	-	1	-	1
12	Middle Right Mount Pad	-	1	-	1
13	Rear Left Mount Pad	-	-	1	1
14	Rear Right Mount Pad	-	-	1	1
15	Left Pad Mount Skirt	1	1	1	3
16	Right Pad Mount Skirt	1	1	1	3
17	6mm Allen Key	-	-	-	1
18	O-Ring	4	4	4	12
19	Sealing Washer	4	4	4	12
20	M6 Washer (used on cover plate)	2	2	2	6
21	Fitting Instruction	-	-	-	1



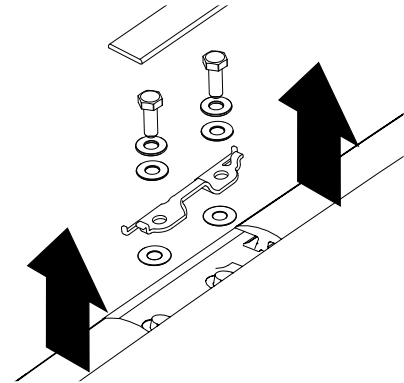
Tools Required:
5mm/6mm security allen key. 10,13mm socket wrench. Flat blade screw driver.

Instructions

1

Remove the roof trim covers with a flat blade screwdriver carefully. Remove all brackets, bolts and washers using a 13mm socket. Store the covers and attachment hardware for future use if needed.

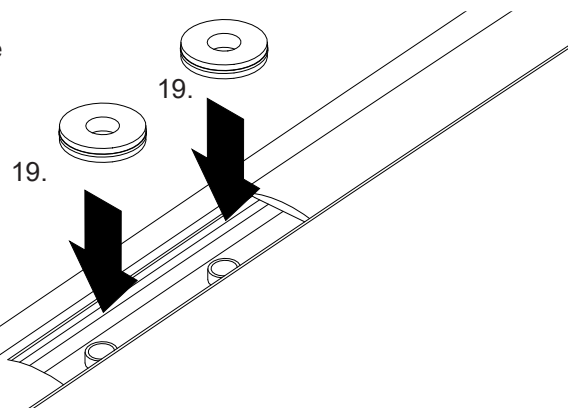
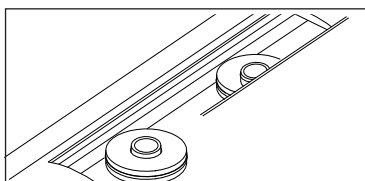
NOTE: The existing bolts and washers are not used to fit the roof rack mounting pads.



2

Place the foam covered sealing washers washers (item 19) over the plastic tubes in the roof channel. Make sure they are fitted neatly around the plastic tubes.

NOTE: Failure to fit the foam covered copper washers will result in water leaks.





RCP23-BK Toyota Prado Pad Kit

3

Match the appropriate rubber skirts (item 15 and 16) with the mounting pads

Item 15 - Left Pad Mount Skirt

FL = Front Left (M389)

ML = Middle Left (M391)

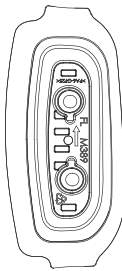
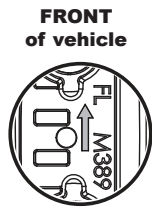
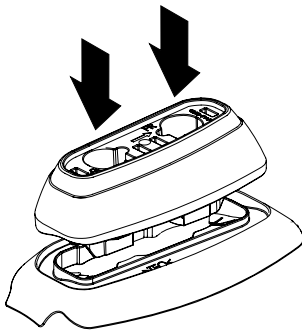
RL = Rear Left (M393)

Item 16 - Right Pad Mount Skirt

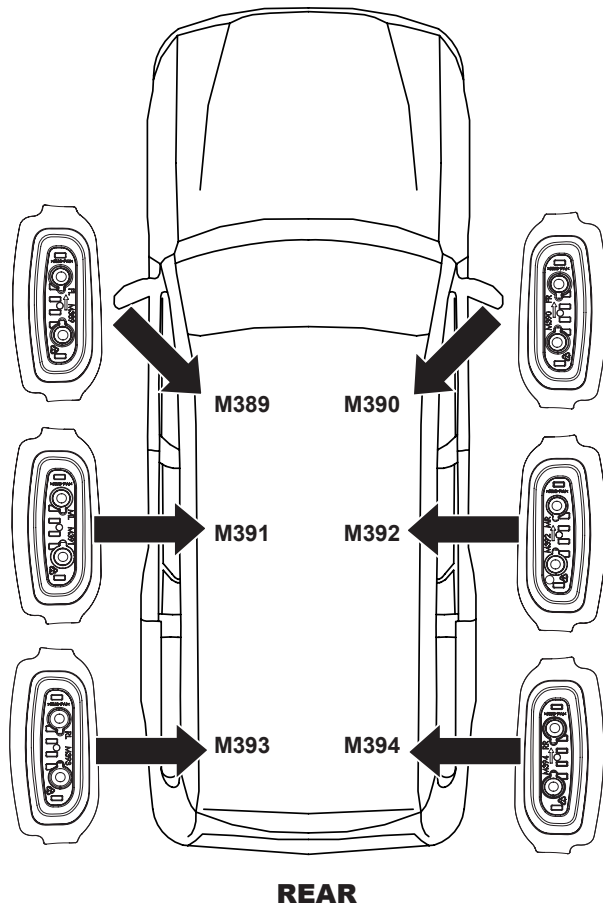
FR = Front Right (M390)

MR = Middle Right (M392)

RR = Rear Right (M394)



FRONT
(Top view of vehicle)

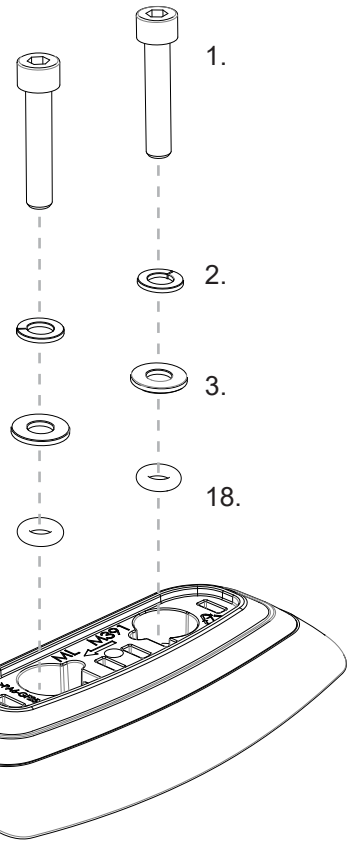
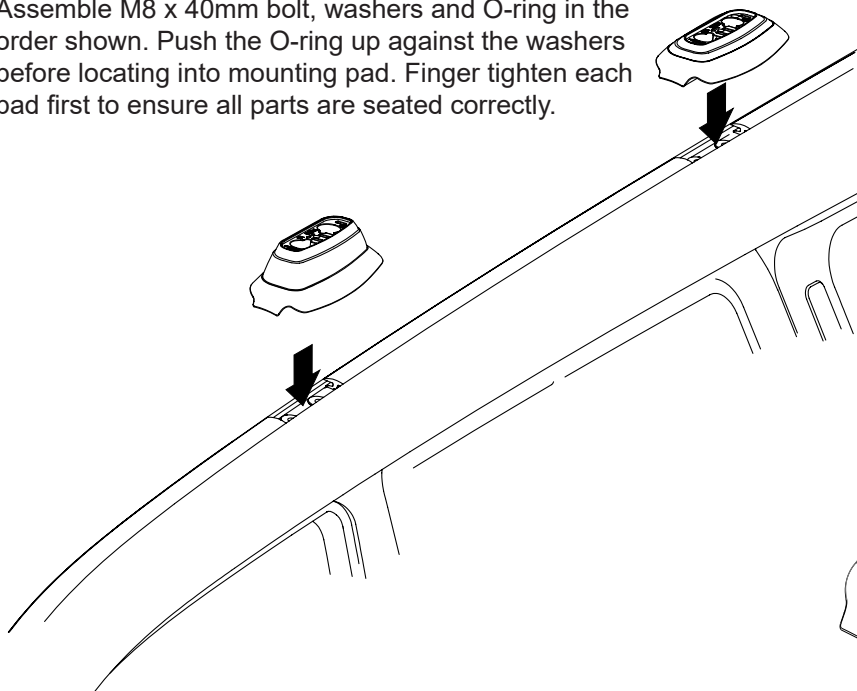


Arrows on top of parts must point towards FRONT of vehicle when correctly installed.

4

Place each pad into its position as stated in the previous step. Check to make sure the rubber skirt does NOT fold or twist when placed on the roof. It must flare out over surface of the roof.

Assemble M8 x 40mm bolt, washers and O-ring in the order shown. Push the O-ring up against the washers before locating into mounting pad. Finger tighten each pad first to ensure all parts are seated correctly.





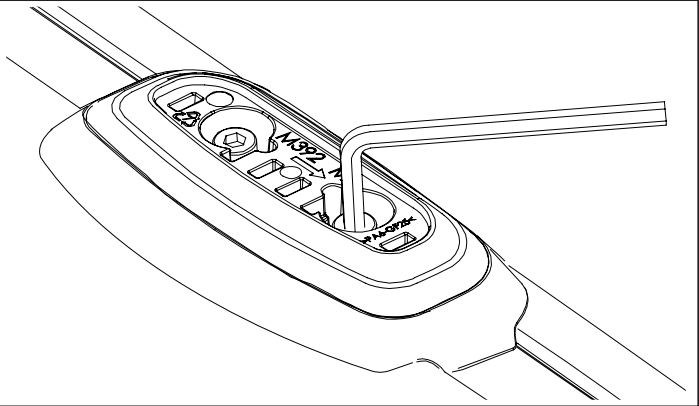
RCP23-BK Toyota Prado Pad Kit

5

Tighten all M8 bolts using the 6mm allen key supplied.

Recommended tightening torque 9-10 Nm.
DO NOT OVER TIGHTEN.

Fit legs and crossbars as per corresponding instructions, using the M6 x 30mm hex setscrews (item 4) included in this kit.



6

When crossbars are not in use, remove and install the cover plates provided. Use the M6 x 30mm hex setscrew (item 4) within this kit.

