



RHINO-RACK

Aerodynamic & Heavy Duty Roof Rack Systems

REB Rhino Commercial - Eye Bolts (Pr)

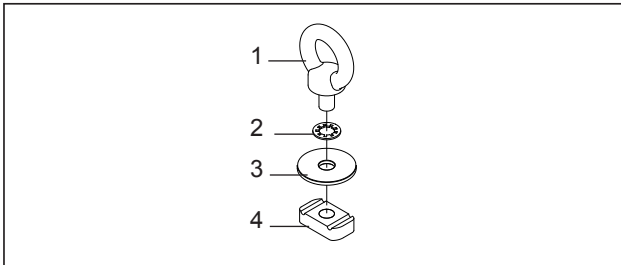
Place these instructions in the vehicle's glove box after installation is complete.

Important: Please read these instructions carefully prior to installation. Please refer to your fitting instruction to ensure that the roof racks are installed in the correct locations.

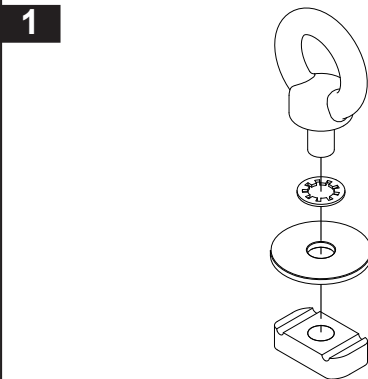
Parts List

Important: Check the contents of kit before commencing fitment and report any discrepancies.

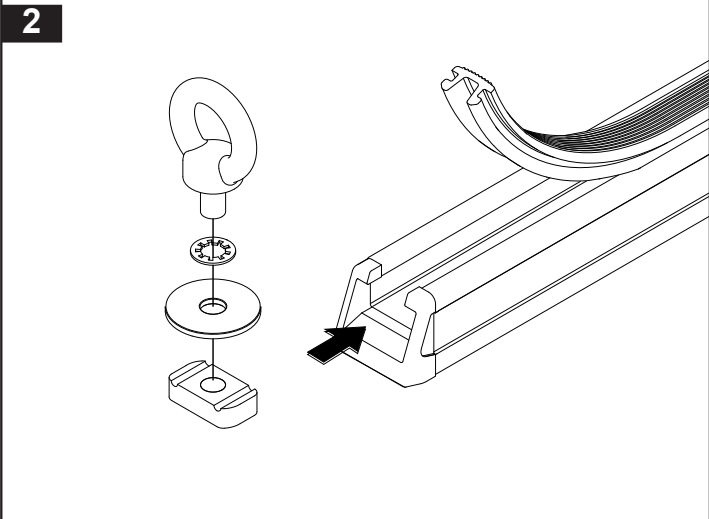
Item	Component Name	Qty.	Part No.
1	M10 Eye Bolt	2	C013
2	M10 Shake Proof Washer	2	W021
3	M10 x 38mm x 2.5mm Flat Washer	2	W022
4	M10 Channel Nut	2	N024
5	Fitting Instruction	1	RR12



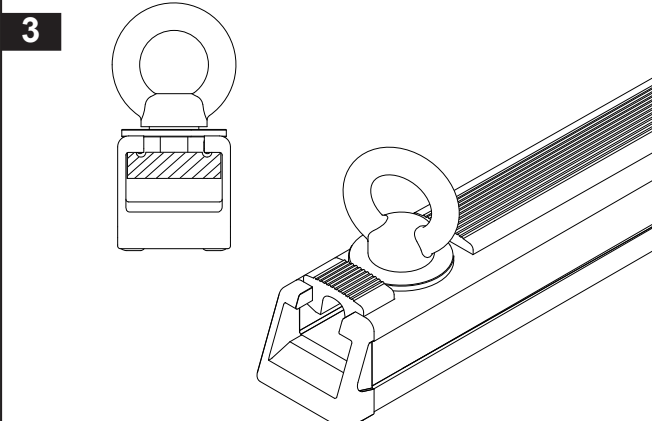
Assemble the shake proof washer and flat washer onto the eyebolt (shake proof washer first). Screw the channel nut onto the eyebolt with the grooves facing the eye bolt.



Remove rubber buffer strip from the crossbar.



Position the eyebolt and locate the channel nut into the crossbar recess, turn the attachment bolt so that the channel nut rotates and locates across the crossbar. Trim rubber buffer strip to suit.



NOT FOR USE with the Pioneer Alloy Tray.
For Pioneer Alloy tray use kit 43106.

Rhino-Rack
 3 Pike Street, Rydalmere,
 NSW 2116, Australia.
 (Ph) (02) 9638 4744
 (Fax) (02) 9638 4822

Document No: RR-12
 Prepared By: Sheila Oliveira Issue No: 04
 Authorised By: Gary England Issue Date: 23/07/2010

These instructions remain the property of Fetovu Pty Ltd T/as Rhino-Rack and may not be used or changed for any other purpose than intended.