



RHINO-RACK®

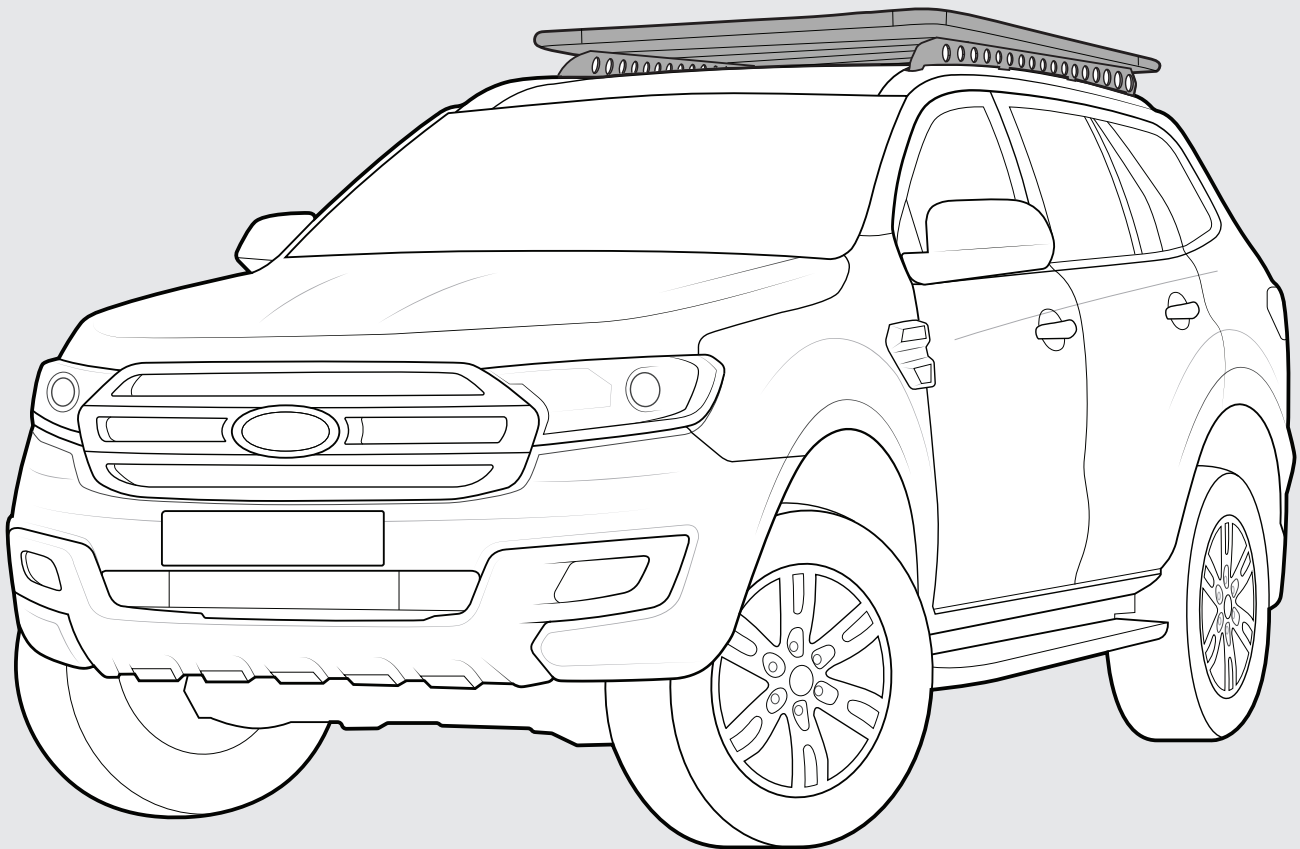
Ford Everest Backbone

RFEB1

Important:

1. Check the Rhino-Rack website to ensure you have the latest issue of these instructions.
2. Please refer to your fitting instruction to ensure that the roof racks are installed in the correct locations.
3. Check the contents of kit before commencing fitment and report any discrepancies.
4. Place these instructions in the vehicle's glove box after installation is complete.
5. These instructions must be followed for warranty to be upheld.

Fit Time: 150 mins



Rhino-Rack AUSTRALIA
22A Hanson Pl,
Eastern Creek, NSW, 2766
(02) 8846 1900
rhinorack.com.au

Rhino-Rack USA
Unit D, 2450 Airport Blvd,
Aurora, CO, 80011
877-744-6622
rhinorack.com

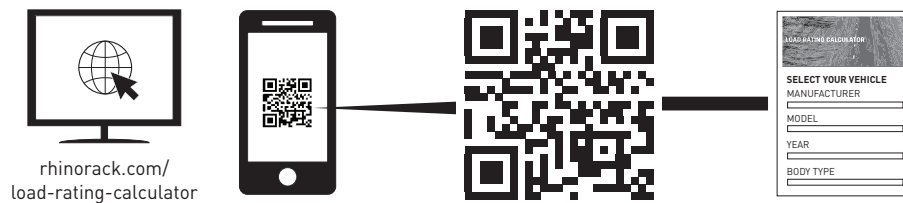
Rhino-Rack CANADA
19100 Airport Way
Pitt Meadows, BC V3Y OE2
rhinorack.ca

Doc. No: R1445
Issue No: 04
Issue Date: 02/11/2021

RFEB1 Instructions

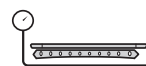
Carrying Capacity

Check the website and the vehicle owners hand book for your vehicle manufacturer's maximum carrying capacity. Load must be evenly distributed over the system.



Cargo Load Limit

Total permissible weight allowed on top, and attached to the rack whilst the vehicle is in motion.



System Weight

Total weight of the rack system. (e.g. Crossbars, Backbone, Platform)



Max System Load Capacity

Please ensure you use the vehicle manufacturer's maximum roof allowance if it is lower than the figure listed in the fitting chart/supplement.



Vehicle Manufacturer's Load Limit

Total permissible weight attached to the rack. This is inclusive of the weight of the rack system.

Warning

- Check part number or kit is correct for use with your vehicle.
- Do not attempt to fit the rack system to your vehicle unless you fully understand these fitting instructions. Please direct any questions regarding fitting to the dealer from where the roof racks were purchased.
- Off-road conditions can be much more rigorous. Extreme care must be taken on any driven path that does not contain a surface protection layer (tar/bitumen).
- Racks must be removed when vehicle is put through an automatic car wash.
- With utility/pick up vehicles, the cabin and the utility tray/truck bed move independently. Racks and vehicle can be damaged if the item transported is rigidly fixed at points on both the cabin and utility tray/truck bed. Instead, rigidly fix to either the utility tray/bed racks or the canopy roof racks.
- Always ensure you fasten your load securely.
- Use only non-stretch fastening ropes or straps to attach cargo to your load.

In service maintenance checks

- All bolt connections should be checked after driving a short distance when you first install your roof racks.
- All bolted connections should be checked again at regular intervals (weekly is recommended, depending on road conditions, usage, loads and distances travelled).
- All bolted connections should be checked each time they are re-fitted.
- Off-road conditions are more rigorous. Check all bolted connections and your load more regularly.
- Ensure that your vehicle manufacturer's GVM, and gross axle weights are not exceeded (refer to vehicle owner's manual).

Torque Settings

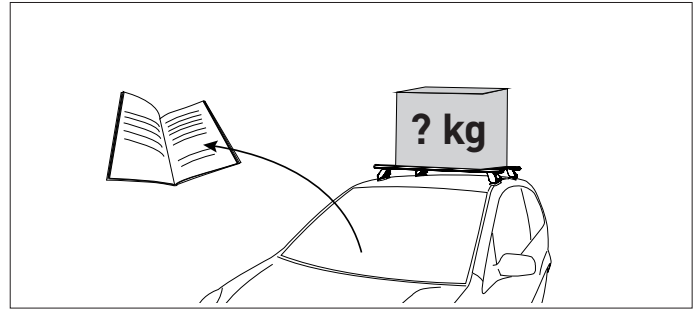
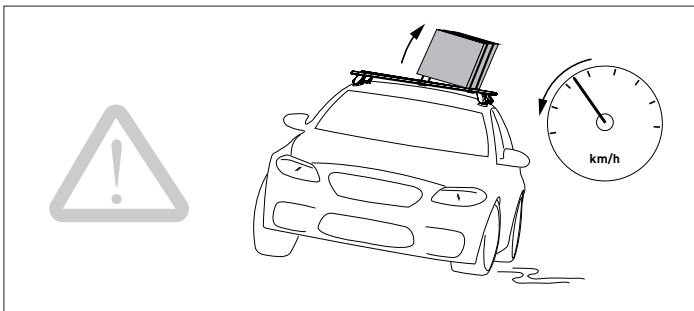
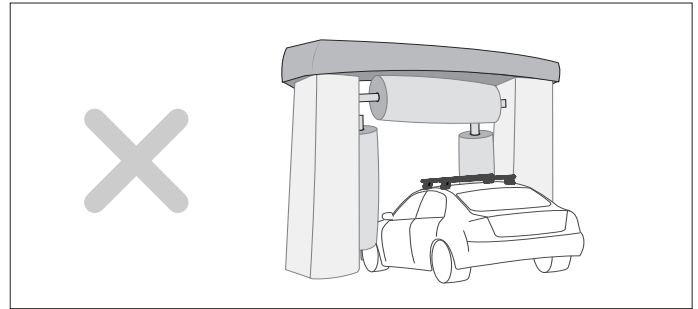
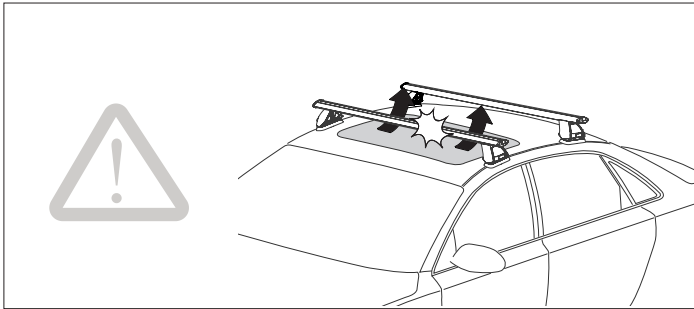
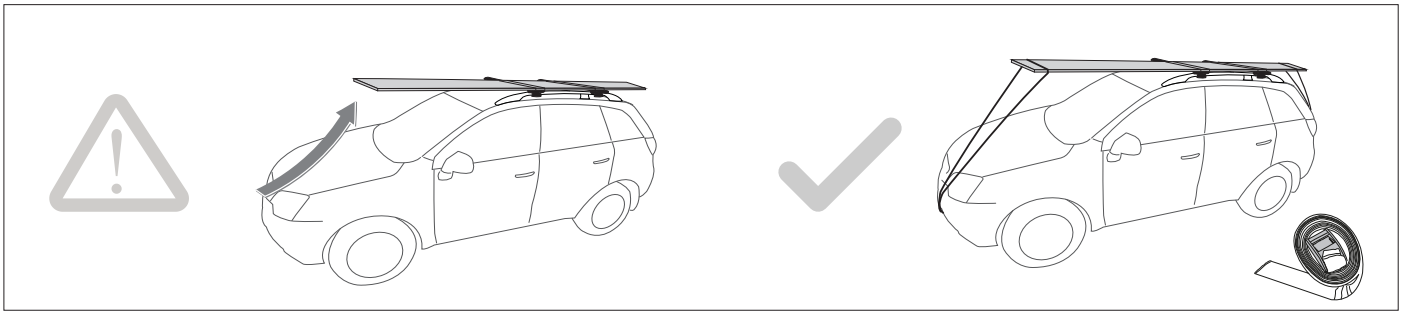
Unless stated otherwise in these instructions, all fasteners should be set to the following torque settings:

- M6: 4-5Nm (3-4lbs/ft),
- M8: 8-10Nm (6-7.5lbs/ft)
- M10: 16-18Nm (12-13lbs/ft).

Note for Dealers and Fitters

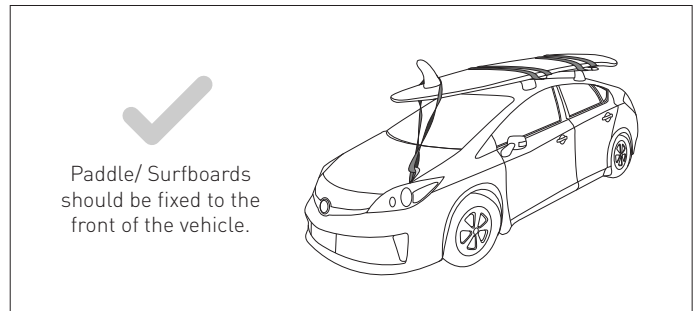
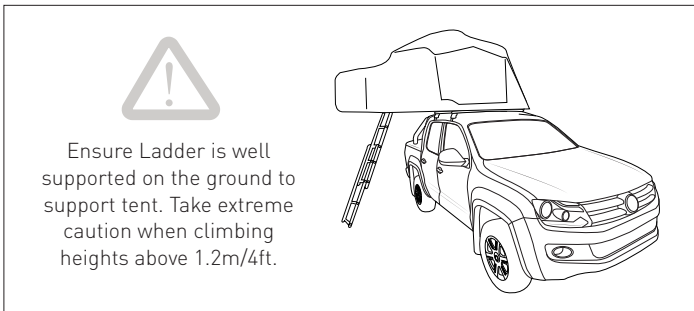
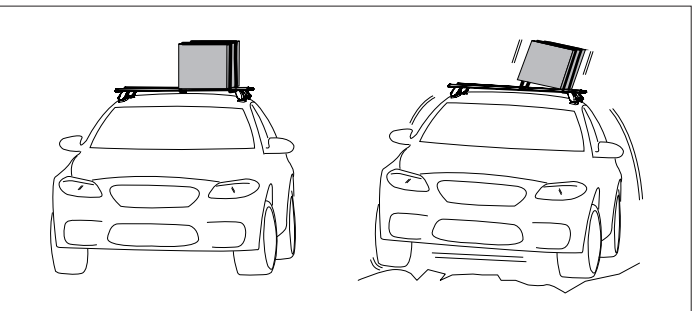
It is your responsibility to ensure these fitting instructions are given to the end user or client. These instructions remain the property of Rhino-Rack Australia Pty. Ltd. and may not be used or changed for any other purpose than intended.

RFEB1 Instructions

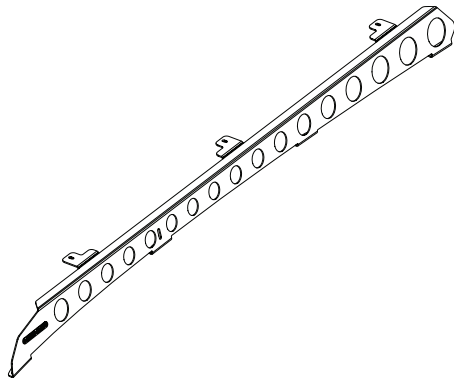
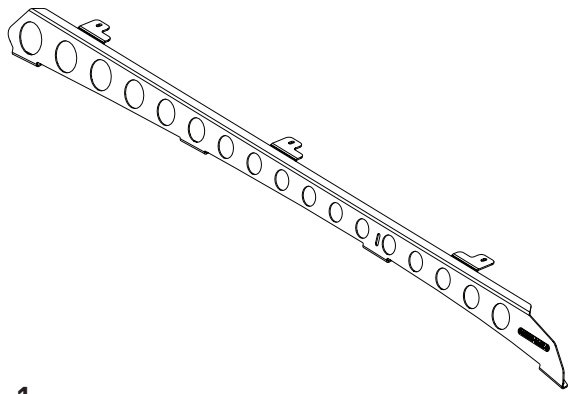
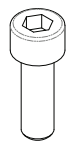
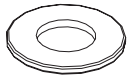
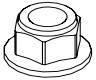
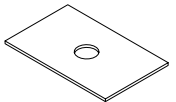
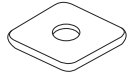
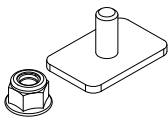

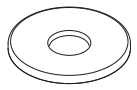

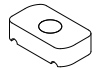
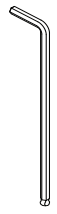



The handling characteristics of the vehicle changes when a load is transported on the roof. Exercise extreme care when transporting wind-resistant loads. Special consideration must be taken when cornering and braking.

Off-road conditions can be much more rigorous. Extreme care must be taken in off-road conditions.



Parts List

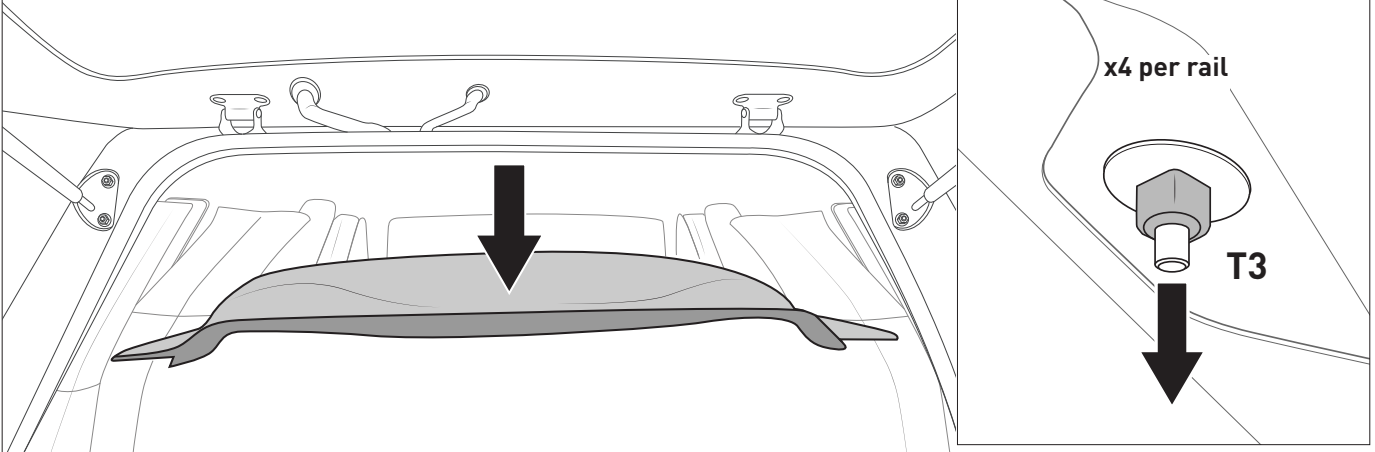
<p>Backbone Left</p>  <p>A x1</p>	<p>Backbone Right</p>  <p>B x1</p>		
<p>M6 x 20mm Socket Head Cap Screw</p>  <p>C x8</p>	<p>M6 x 16 Flat Washer</p>  <p>D x16</p>	<p>M6 Nyloc Flanged Nut</p>  <p>E x8</p>	<p>Butyl Patch 40 x 25mm</p>  <p>F x8</p>
<p>Butyl Patch 20 x 20mm</p>  <p>G x8</p>	<p>Pioneer NG Bolt Kit (For 5XXXX Pioneer only)</p>  <p>H x6</p>	<p>M8 x 20mm Hex Set Screw (For 4XXXX Pioneer only)</p>  <p>I x6</p>	<p>M8 x 24mm Flat Washer (For 4XXXX Pioneer only)</p>  <p>J x6</p>
<p>M8 Spring Washer (For 4XXXX Pioneer only)</p>  <p>K x6</p>	<p>M8 Channel Nut (For 4XXXX Pioneer only)</p>  <p>L x6</p>	<p>5mm Ball End Allen Key</p>  <p>M x1</p>	<p>Instruction</p>  <p>N x1</p>

Tools Required:

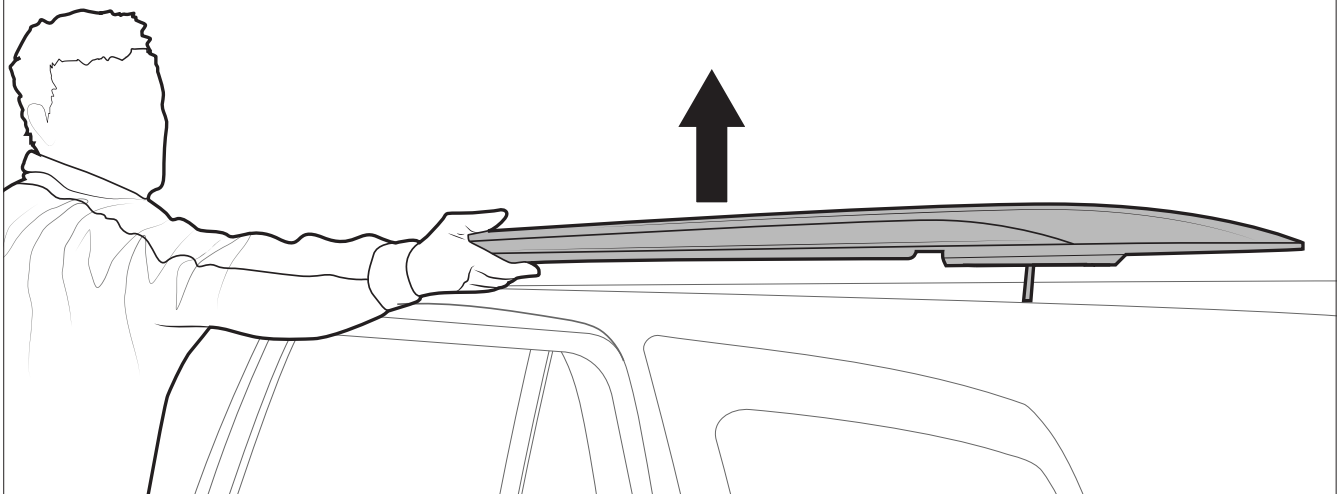
- T1 - 13mm Socket Wrench/Spanner
- T2 - 10mm Socket with Extension
- T3 - Socket set

RFEB1 Instructions

- 1** Hood lining must be carefully dropped to access the factory nuts and washers installed under the roof rails. Unscrew the factory hardware to remove roof rails.



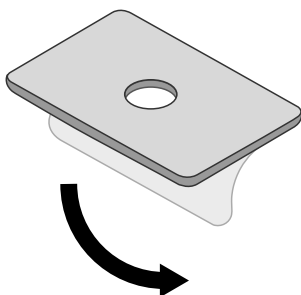
Note: Carefully lift rails from roof of vehicle.



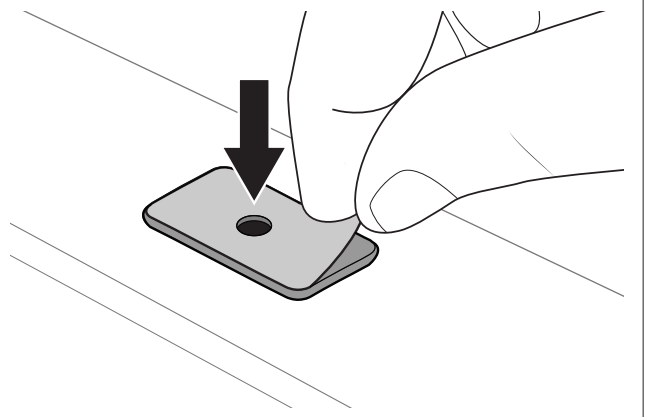
- 2** Apply Butyl patches to all exposed factory holes on the **right side** of the vehicle.

- 2a** Peel off the underside of the backing tape.

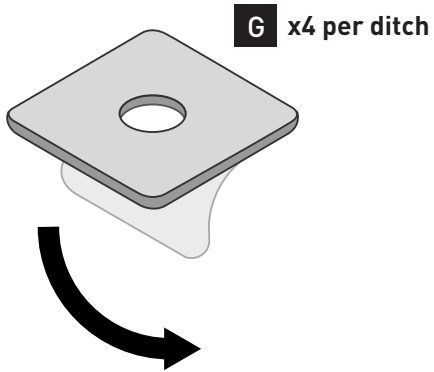
F x4 per ditch



- 2b** Place over the top of the exposed factory holes. Remove the top layer of backing.

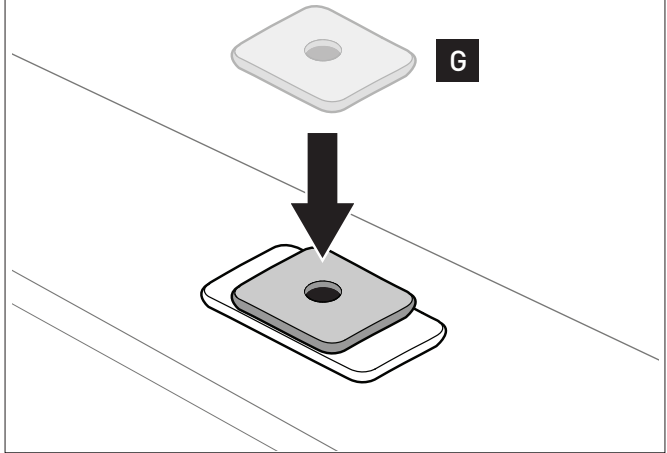


2c



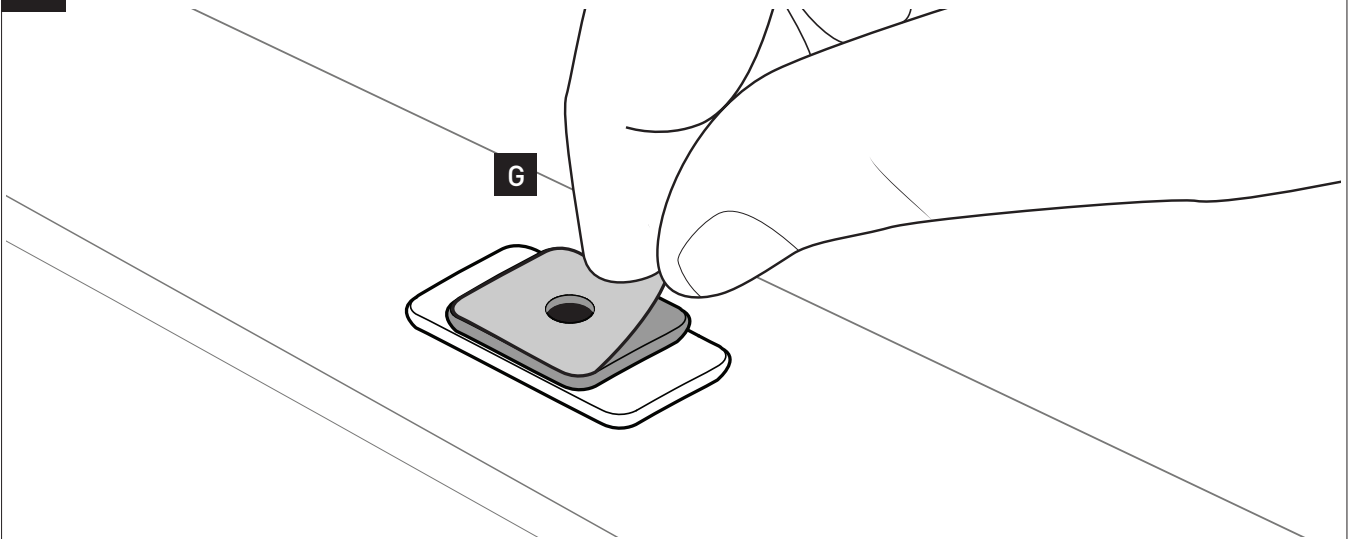
2d

Place on top of the larger Butyl patches, aligning the centre holes.

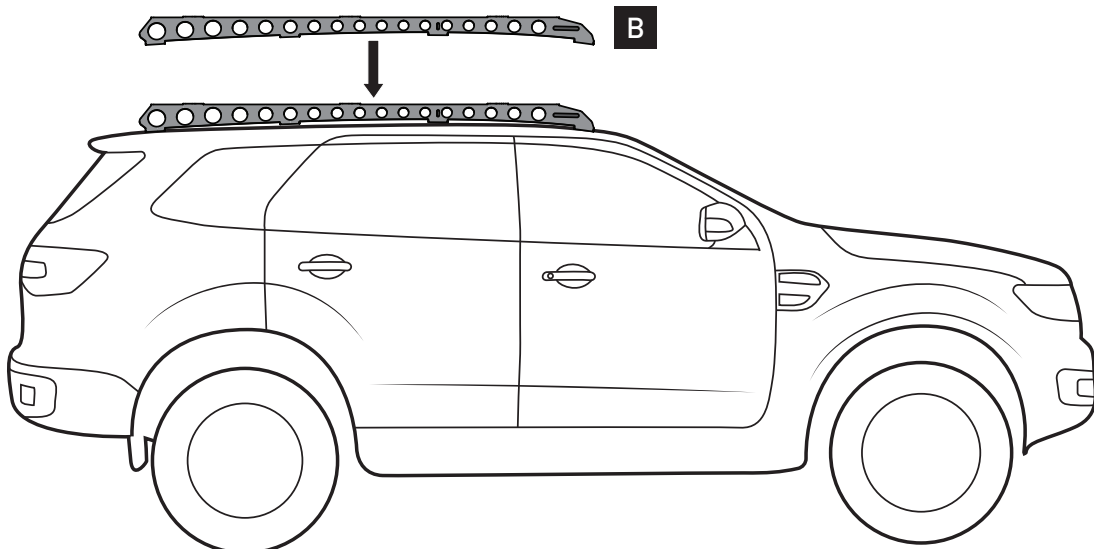


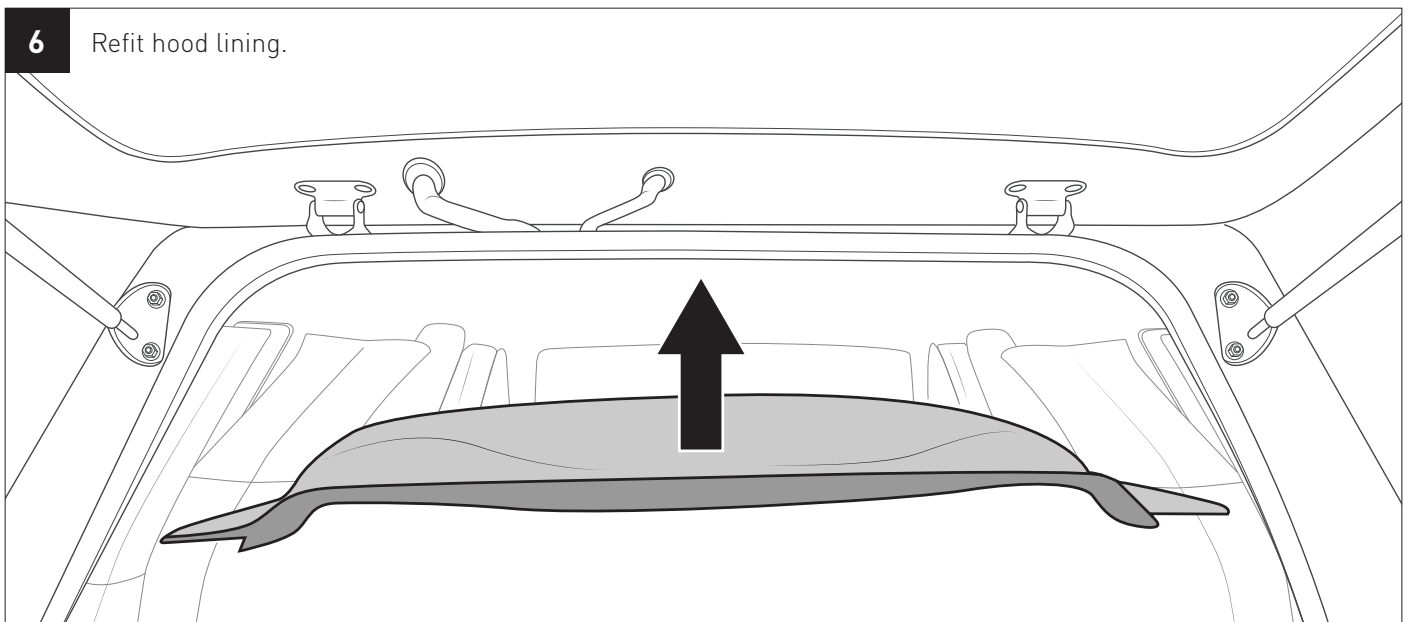
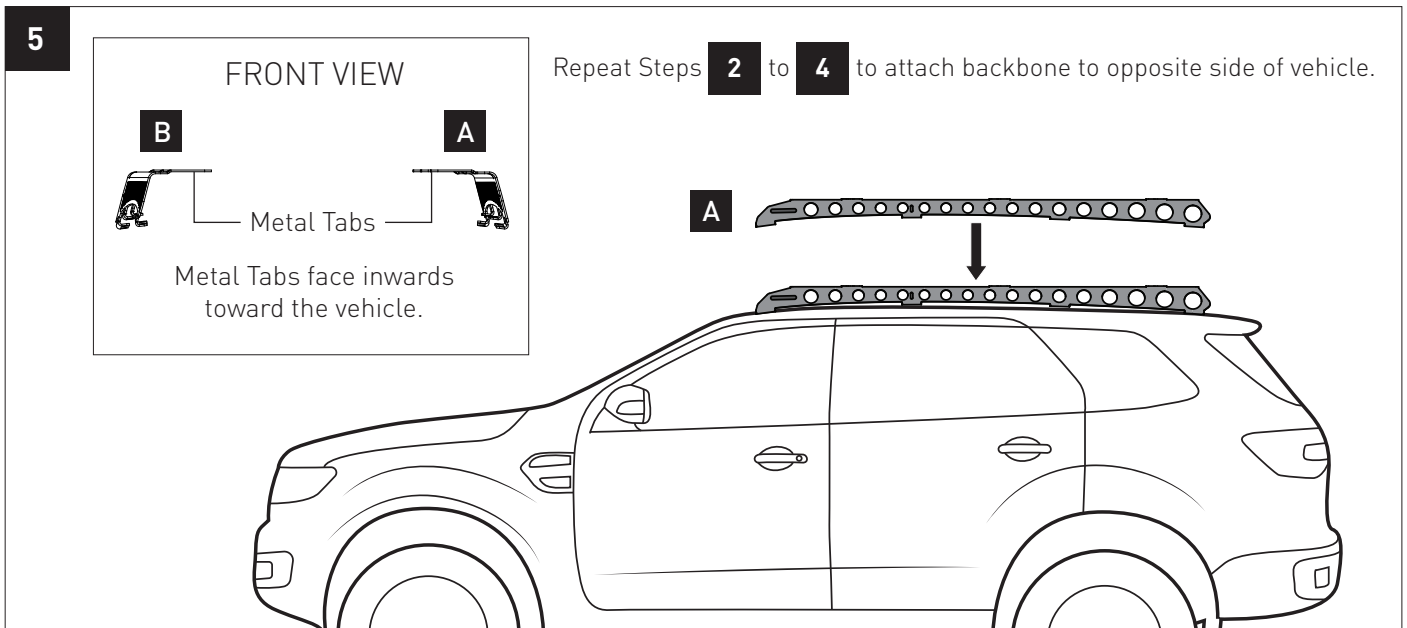
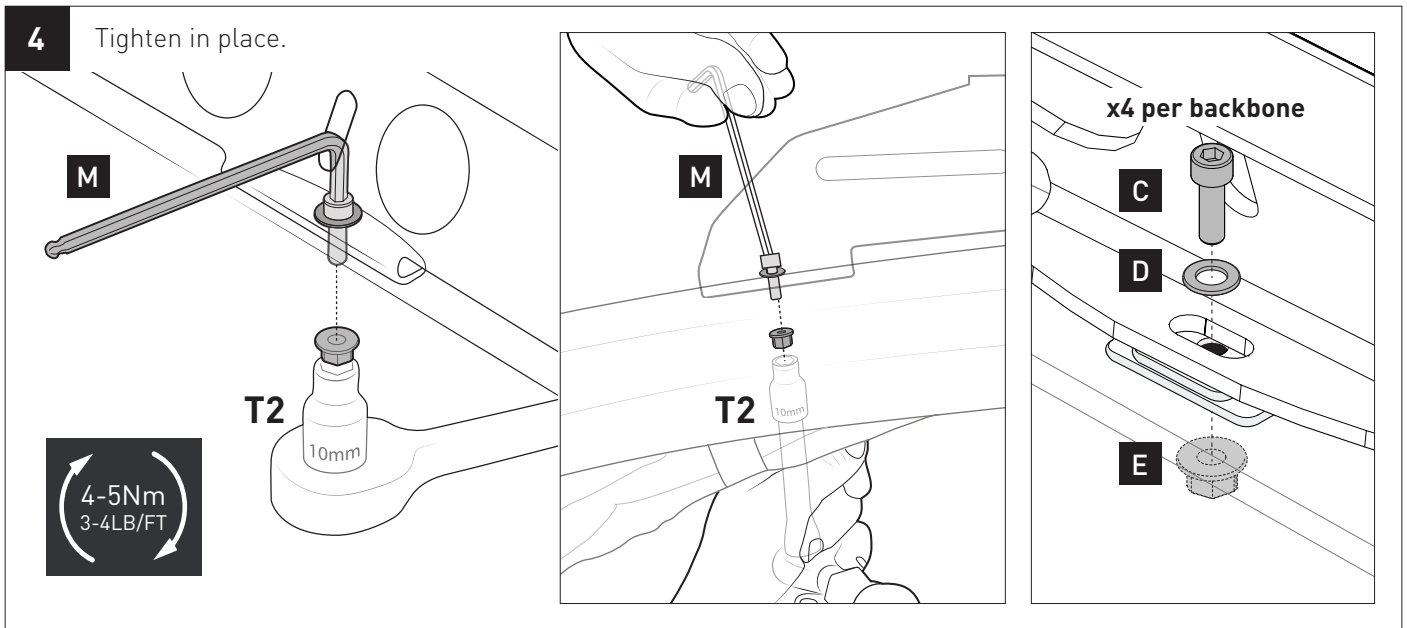
2e

Remove the top layer of backing.



3

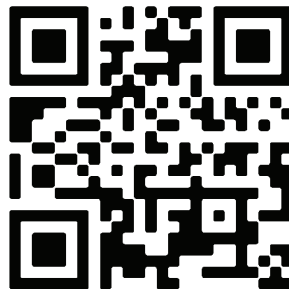




7 PLATFORM INSTALLATION



rhinorack.com/roof



EXAMPLE ONLY

RHINO-RACK | PIONEER VEHICLE FITTING INFORMATION

VEHICLE	YEAR	MODEL	CONNECTOR	ROOF ACCESSORY
2014-2015	2014	2015	2014	2015

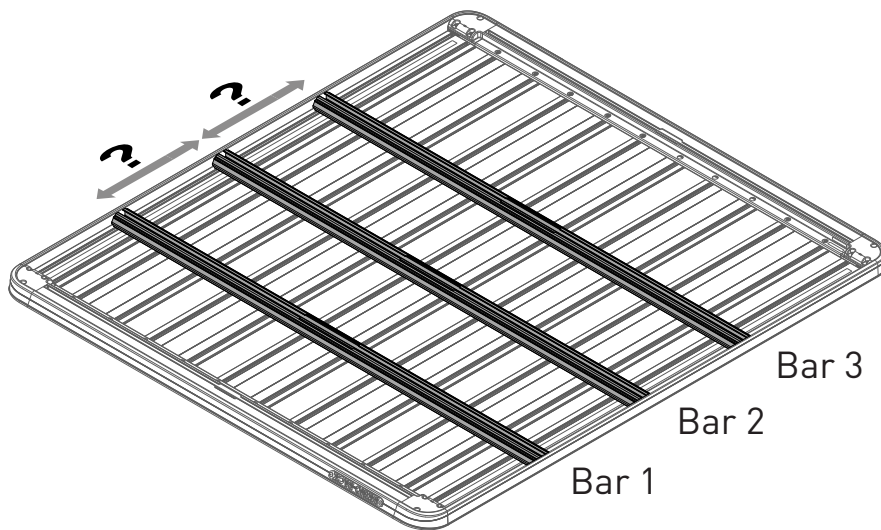
VEHICLE WEIGHT CAPACITY: 96 Kg (212 lbs) + 24 Kg (53 lbs) = 120 Kg (265 lbs)

VEHICLE MANUFACTURER'S RECOMMENDED ROOF LOAD LIMIT

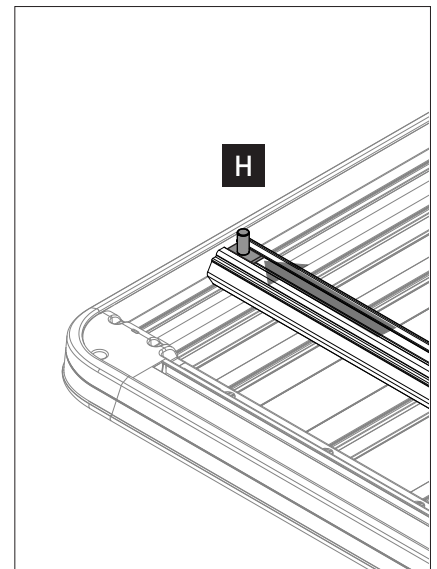
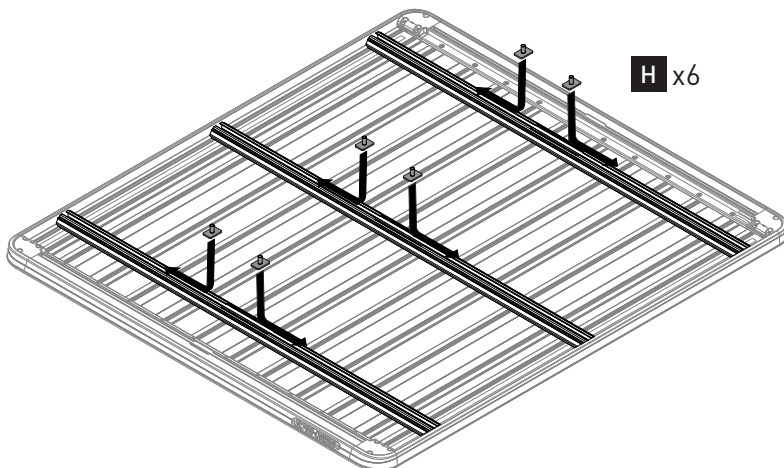
UNDERBAR SPACING

BAR NO.	A	B	C	D	E	F
1						
2						
3						

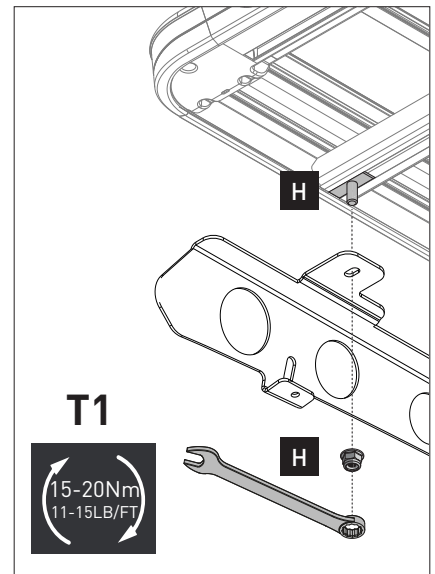
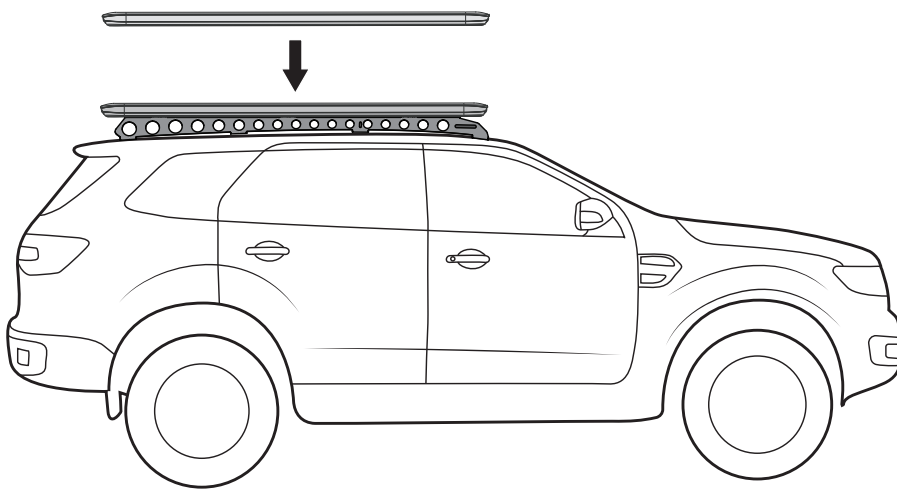
View Fitting Chart



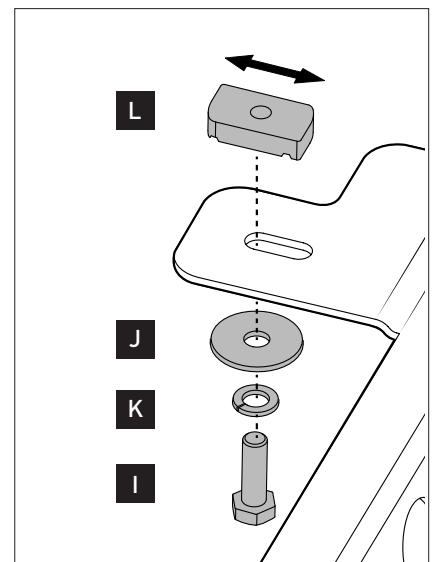
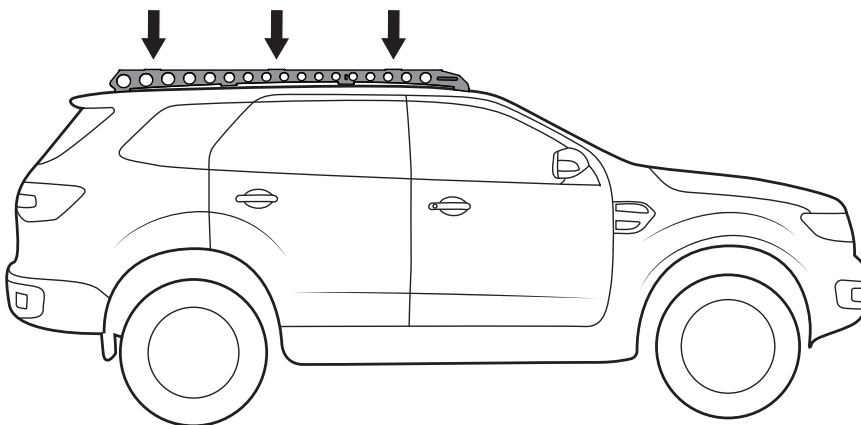
8 For 5XXXX Series Platform



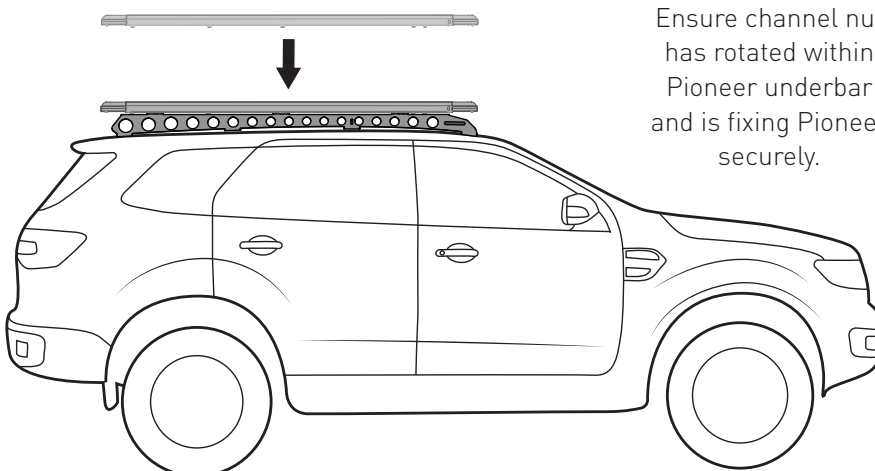
9 For 5XXXX Series Platform



10 For 4XXXX Series Platform



11 For 4XXXX Series Platform



Ensure channel nut has rotated within Pioneer underbar and is fixing Pioneer securely.

