



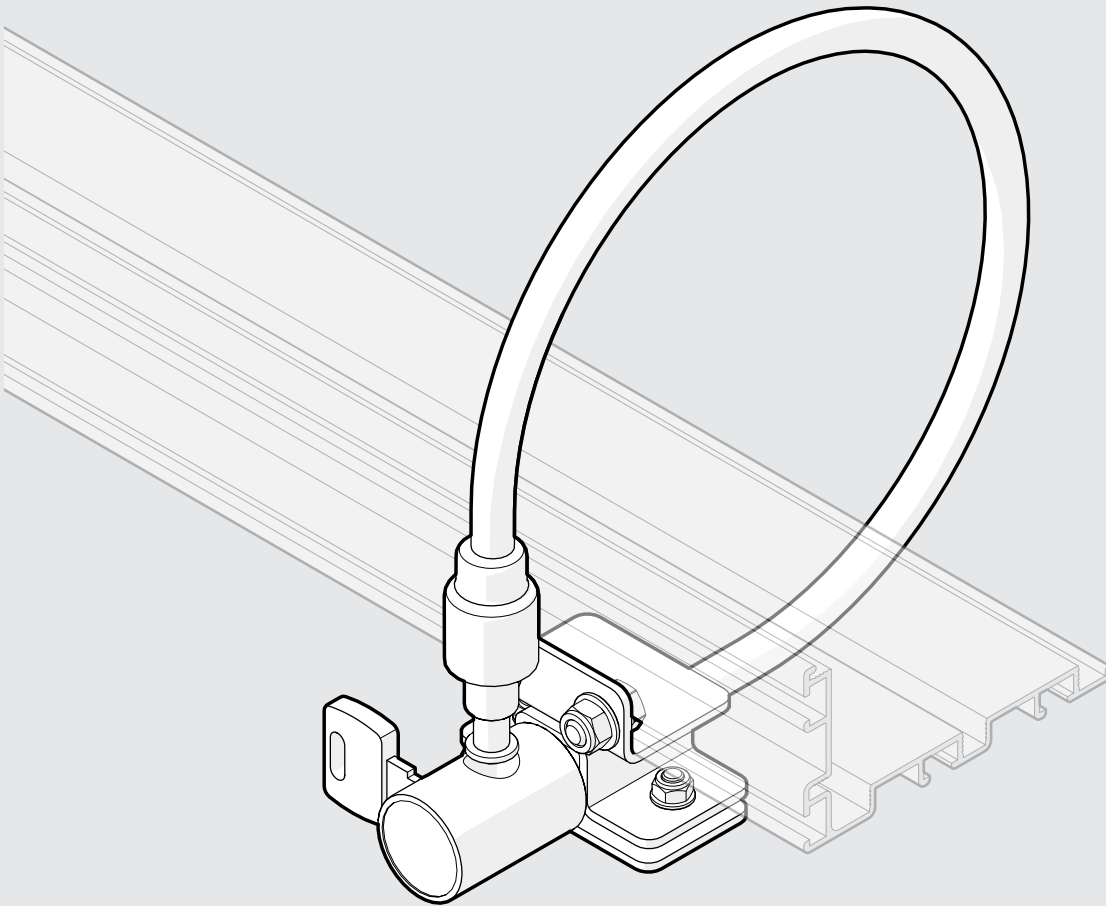
# RHINO-RACK®

## Ladder Rail Cable Lock RLLR, RLLRPAIR

**Important:**

1. Check the Rhino-Rack website to ensure you have the latest issue of these instructions.
2. Please refer to your fitting instruction to ensure that the accessory is installed in the correctly.
3. Check the contents of kit before commencing fitment and report any discrepancies.
4. Place these instructions in the vehicle's glove box after installation is complete.
5. These instructions must be followed for warranty to be upheld.

**Fit Time:** 10 min



**Rhino-Rack AUSTRALIA**  
22A Hanson Pl,  
Eastern Creek, NSW, 2766  
(02) 8846 1900  
rhinorack.com.au

**Rhino-Rack USA**  
Unit D, 2450 Airport Blvd,  
Aurora, CO, 80011  
877-744-6622  
rhinorack.com

Document No: RR01  
Issue No: 02  
Issue Date: 19/01/2022

## RLLR, RLLRPAIR Instructions

---

### Carrying Capacity

---

Refer to vehicle manufacturer's carrying load rating for roof bars.

Ensure that all loads are evenly distributed and that the centre of gravity is kept as low as possible.

### Warning

---

- Do not attempt to fit the accessory to your vehicle unless you fully understand these fitting instructions. Please direct any questions regarding fitting to the dealer from where the product was purchased.
- Off-road conditions can be much more rigorous. Extreme care must be taken in off road conditions.
- Accessory must be removed when vehicle is put through an automatic car wash.
- Always ensure you fasten your load securely.

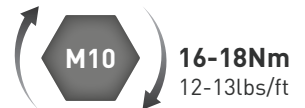
### In service maintenance checks

---

- All bolted connections should be checked after driving a short distance when you first install your roof racks & accessories.
- All bolted connections should be checked again at regular intervals (every 1000k (621mi) is recommended, depending on road conditions, usage, loads and distances travelled). All bolted connections should be checked each time they are re-fitted.

#### Torque Settings:

Unless stated otherwise in these instructions, all fasteners should be set to the following torque settings:



### Sensitivity to Crosswinds, Behaviour in Curves and Braking.

---

Remember that the handling characteristics of your vehicle will change when transporting a load on the roof.

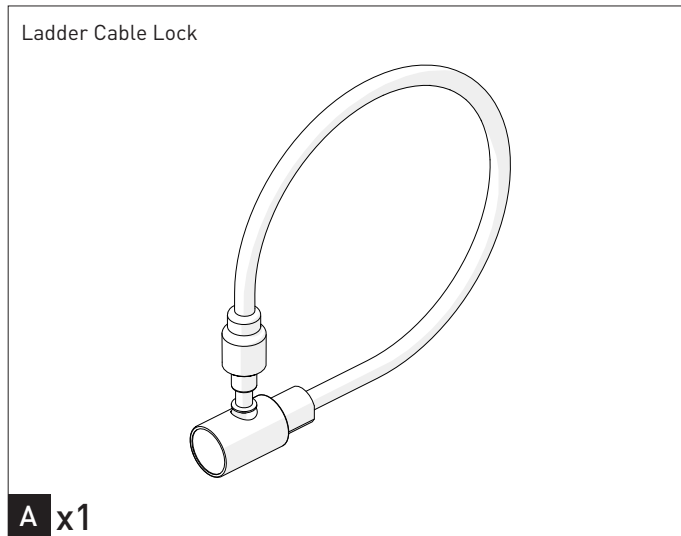
Exercise extreme care when transporting wind-resisting loads; special consideration must be taken into account when braking.

### Note for Dealers and Fitters

---

It is your responsibility to ensure these fitting instructions are given to the end user or client. These instructions remain the property of Rhino-Rack Australia Pty. Ltd. and may not be used or changed for any other purpose than intended.

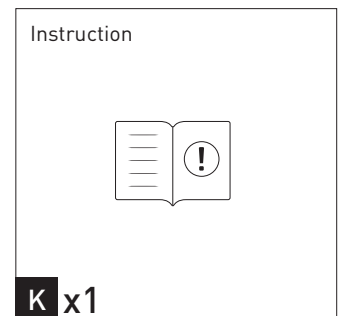
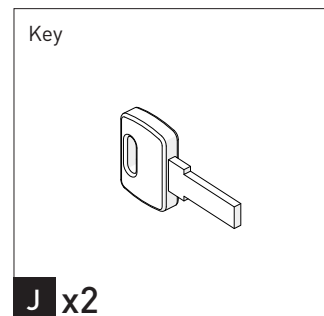
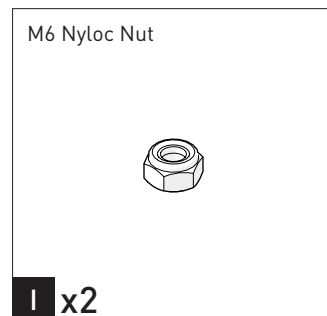
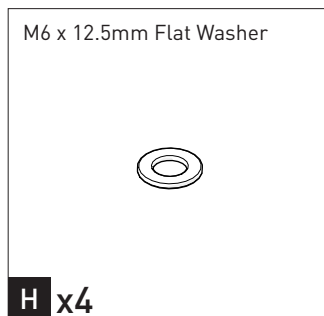
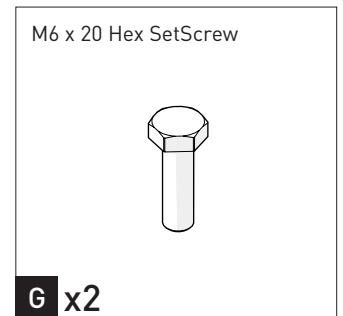
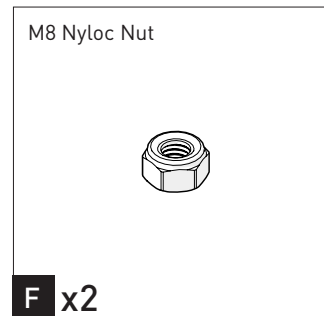
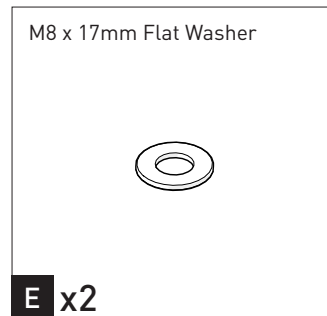
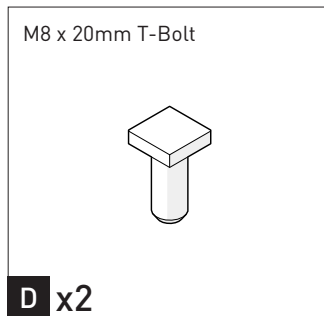
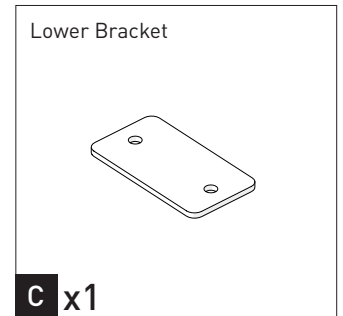
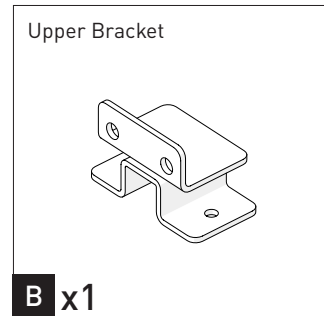
## RLLR Parts List



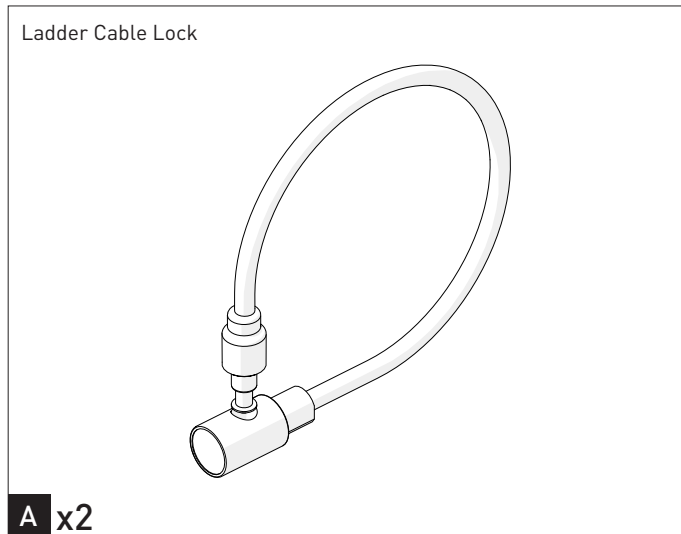
### Tools Required:

**T1** - 10mm Spanner / Socket Wrench

**T2** - 13mm Spanner / Socket Wrench



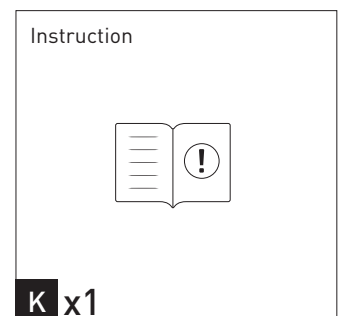
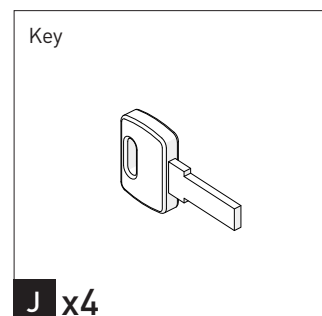
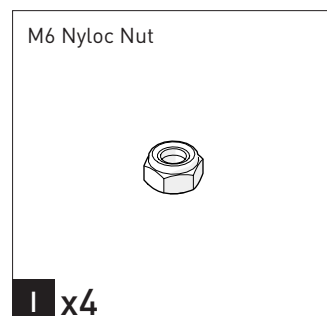
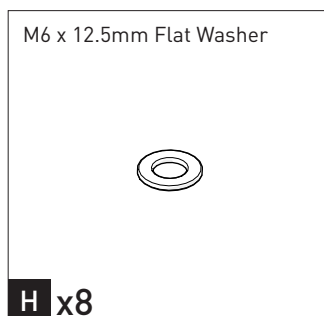
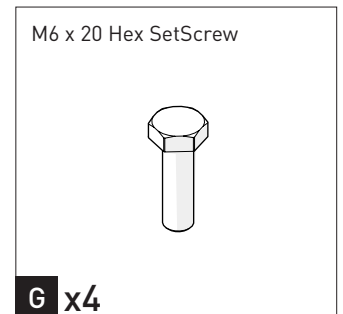
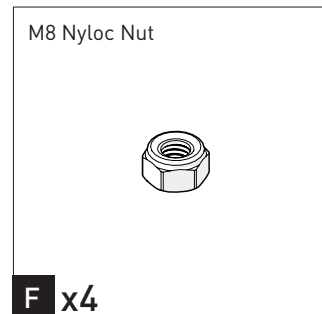
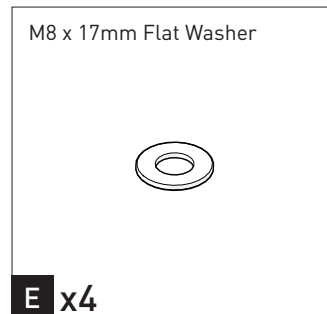
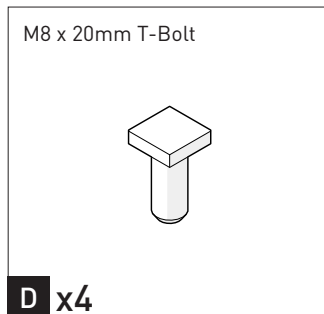
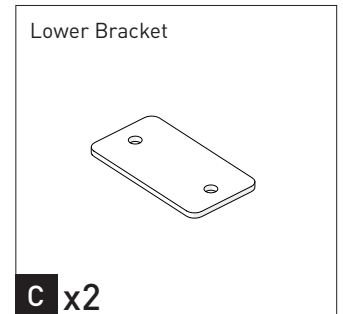
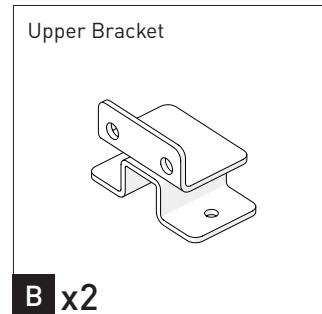
## RLLRPAIR Parts List



### Tools Required:

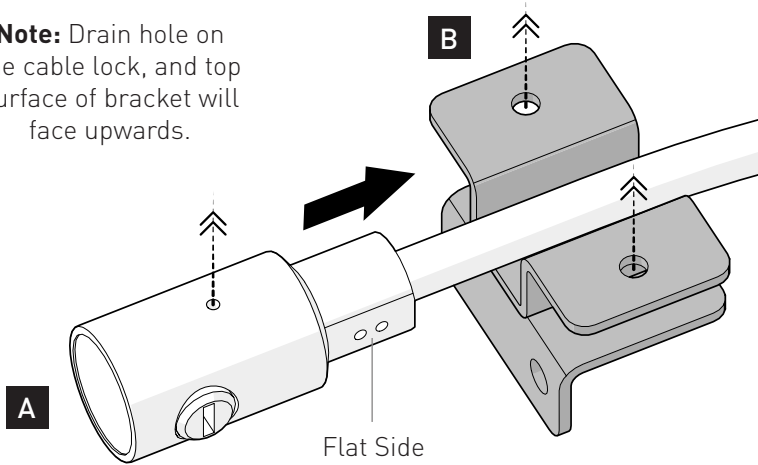
**T1** - 10mm Spanner / Socket Wrench

**T2** - 13mm Spanner / Socket Wrench

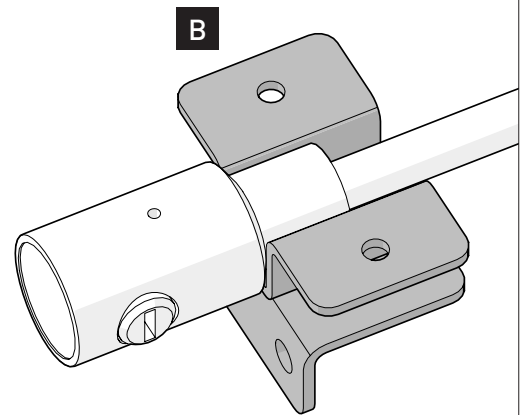


- 1** Place the unlocked cable lock inside the upper bracket. Align the flats of the cable lock parallel with bracket walls.

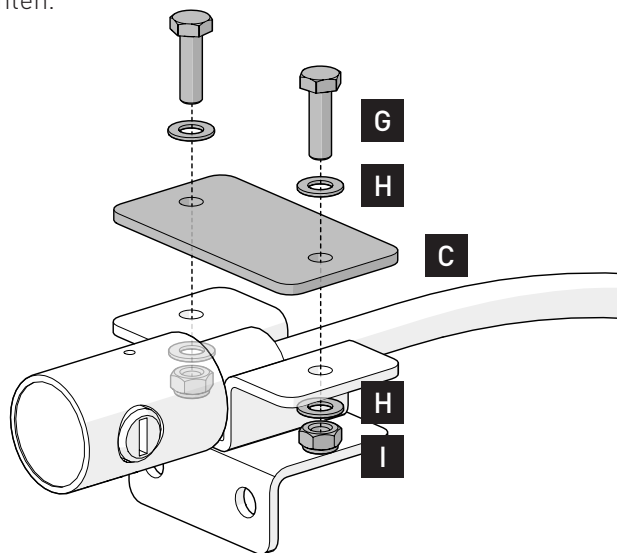
**Note:** Drain hole on the cable lock, and top surface of bracket will face upwards.



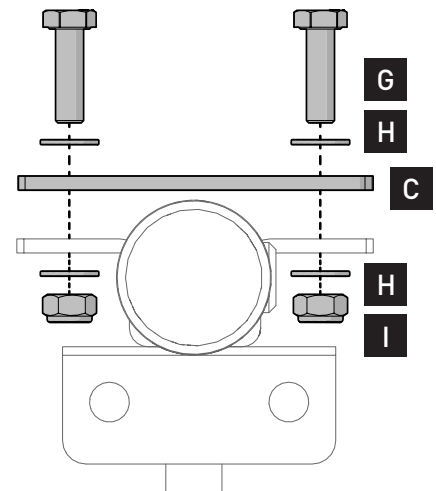
Ensure that the cable is fully housed.



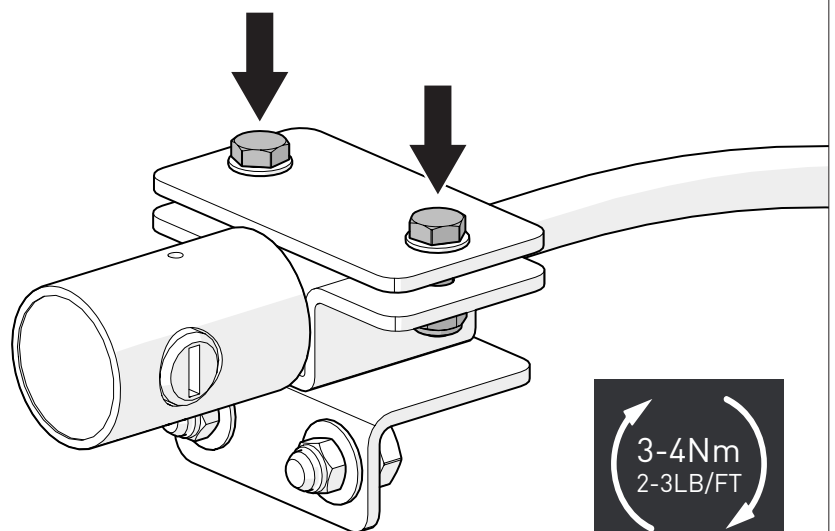
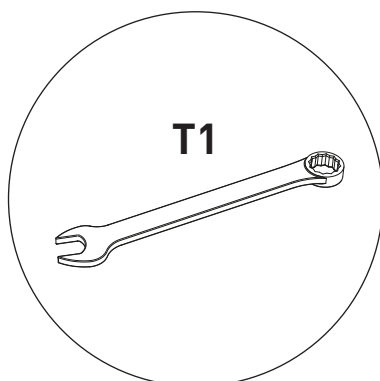
- 2** Finger tighten.



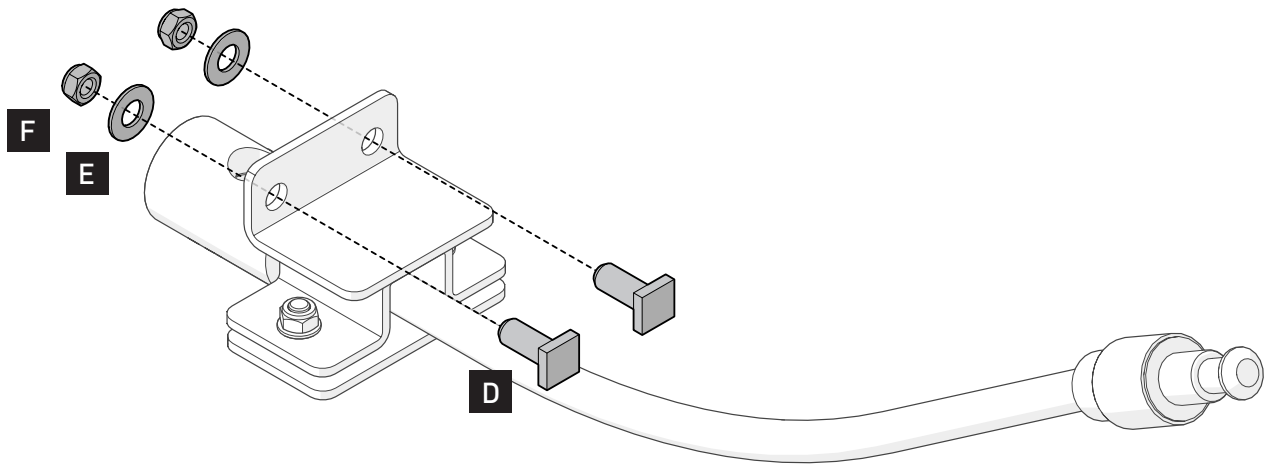
SIDE VIEW



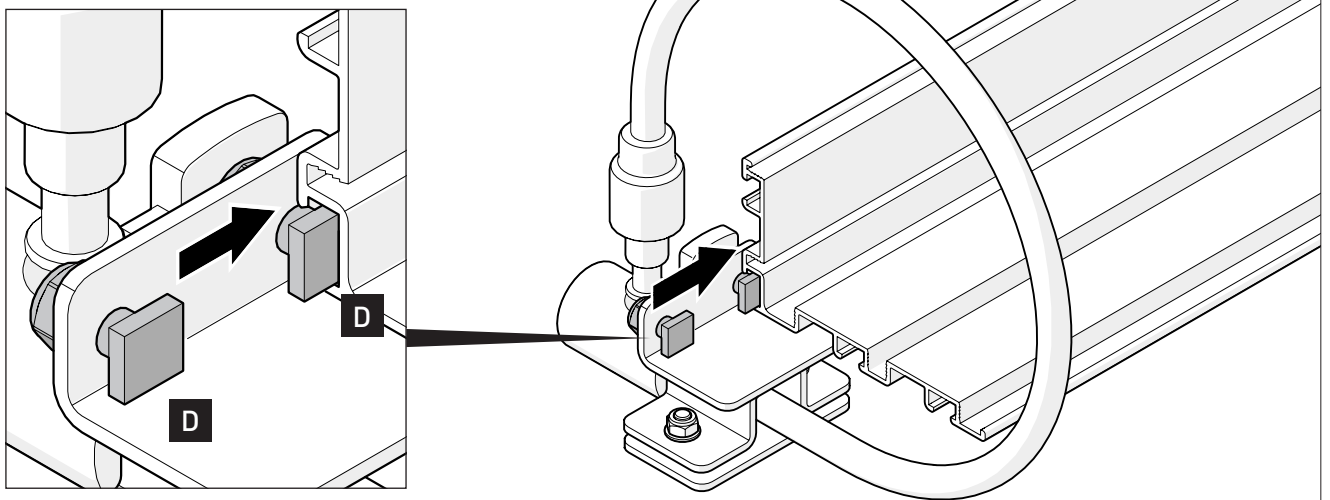
- 3** Tighten hardware.



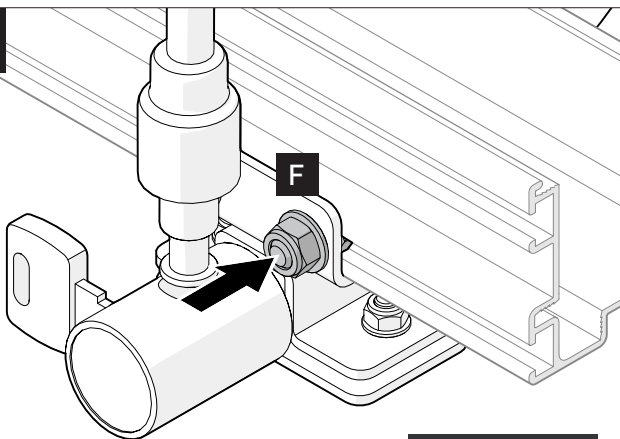
**4** Finger tighten hardware.



**5** Slide T-bolts onto the lower Ladder Rail channel.



**6** Tighten hardware.



Tighten hardware.

**T2**



**7** Lock cable with key provided.

