



RHINO-RACK®

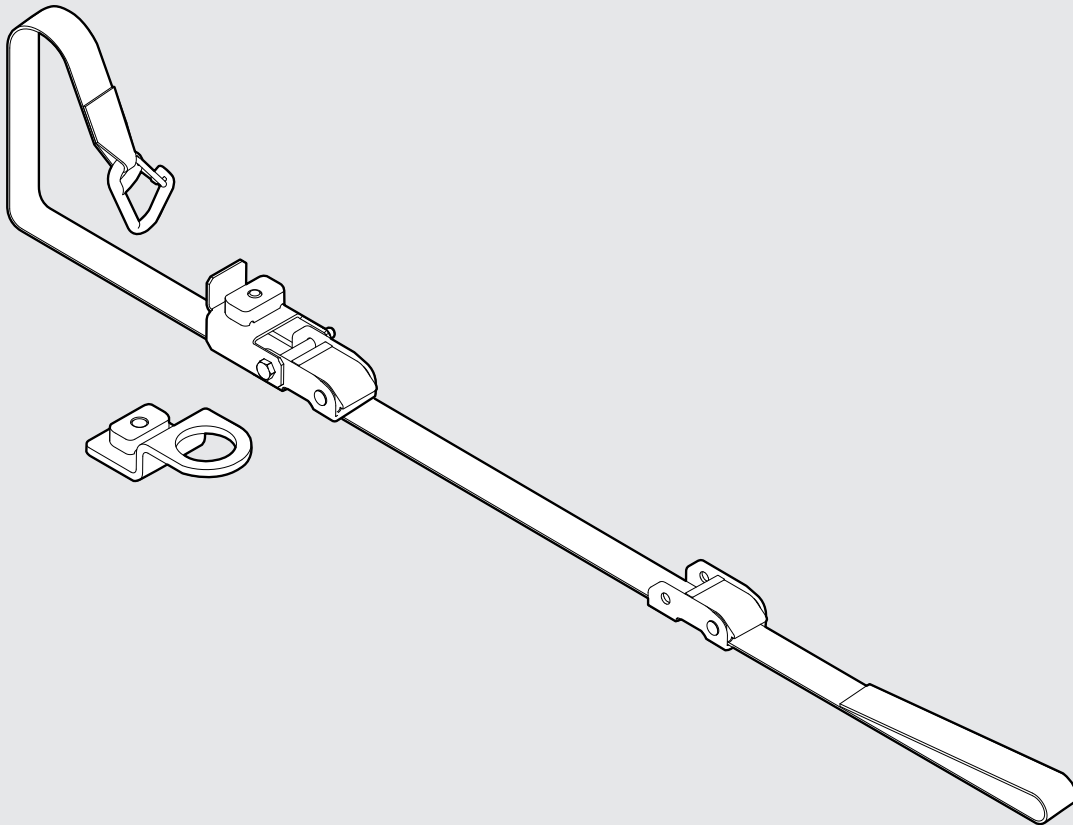
Ladder Restrain Strap

RLS5, RLS5-15

Important:

1. Check the Rhino-Rack website to ensure you have the latest issue of these instructions.
2. Please refer to your fitting instruction to ensure that the accessory is installed in the correctly.
3. Check the contents of kit before commencing fitment and report any discrepancies.
4. Place these instructions in the vehicle's glove box after installation is complete.
5. These instructions must be followed for warranty to be upheld.

Fit Time: 10 min



Rhino-Rack AUSTRALIA
22A Hanson Pl,
Eastern Creek, NSW, 2766
(02) 8846 1900

Rhino-Rack USA
Unit D, 2450 Airport Blvd,
Aurora, CO, 80011
877-744-6622

Rhinorack.com

Document No: RR-47
Issue No: 05
Issue Date: 29/07/2022

RLS5, RLS5-15 Instructions

Carrying Capacity

Refer to vehicle manufacturer's carrying load rating for roof bars.
Ensure that all loads are evenly distributed and that the centre of gravity is kept as low as possible.

Warning

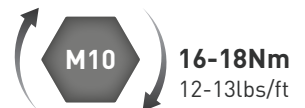
- Do not attempt to fit the accessory to your vehicle unless you fully understand these fitting instructions. Please direct any questions regarding fitting to the dealer from where the product was purchased.
- Off-road conditions can be much more rigorous. Extreme care must be taken in off road conditions.
- Accessory must be removed when vehicle is put through an automatic car wash.
- Always ensure you fasten your load securely.

In service maintenance checks

- All bolted connections should be checked after driving a short distance when you first install your roof racks & accessories.
- All bolted connections should be checked again at regular intervals (every 1000k/621mi) is recommended, depending on road conditions, usage, loads and distances travelled). All bolted connections should be checked each time they are re-fitted.

Torque Settings:

Unless stated otherwise in these instructions, all fasteners should be set to the following torque settings:



Sensitivity to Crosswinds, Behaviour in Curves and Braking.

Remember that the handling characteristics of your vehicle will change when transporting a load on the roof.
Exercise extreme care when transporting wind-resisting loads; special consideration must be taken into account when braking.

Note for Dealers and Fitters

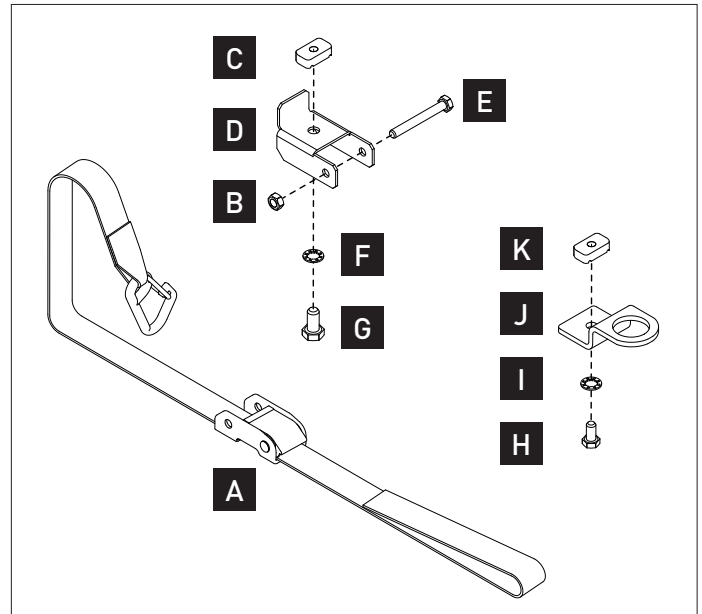
It is your responsibility to ensure these fitting instructions are given to the end user or client. These instructions remain the property of Rhino-Rack Australia Pty. Ltd. and may not be used or changed for any other purpose than intended.

RLS5, RLS5-15 Instructions

Parts List

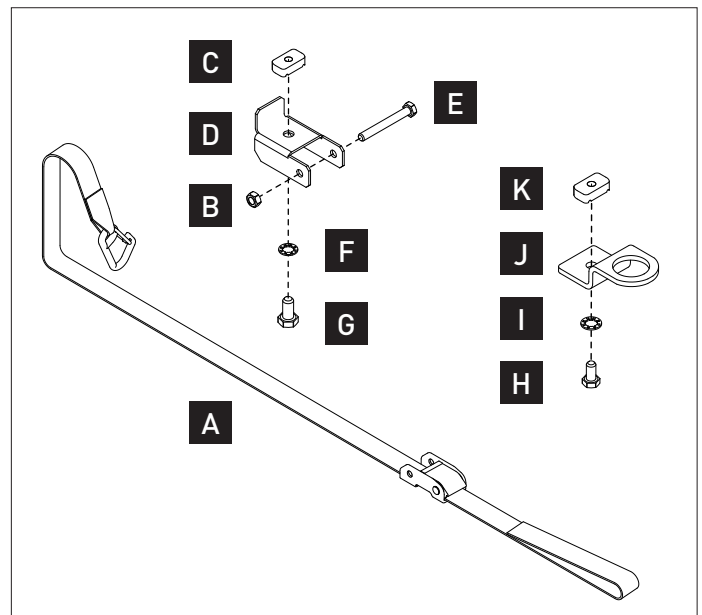
RLS5 Strap

| Item | Component Name | Qty |
|------|---------------------------------|-----|
| A | Camlock, 0.5m Strap & Snap Hook | 1 |
| B | M6 Nyloc Nut | 1 |
| C | M8 Channel Nut | 1 |
| D | U-Section Strap Bracket | 1 |
| E | M6 x 50mm Hex Bolt | 1 |
| F | M8 Shake Proof Washer | 1 |
| G | M8 x 16mm Hex Bolt | 1 |
| H | M10 x 20mm Hex Bolt | 1 |
| I | M10 Shake Proof Washer | 1 |
| J | RLS4/5 Snap Hook Bracket | 1 |
| K | M10 Channel Nut | 1 |
| L | Fitting Instruction | 1 |

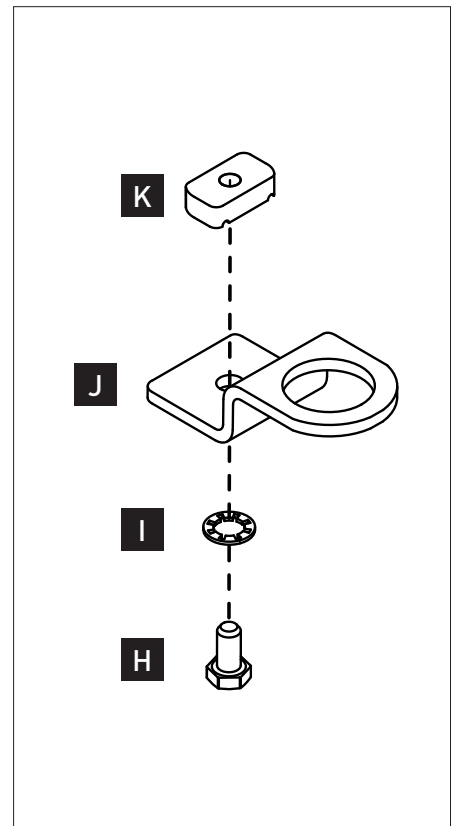
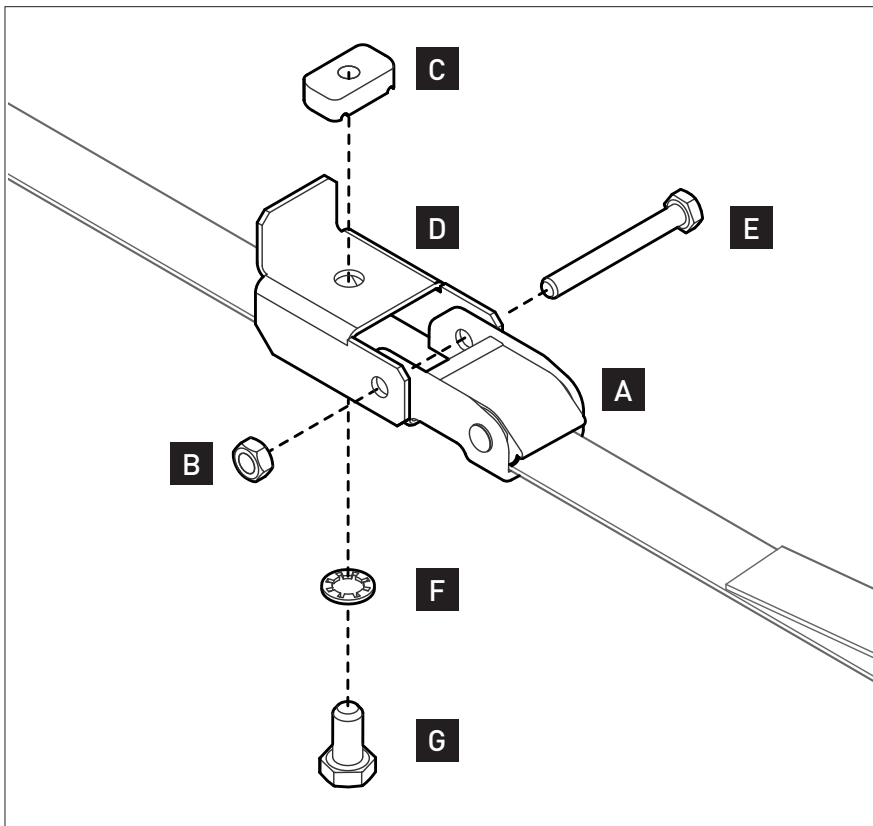


RLS5-15 Strap

| Item | Component Name | Qty |
|------|---------------------------------|-----|
| A | Camlock, 1.5m Strap & Snap Hook | 1 |
| B | M6 Nyloc Nut | 1 |
| C | M8 Channel Nut | 1 |
| D | U-Section Strap Bracket | 1 |
| E | M6 x 50mm Hex Bolt | 1 |
| F | M8 Shake Proof Washer | 1 |
| G | M8 x 16mm Hex Bolt | 1 |
| H | M10 x 20mm Hex Bolt | 1 |
| I | M10 Shake Proof Washer | 1 |
| J | RLS4/5 Snap Hook Bracket | 1 |
| K | M10 Channel Nut | 1 |
| L | Fitting Instruction | 1 |

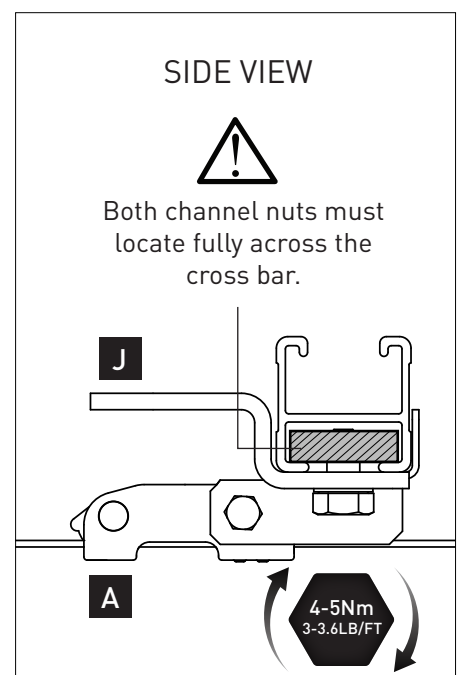
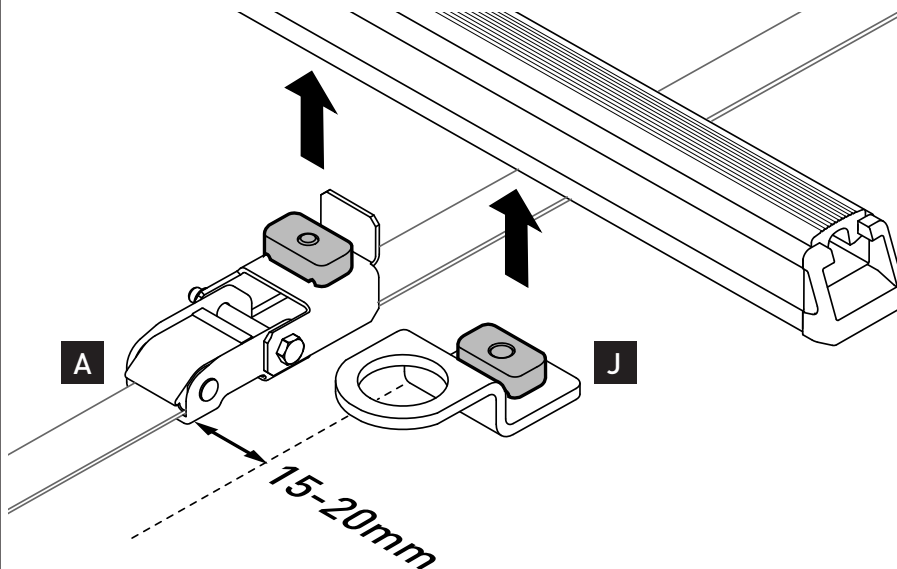


1 Assemble hardware.



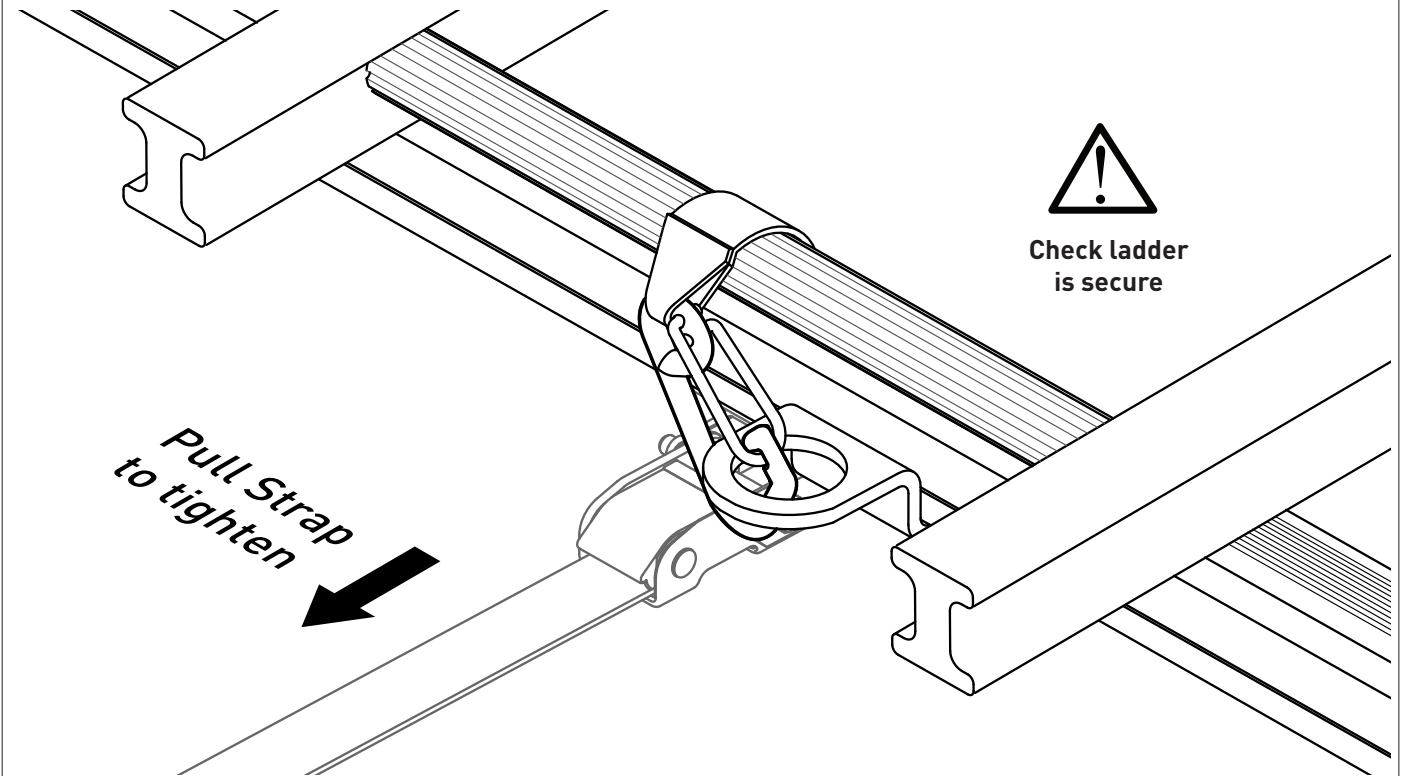
2 UNDER SIDE OF CROSS BAR MOUNTED STRAP (Recommended Fitment):

- 1) Insert the camlock and hook bracket to the underside of the cross bar 15-20mm apart.
- 2) Place channel nut into the underside channel ensuring channel nuts are fully rotated across the crossbar as shown.
- 3) Position the Camlock and Hook bracket to suit the ladder and tighten bolts.



- 3** Wrap the snap hook end of the strap around the ladder rungs and cross bar, ensuring the safety latch is fully closed. Pull strap to tighten.

NOTE: When travelling with out a ladder, locate the snap hook onto the hook bracket.



- 4** To release tension, press the camlock latch and pull the strap back through the camlock.

