



RHINO-RACK

Aerodynamic & Heavy Duty Roof Rack Systems

RR470, RR540, RR615, RR680 Rhino Commercial - Alloy Roller with Brackets

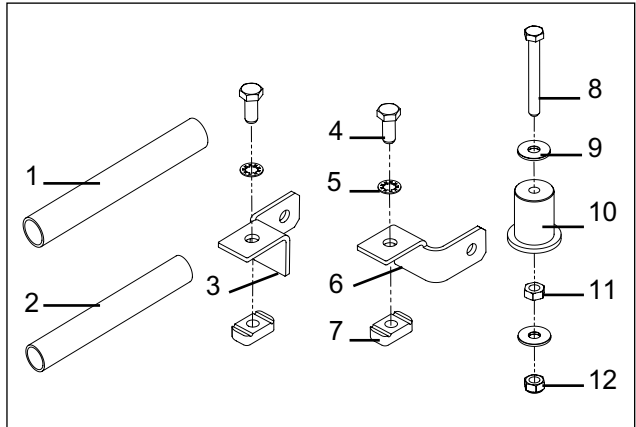
Place these instructions in the vehicle's glove box after installation is complete.

Important: Please read these instructions carefully prior to installation. Please refer to your fitting instruction to ensure that the roof racks are installed in the correct locations.

Parts List

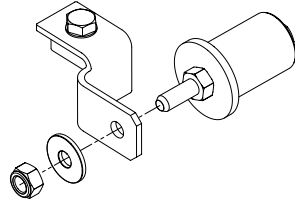
Important: Check the contents of kit before commencing fitment and report any discrepancies.

Item	Component Name	Qty.	Part No.
1	Alloy Tube	1	A192
2	Roller Sleeve	1	R020
3	Right Hand Roller Angle Bracket	1	C024
4	M10 x 25mm Hex Bolt	2	B071
5	M10 Shake Proof Washer	2	W021
6	Left Hand Roller Angle Bracket	1	C023
7	M10 Channel Nut	2	N024
8	M10 x 90mm Hex Bolt	2	B055
9	M10 x 30mm Flat Washer	4	W023
10	Roller Bush	2	M023
11	M10 Hex Nut	2	N021
12	M10 Nyloc Nut	2	N010
13	Fitting Instruction	1	RR13



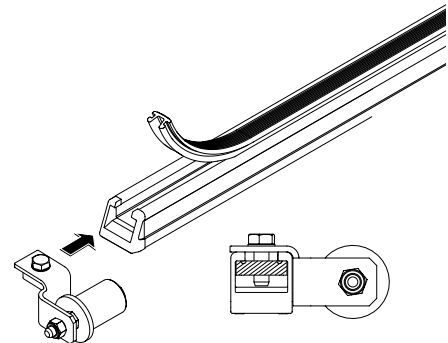
Remove the nut and washer from the bush assembly, assemble the roller bracket on to the bush shaft. Assemble the washer and nyloc nut, tighten nut to secure the roller bush onto the bracket. Assemble both roller brackets.

1



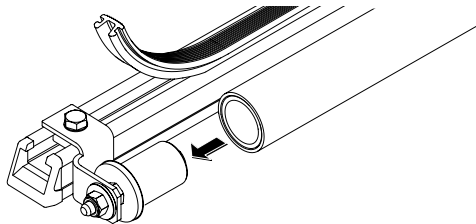
Locate the channel nut into the crossbar recess, turn the attachment bolt so that the channel nut rotates and locate across the crossbar, tighten.

2



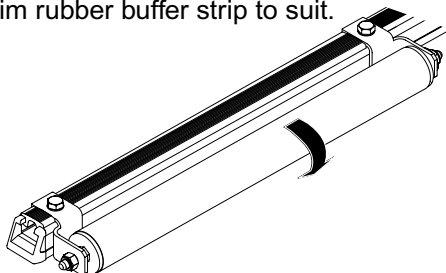
Slide the roller and sleeve assembly onto the roller bush.

3



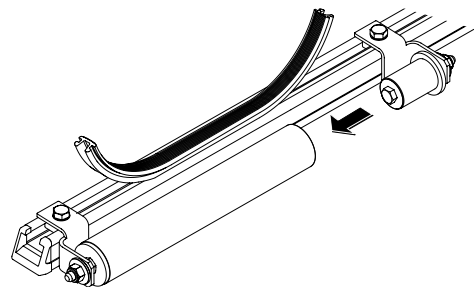
Adjust the roller bracket assembly so that the roller rotates freely. Tighten the M10 bolt as per instruction 2, check that the channel nut is fully located across the crossbar. Trim rubber buffer strip to suit.

5



Locate the remaining roller bracket assembly into the crossbar as per instruction 2, locating the other end of the roller into the roller bush.

4



Rhino-Rack
3 Pike Street, Rydalmere,
NSW 2116, Australia.
(Ph) (02) 9638 4744 (Fax) (02) 9638 4822

Prepared By: Sheila Oliveira
Authorised By: Gary England
Document No: RR-13
Issue No: 03
Issue Date: 27/05/2003

These instructions remain the property of Fetovu Pty Ltd T/as Rhino-Rack and may not be used or changed for any other purpose than intended.