



RHINO-RACK®

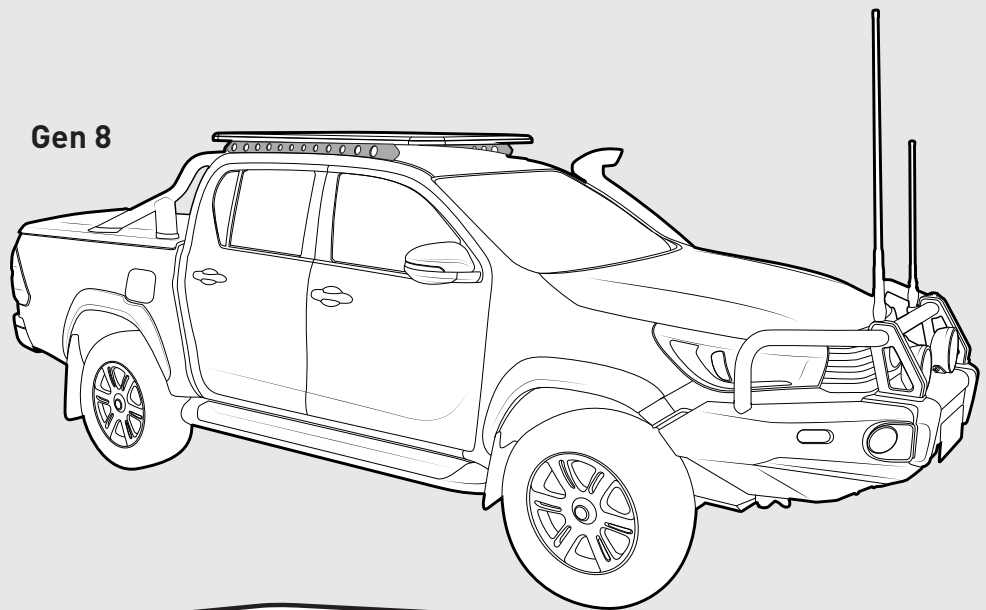
Toyota HiLux Gen 7 & Gen 8 Dual Cab Backbone RTHB1

Important:

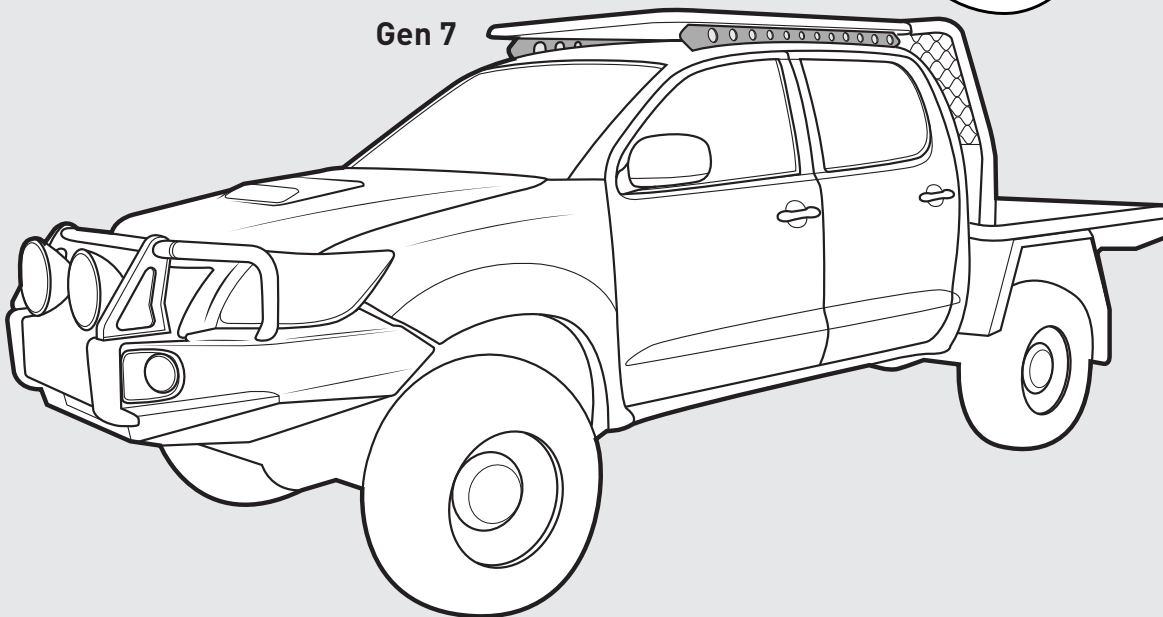
1. Check the Rhino-Rack website to ensure you have the latest issue of these instructions.
2. Please refer to your fitting instruction to ensure that the roof racks are installed in the correct locations.
3. Check the contents of kit before commencing fitment and report any discrepancies.
4. Place these instructions in the vehicle's glove box after installation is complete.
5. These instructions must be followed for warranty to be upheld.

Fit Time: 30 min

Gen 8



Gen 7



Rhino-Rack AUSTRALIA
22A Hanson Pl,
Eastern Creek, NSW, 2766
(02) 8846 1900
rhinorack.com.au

Rhino-Rack USA
Unit D, 2450 Airport Blvd,
Aurora, CO, 80011
877-744-6622
rhinorack.com

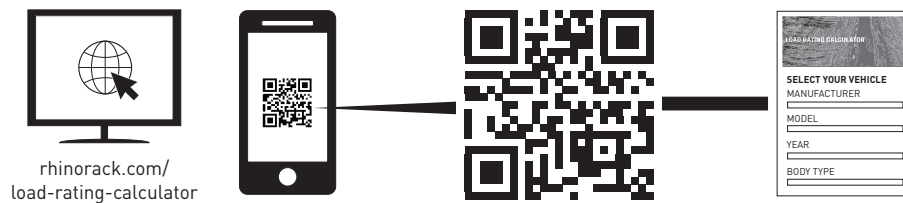
Rhino-Rack CANADA
19100 Airport Way
Pitt Meadows, BC V3Y OE2
rhinorack.ca

Document No: R2449
Issue No: 04
Issue Date: 10/08/2020

RTHB1 Instructions

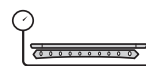
Carrying Capacity

Check the website and the vehicle owners hand book for your vehicle manufacturer's maximum carrying capacity. Load must be evenly distributed over the system.



Cargo Load Limit

Total permissible weight allowed on top, and attached to the bed rack whilst the vehicle is in motion.



System Weight

Total weight of the bed rack system. (e.g. Crossbars, Backbone, Platform)



Max System Load Capacity

Please ensure you use the vehicle manufacturer's maximum bed rack allowance if it is lower than the figure listed in the fitting chart/supplement.



Vehicle Manufacturer's Load Limit

Total permissible weight attached to the bed rack. This is inclusive of the weight of the bed rack system.

Warning

- Check part number or kit is correct for use with your vehicle.
- Do not attempt to fit the bed rack system to your vehicle unless you fully understand these fitting instructions. Please direct any questions regarding fitting to the dealer from where the roof racks were purchased.
- Off-road conditions can be much more rigorous. Extreme care must be taken on any driven path that does not contain a surface protection layer (tar/bitumen).
- Bed racks must be removed when vehicle is put through an automatic car wash.
- With utility/pick up vehicles, the cabin and the truck bed move independently. Bed racks and vehicle can be damaged if the item transported is rigidly fixed at points on both the cabin and truck bed. Instead, rigidly fix to either the bed racks or the canopy roof racks.
- Always ensure you fasten your load securely.
- Use only non-stretch fastening ropes or straps to attach cargo to your load.

In service maintenance checks

- All bolt connections should be checked after driving a short distance when you first install your roof racks.
- All bolted connections should be checked again at regular intervals (weekly is recommended, depending on road conditions, usage, loads and distances travelled).
- All bolted connections should be checked each time they are re-fitted.
- Off-road conditions are more rigorous. Check all bolted connections and your load more regularly.
- Ensure that your vehicle manufacturer's GVM, and gross axle weights are not exceeded (refer to vehicle owner's manual).

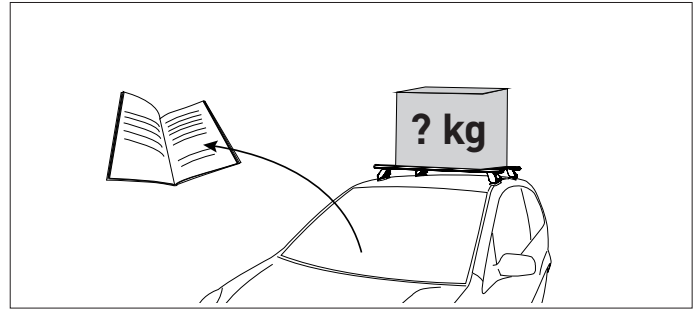
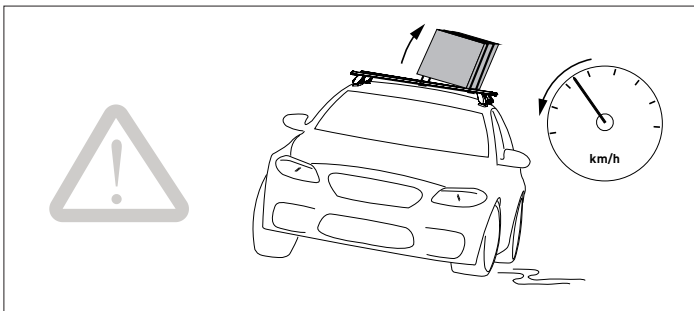
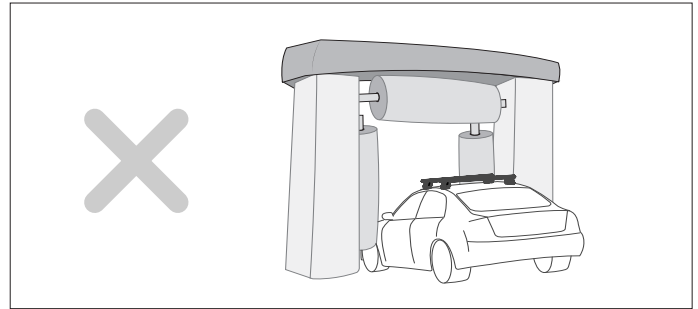
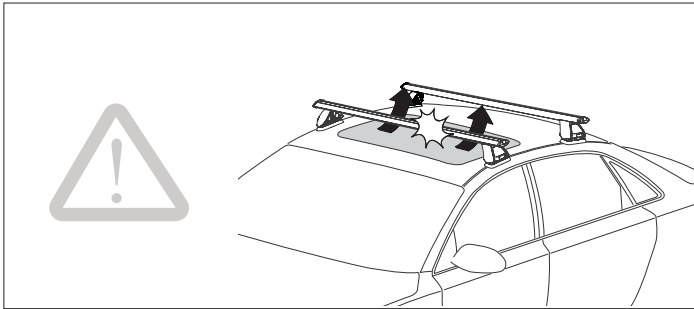
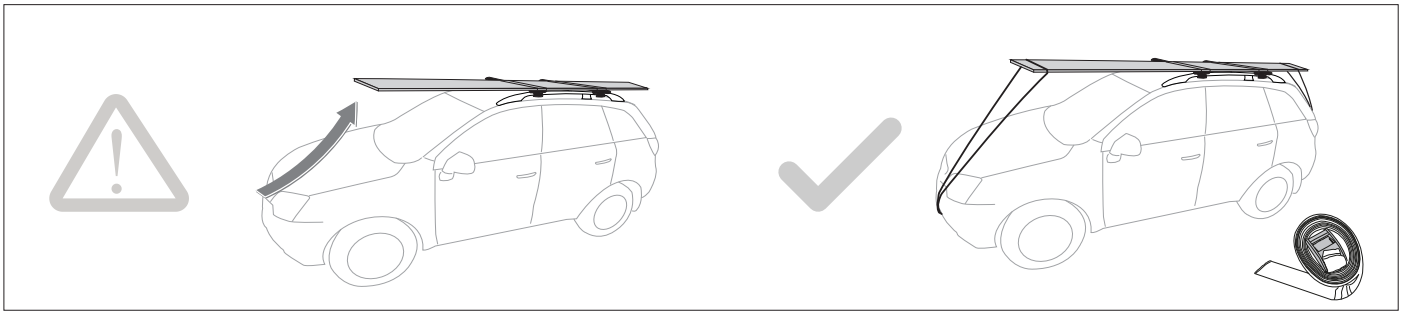
Torque Settings

Unless stated otherwise in these instructions, all fasteners should be set to the following torque settings:

- M6: 4-5Nm (3-4lbs/ft),
- M8: 8-10Nm (6-7.5lbs/ft)
- M10: 16-18Nm (12-13lbs/ft).

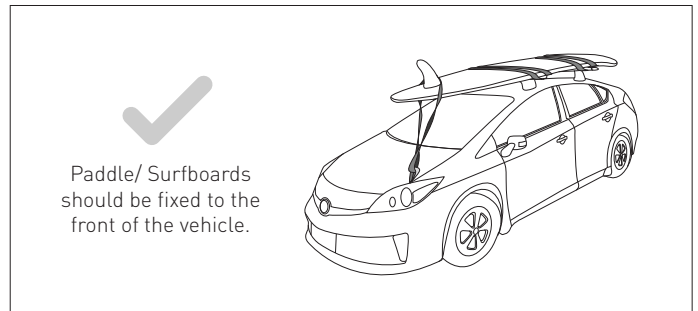
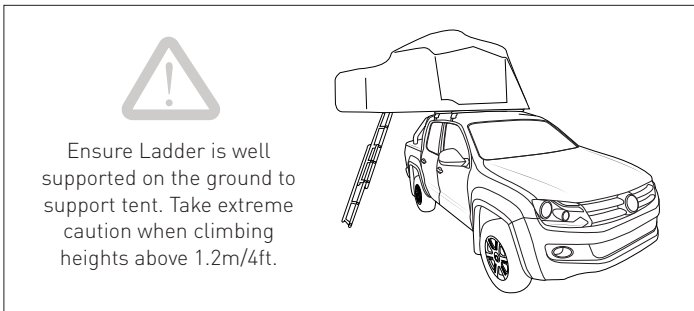
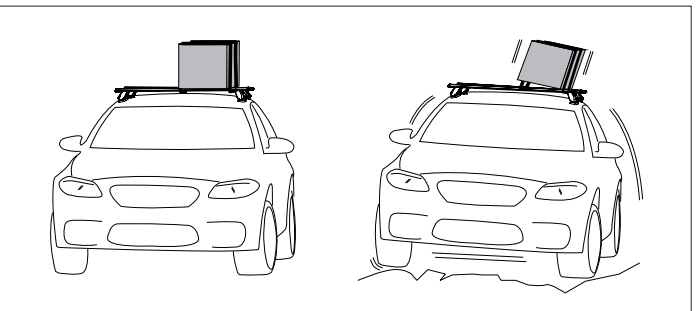
Note for Dealers and Fitters

It is your responsibility to ensure these fitting instructions are given to the end user or client. These instructions remain the property of Rhino-Rack Australia Pty. Ltd. and may not be used or changed for any other purpose than intended.



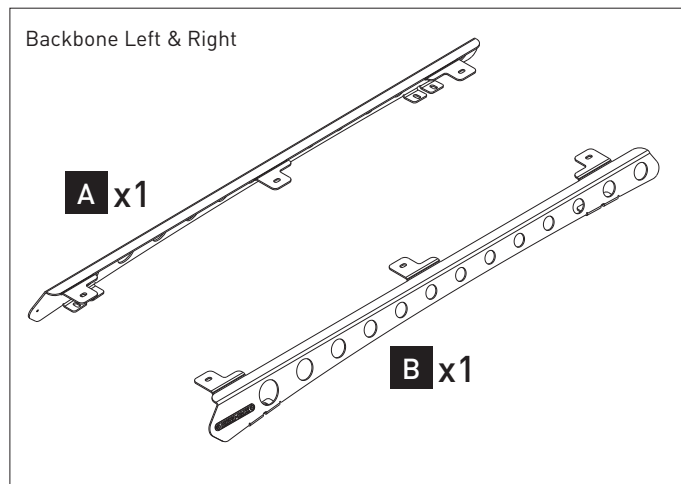
The handling characteristics of the vehicle changes when a load is transported on the roof. Exercise extreme care when transporting wind-resistant loads. Special consideration must be taken when cornering and braking.

Off-road conditions can be much more rigorous. Extreme care must be taken in off-road conditions.

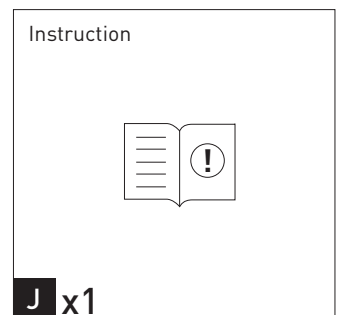
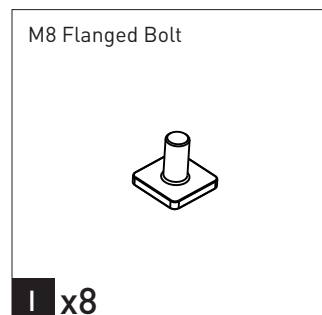
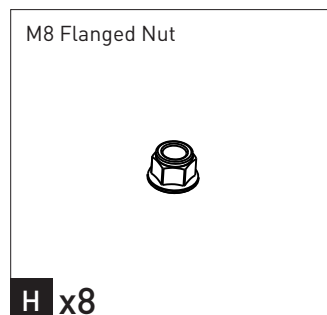
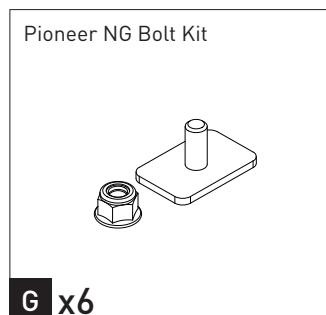
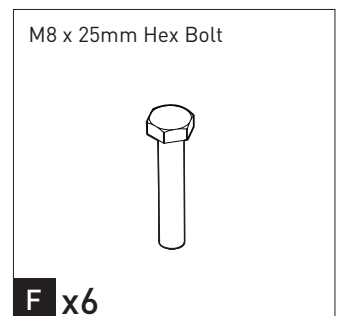
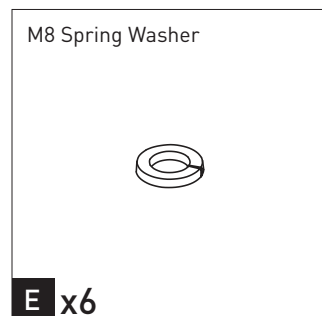
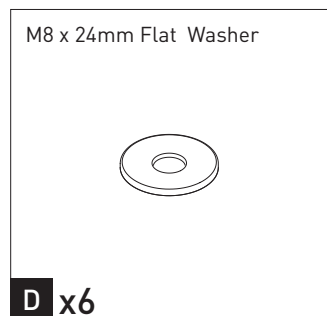
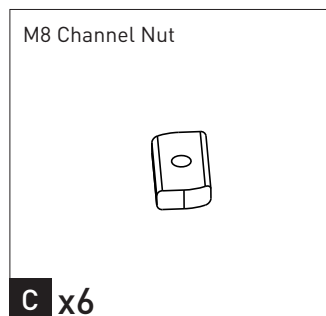


RTHB1 Instructions

Parts List

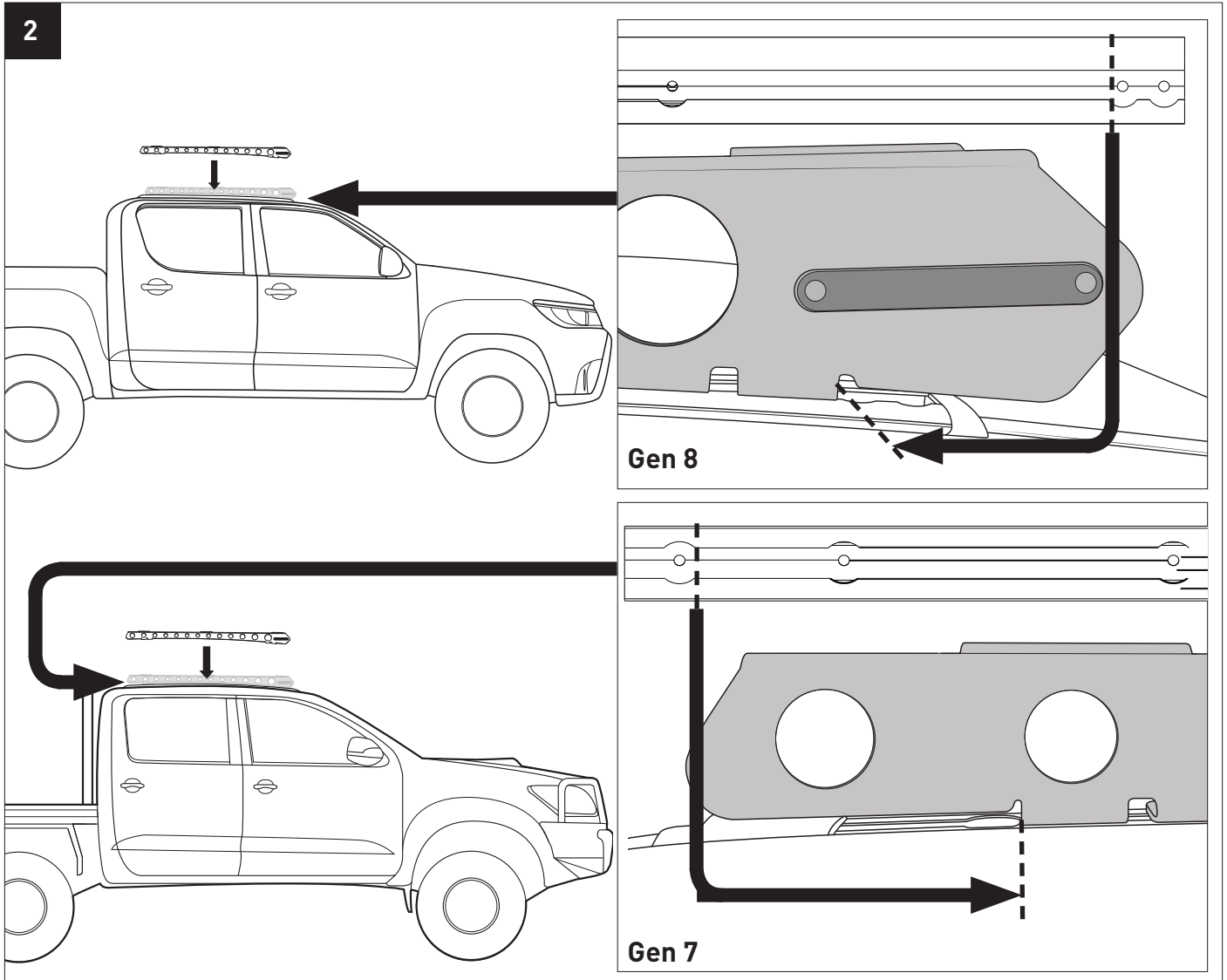
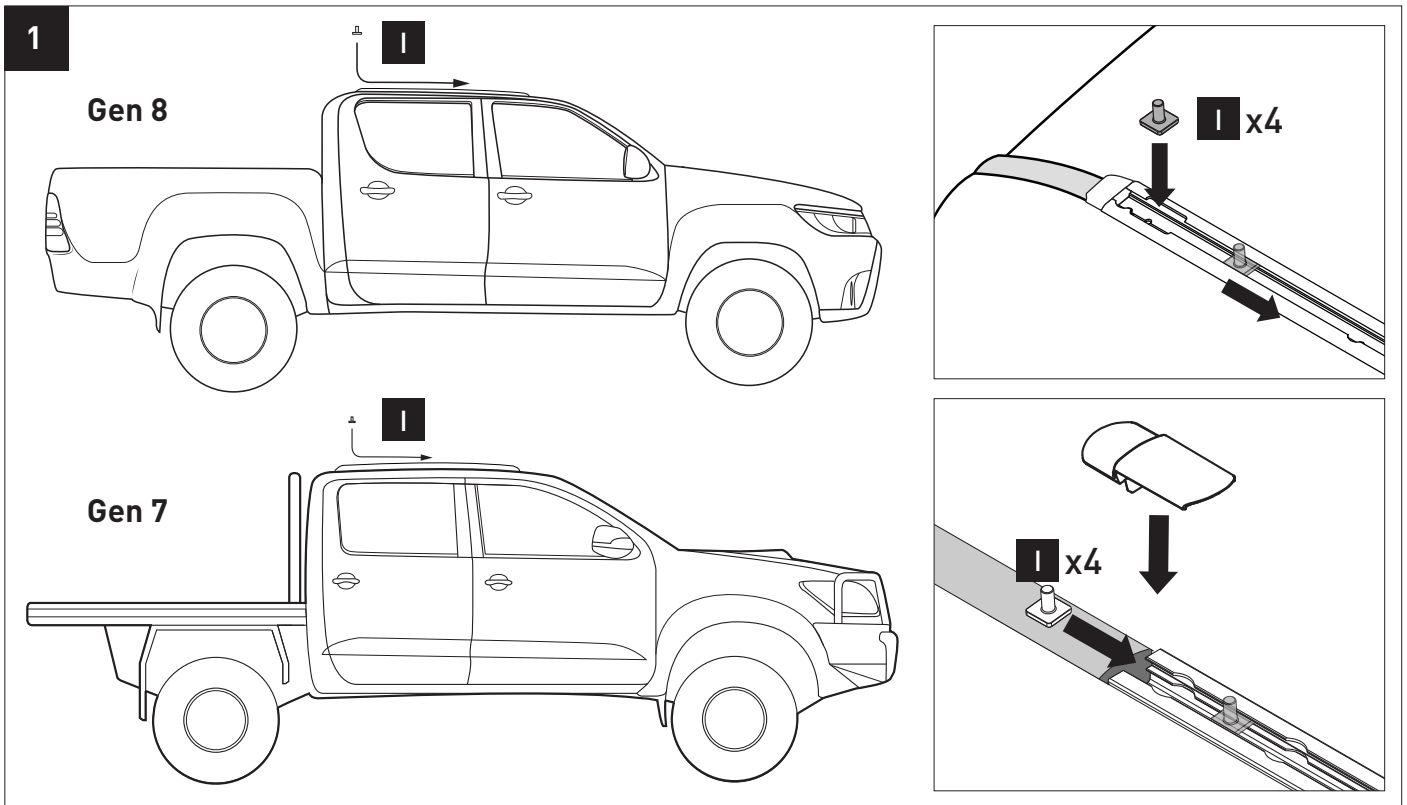


Tools Required:
T1 - 13mm socket wrench

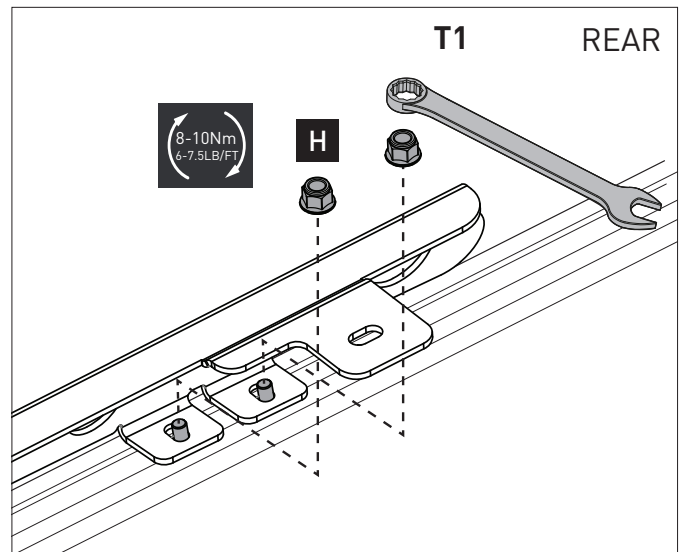
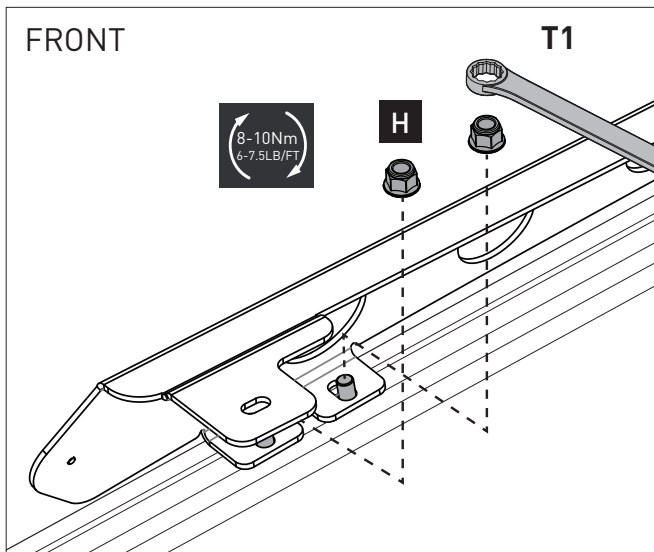


NOTE: Installed track mount kit required to complete fit.





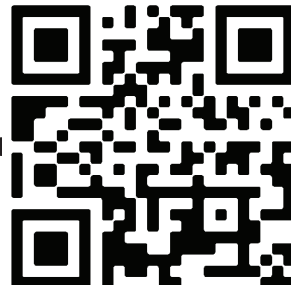
3 Repeat steps **1** - **3** to opposite side of vehicle



4 PLATFORM INSTALLATION



rhinorack.com/roof



EXAMPLE ONLY

RHINO-RACE | PIONEER VEHICLE FITTING INFORMATION

VEHICLE	PERMITS	CONDITIONS	WEIGHT LOADS (UNLIMITED)
MODEL	TYPE	ROOF	
2015-2017	100	100	100
2018-2019	100	100	100
2020-2021	100	100	100

ROOF THE DELTA
 DELTA = (VEHICLE MANUFACTURER'S ROOF ALLOWANCE) - (RTHB1 WEIGHT) = (ROOF LOAD LIMIT)

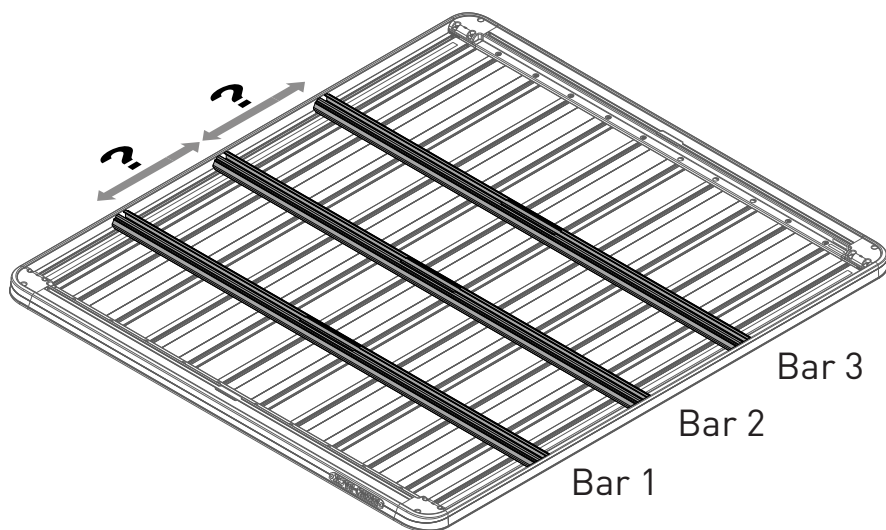
VEHICLE MANUFACTURER'S ROOF LOAD LIMIT

UP TO 96 Kg + 24 Kg = UP TO 120 Kg
 212 lbs + 53 lbs = 265 lbs

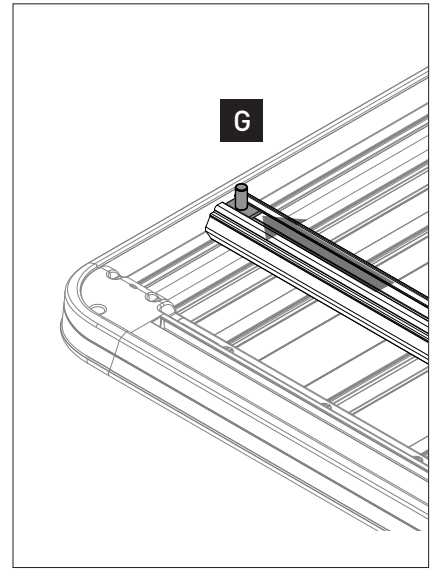
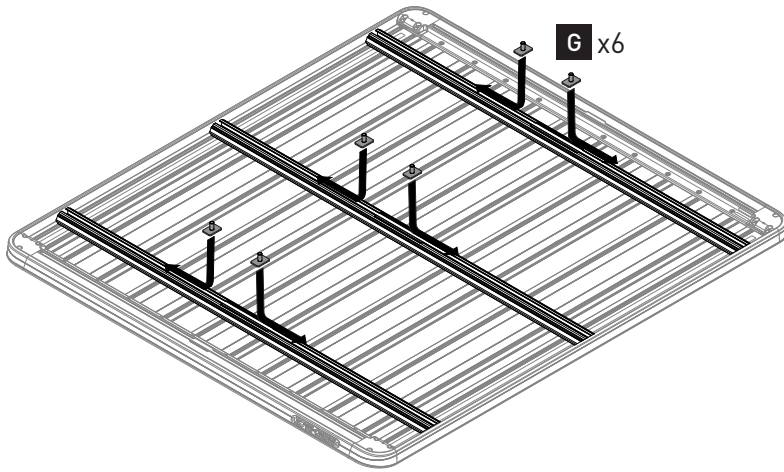
UNDERBAR SPACING

BAR #	A	B	C	D	E	F	G
1	100	100	100	100	100	100	100
2	100	100	100	100	100	100	100
3	100	100	100	100	100	100	100

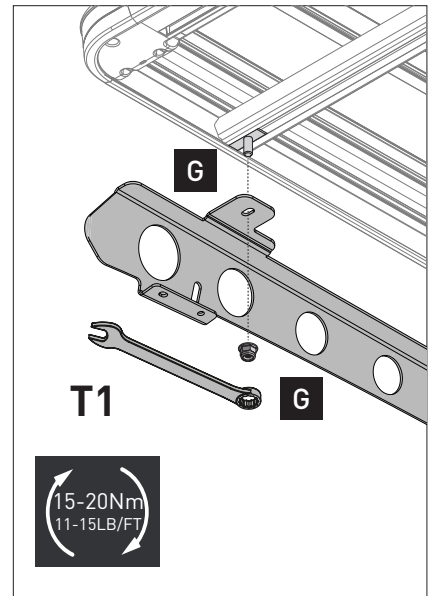
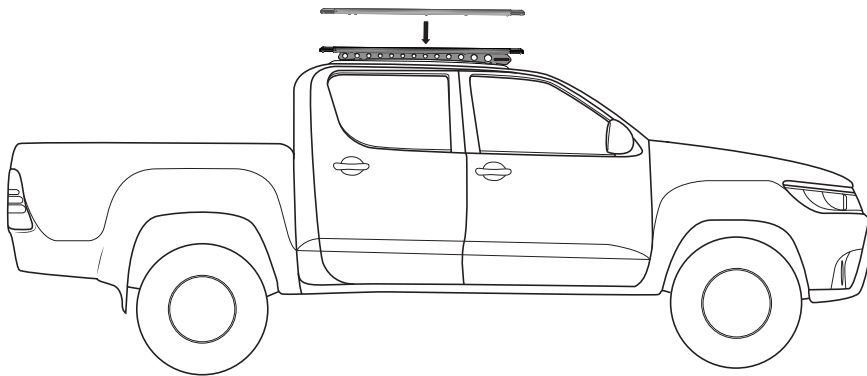
View Fitting Chart



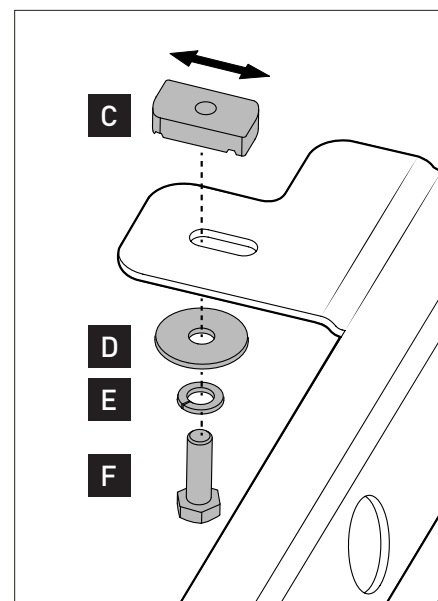
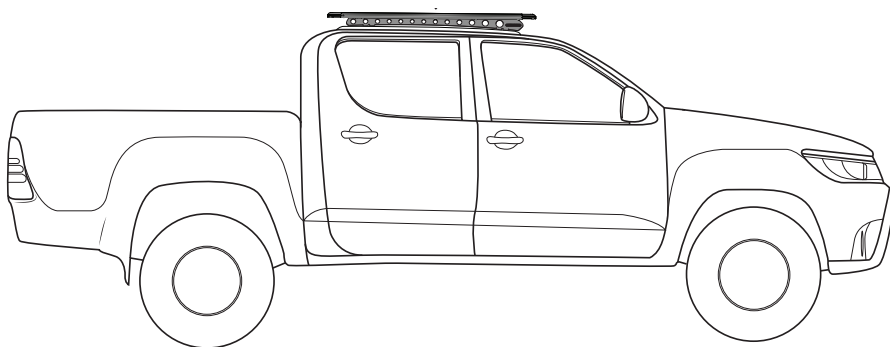
5 For 5XXX Series Platform



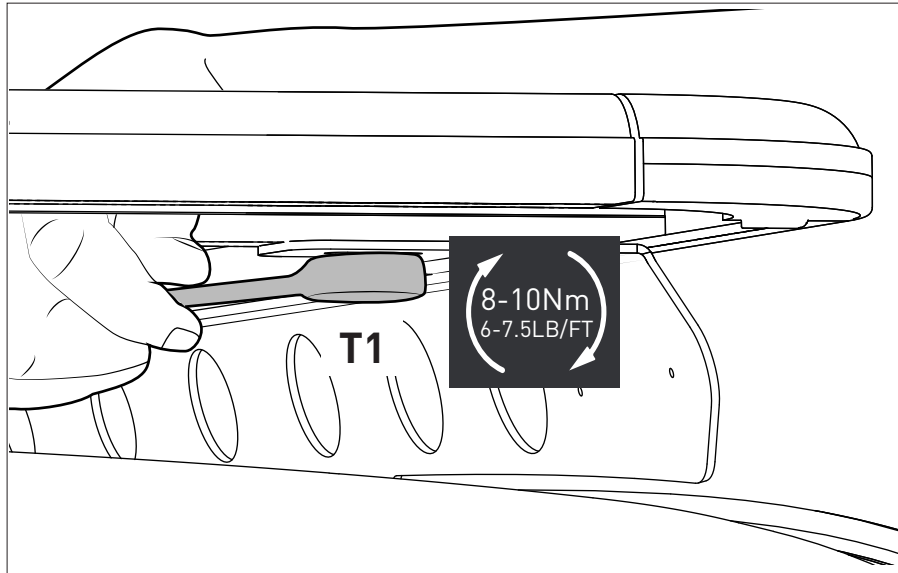
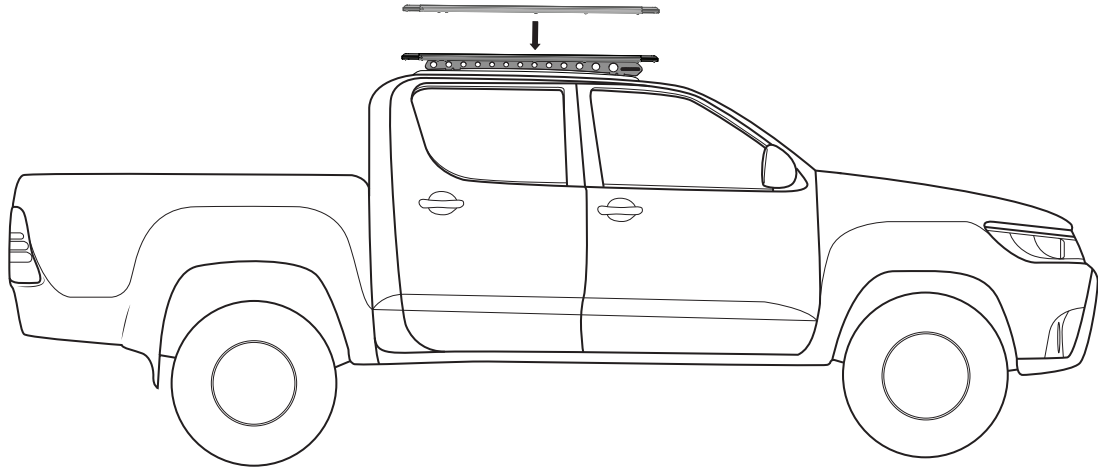
6 For 5XXX Series Platform



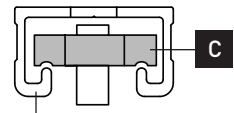
7 For 4XXX Series Platform



8 For 4XXXX Series Platform



Ensure channel nut has rotated within Pioneer underbar and is fixing Pioneer securely.



Pioneer underbar