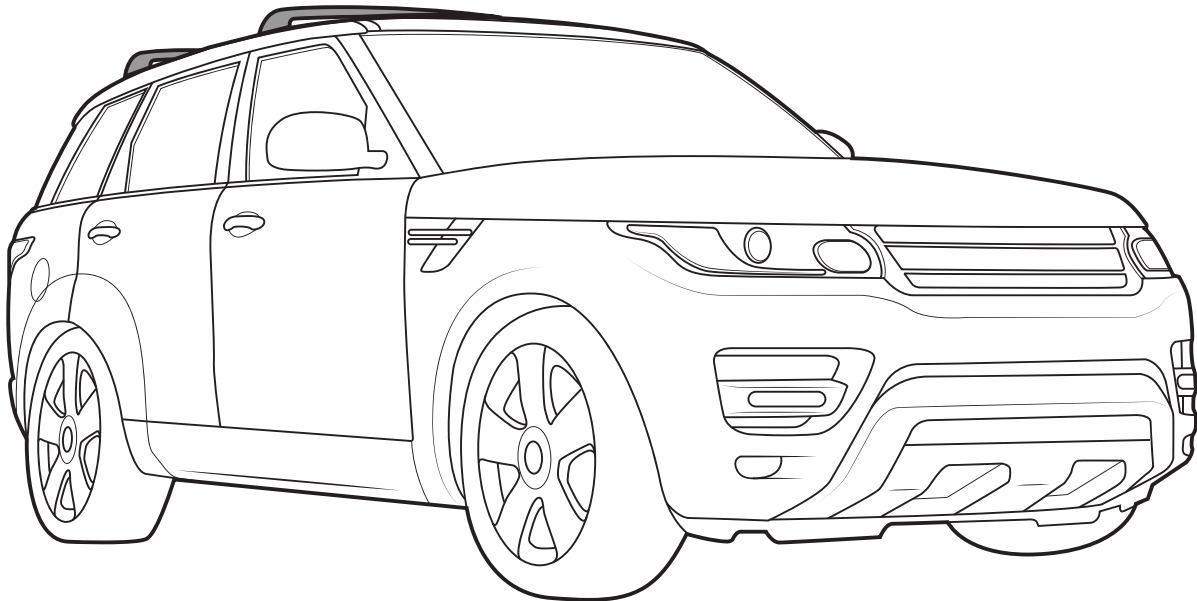




RHINO-RACK

RTS551 Range Rover Sport

- Important:**
- 1. Please refer to your fitting instruction to ensure that the roof racks are installed in the correct locations.
 - 2. Check the contents of kit before commencing fitment and report any discrepancies.
 - 3. Place these instructions in the vehicle's glove box after installation is complete.
 - 5. These instructions must be followed for warranty to be upheld.



RCL RCH crossbars - 1375mm.

RVL RVH crossbars - Front 1126mm, Rear 1117mm

Maximum carrying capacity: up to 100kg (220lbs) evenly distributed over crossbars. Please refer to your vehicle manufacturers handbook for maximum roof loading. Always use the lower of the two figures.

Advisory:

It is essential that all bolt connections be checked after 48hrs from when you first install your crossbars. Bolt connections should be checked again at regular intervals (once a week is enough, depending on road conditions, usage, loads and distances travelled). You should also check the crossbars each time they are refitted. Make sure to fasten your load securely. Please ensure that all loads are evenly distributed and that the centre of gravity is kept as low as possible.

Use only non-stretch fastening ropes or straps.

Load Ratings

When these roof racks are to be used on a vehicle that is driven off sealed roads, the manufacturer maximum roof load rating (to be found in the vehicle's User Manual) should be divided by a safety factor of **1.5**. For example, if the vehicle's maximum roof load rating is 100kgs\220lbs, these racks, when fitted to this vehicle should have no more than 66kgs/145lbs loaded on them.

Caution:

The handling characteristics of the vehicle changes when you transport a load on the roof. For safety reasons we recommend you exercise extreme care when transporting wind-resistant loads. Special consideration must be taken into account when cornering and braking. **Please remove crossbars when putting vehicle through an automatic car wash.**

Note for Dealers and Fitters: It is your responsibility to ensure instructions are given to the end user or client.

Rhino-Rack
3 Pike Street, Rydalmere,
NSW 2116, Australia.
(Ph) (02) 9638 4744

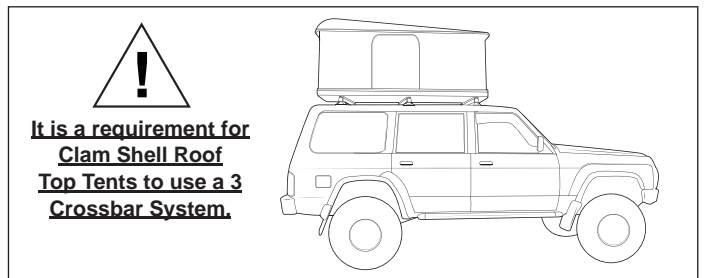
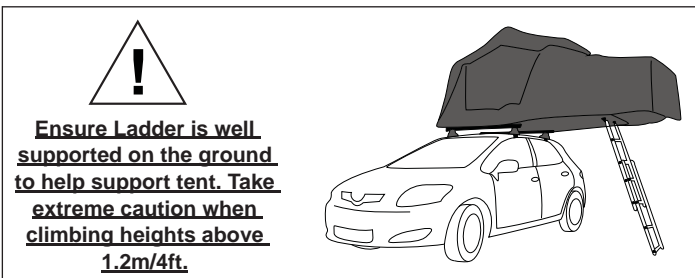
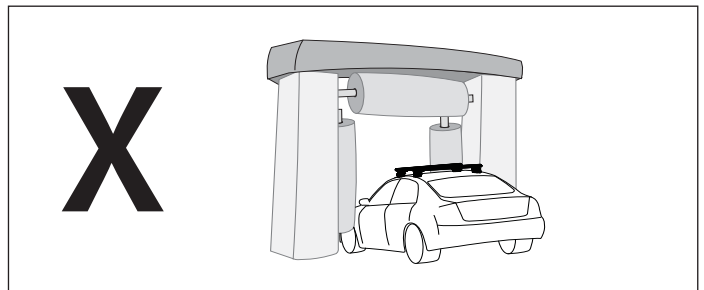
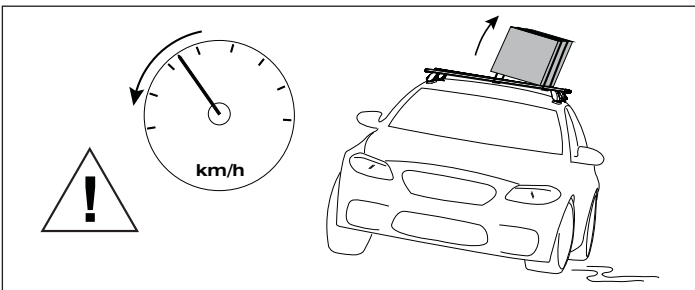
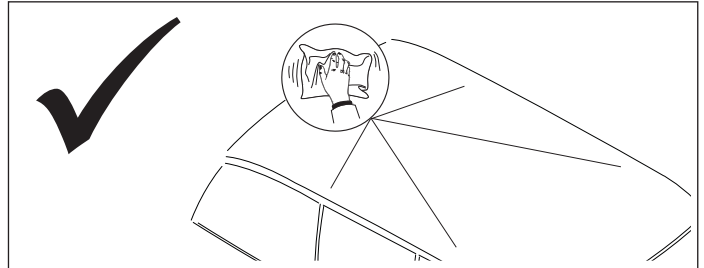
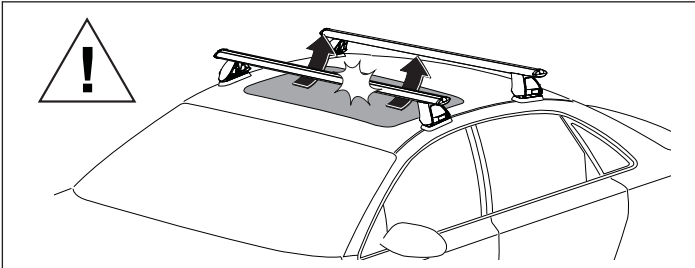
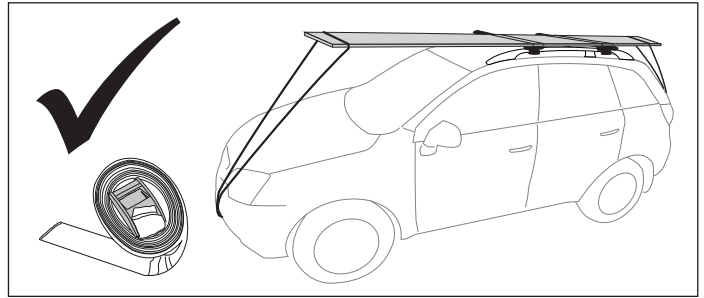
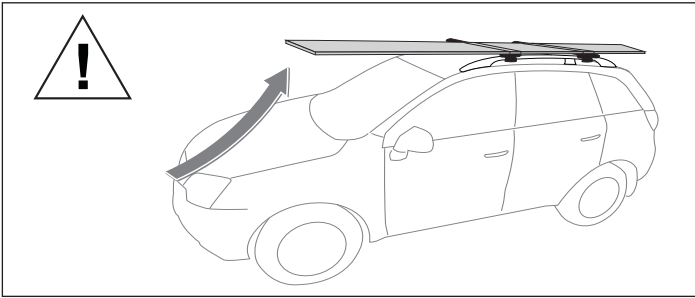
Document No: R1219
Prepared By: Kayle Everett
Authorised By: Chris Murty

Fit Time: 45min
Issue No: 02
Issue Date: 3/04/2017

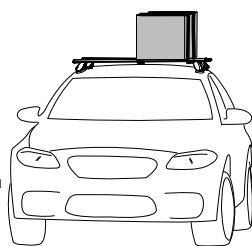
These instructions remain the property of Rhino-Rack Australia Pty. Ltd. and may not be used or changed for any other purpose than intended.



RTS551 Range Rover Sport

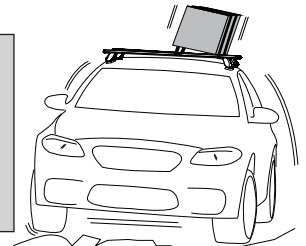


When these roof racks are to be used on a vehicle that is driven off sealed roads, the manufacturer maximum roof load rating (to be found in the vehicles User Manual) should be **divided by 1.5**. Do not forget to subtract the complete crossbar system weight from your maximum carrying capacity.



2 bars up to 100kg (220lbs) load rating (Urban road) = **2 bars 66kg (145lbs) load rating (Off road)**

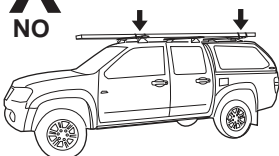
Load rating not taking into account crossbar weight - 5kg



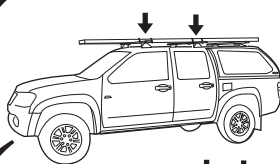
WARNING! Important Load Carrying Instructions

With utility vehicles, the cabin and the canopy move independently. Roof racks and vehicle can be damaged if the item transported is rigidly fixed at points on both the cabin and canopy. Instead, rigidly fix to either the cabin roof racks or the canopy roof racks.

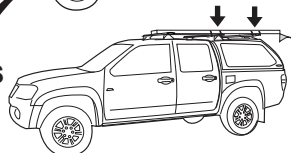
X
NO



✓
YES

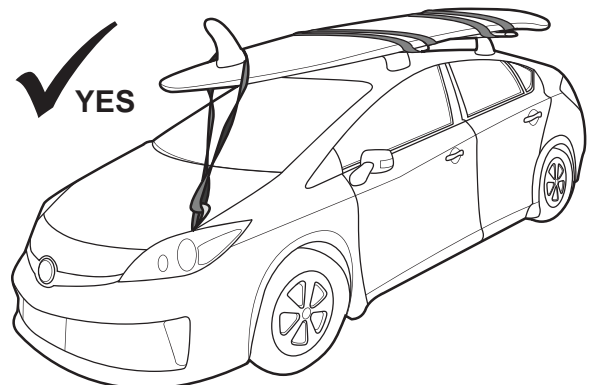


✓
YES



Paddle/ Surfboards should be fixed to the front of the vehicle.

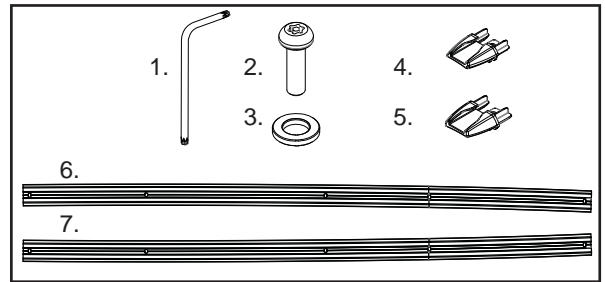
✓
YES





RTS551 Range Rover Sport

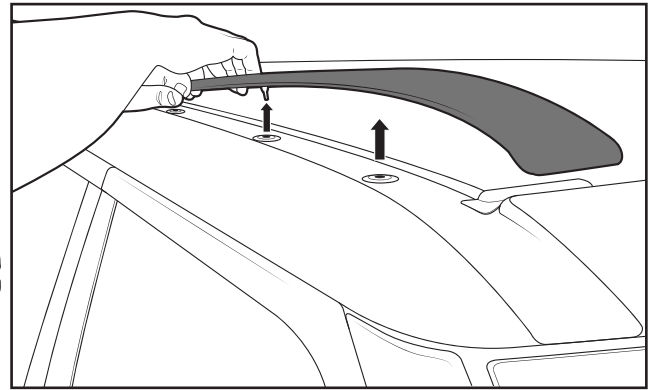
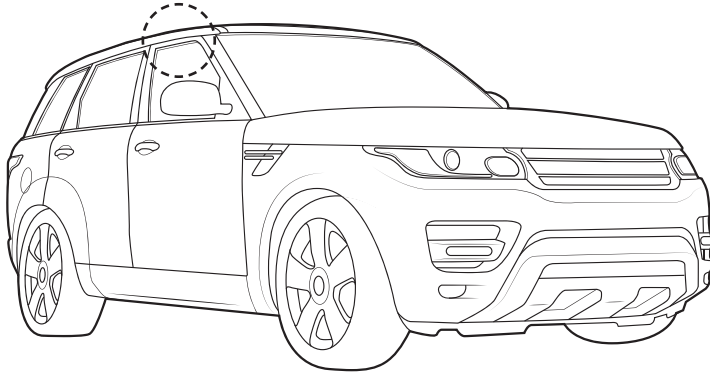
Item	Components	Qty	Part No.
1	T27 Torx Key	1	H054
2	M6 x 20mm Torx Security Screw	10	B243
3	M6 x 12.5mm Flat Washer	10	W003
4	Track End Cap FL/RR	2	M882
5	Track End Cap FR/RL	2	M883
6	Range Rover Sport LH Track	1	A705
7	Range Rover Sport RH Track	1	
8	Instructions	1	R1219



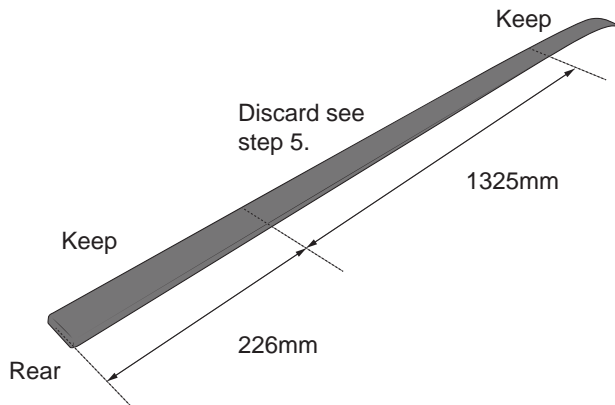
Tools Required: 1 - Hack Saw. 2 - Marker. 3 - Torx key (provided).

Instructions

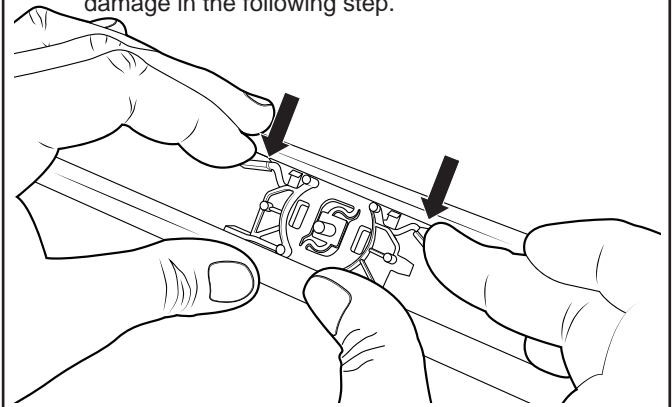
- 1** Remove the ditch mould from the roof of the vehicle. Starting at the front of the vehicle, carefully pull the mould upward, releasing the studs in the ditch.



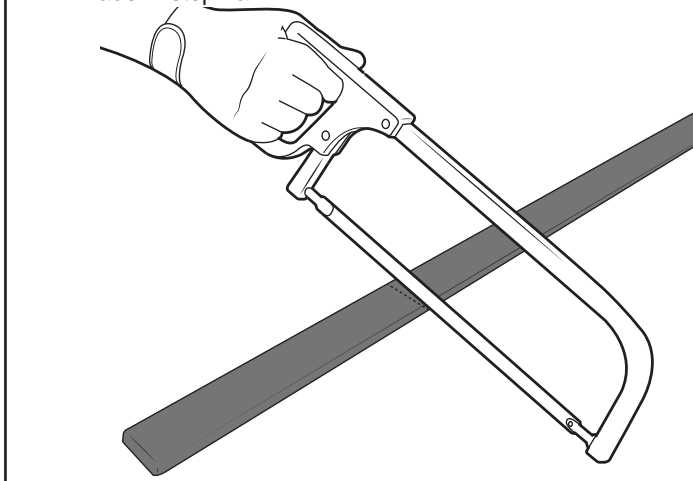
- 2a** Measure 226mm from the rear of the ditch mould and create a reference. From this point measure a further 1325mm forward and create a second reference.



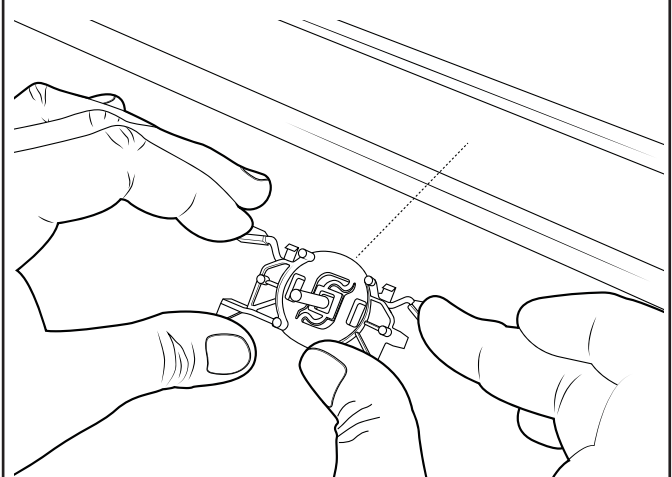
- 2b** Turn the mould over. Depress the tabs on each of the clips as shown below. This will allow you to remove them from the mould. This will protect them from damage in the following step.



- 3** Carefully cut the mould along these reference marks made in step 2a.



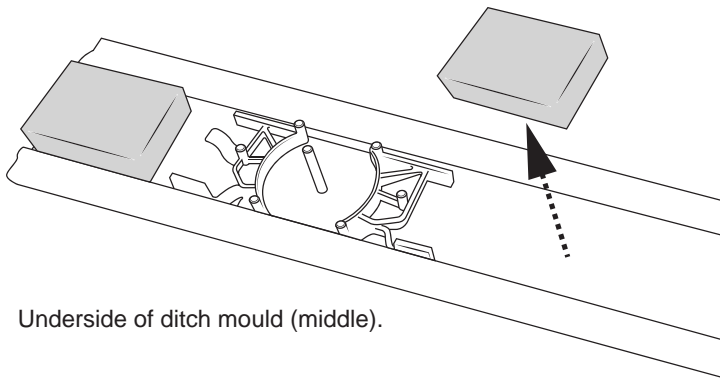
- 4** Replace the clips from the cut front and rear pieces of mould.





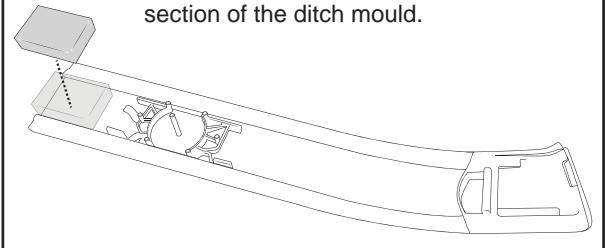
RTS551 Range Rover Sport

- 5** Carefully remove two rubber pads from the middle section of the cut ditch mould. Stick these to the front and rear sections of the cut ditch mould as shown.

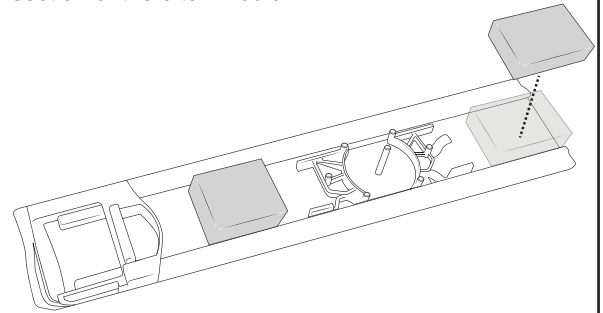


Underside of ditch mould (middle).

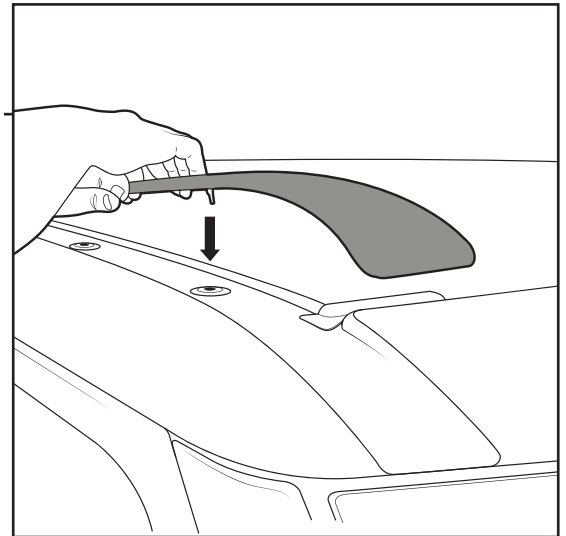
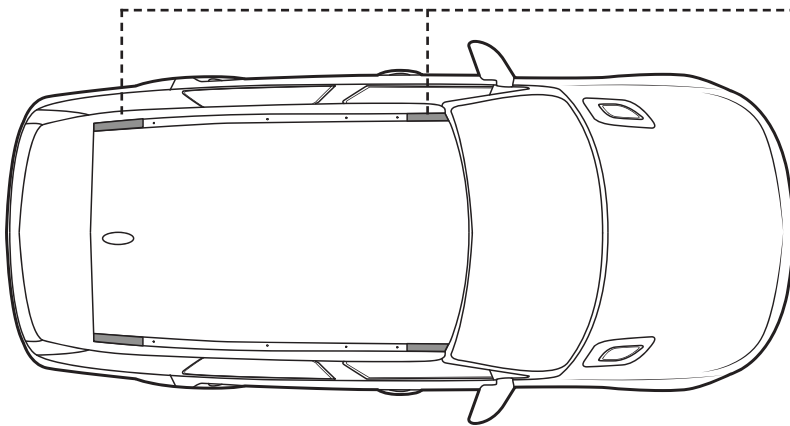
Place a rubber pad at the rear of the **front** section of the ditch mould.



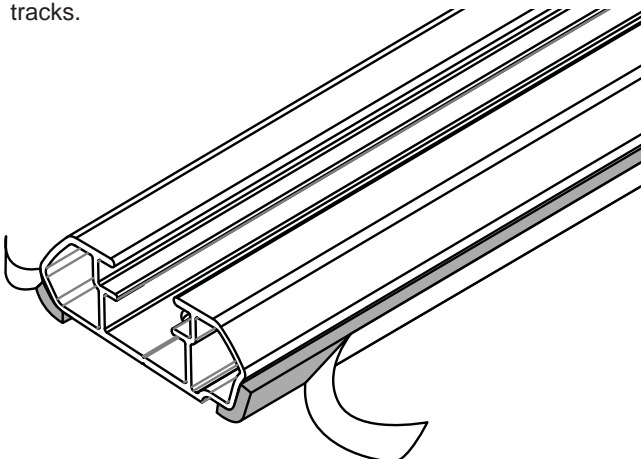
Place a rubber pad at the front of the **rear** section of the ditch mould.



- 6** Replace the front and rear sections of ditch mould, cut out in step 3.

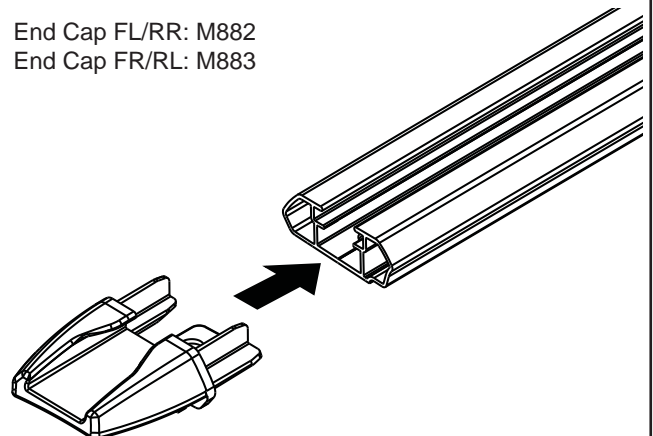


- 7** Remove the backing tape from the foam pads on the tracks.



- 8** Insert the end caps into the tracks.

End Cap FL/RR: M882
End Cap FR/RL: M883





RTS551 Range Rover Sport

9 Place the tracks into place. Use a M6 x 20mm torx screws and M6 flat washers in all holes in the track. Tighten in place with the torx key provided. Install crossbars as per corresponding instructions. Check all fixtures are secure before use.

