

RHINO-RACK®

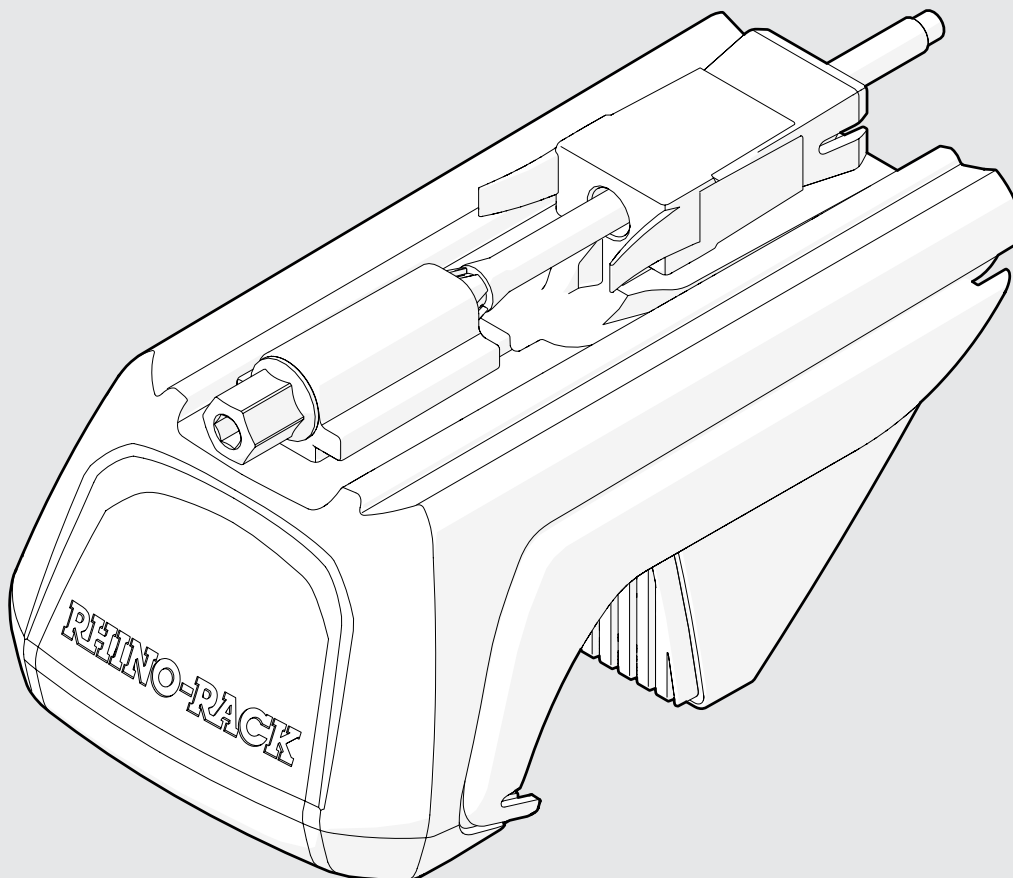
Leg Instructions

RX100

Important:

1. Check the Rhino-Rack website to ensure you have the latest issue of these instructions.
2. Please refer to your fitting instruction to ensure that the roof racks are installed in the correct locations.
3. Check the contents of kit before commencing fitment and report any discrepancies.
4. Place these instructions in the vehicle's glove box after installation is complete.
5. These instructions must be followed for warranty to be upheld.

Fit Time: 15 mins

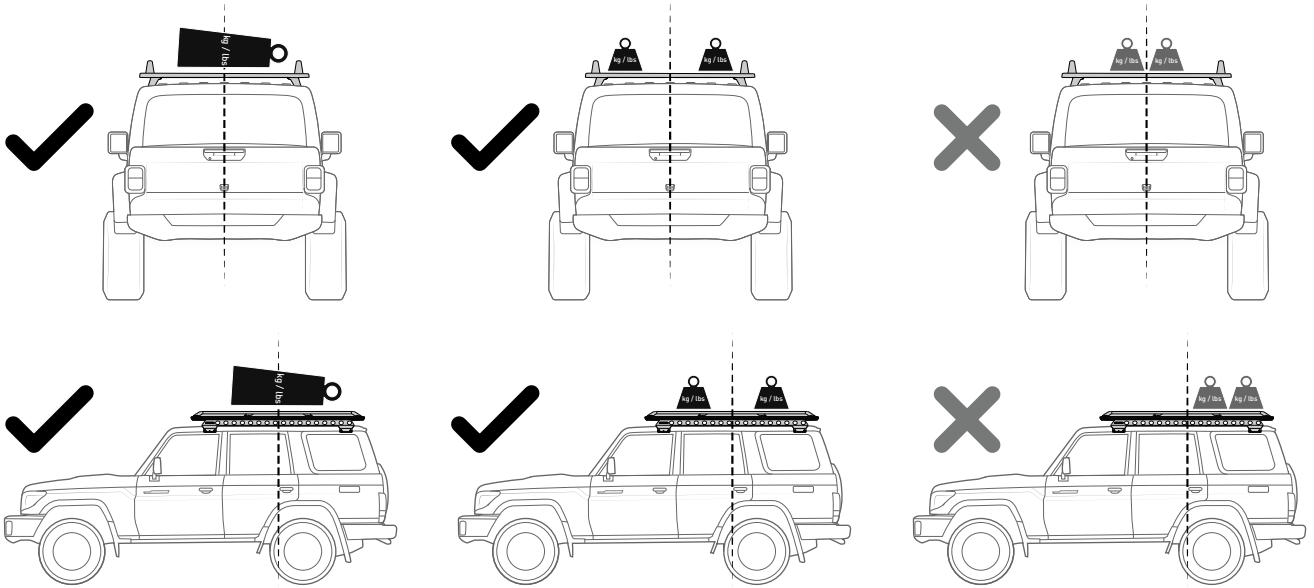


RHINORACK.COM

Rhino-Rack AUSTRALIA
22A Hanson Pl,
Eastern Creek, NSW, 2766

Rhino-Rack USA
Unit D, 2450 Airport Blvd,
Aurora, CO, 80011

Doc. No: 520-RFI-00098
Issue No: 03
Issue Date: 08/02/2023

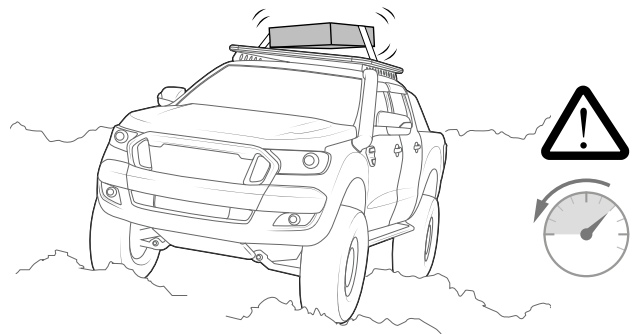
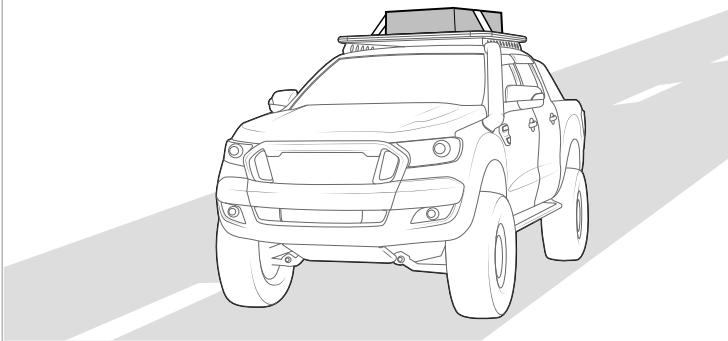


Distribute loads evenly and laterally/longitudinally as low as possible over the span.

Avoid point loads concentrated at the front or rear.

Exercise extreme care when transporting wind-resistant loads. Special consideration must be taken when cornering and braking.

Off-road conditions can be much more rigorous. Extreme care must be taken on any driven path that does not contain a surface protection layer (tar/bitumen).



For additional Pioneer Vehicle Fitting Information refer to your vehicle's online supplement sheet.

RHINO-RACK PIONEER VEHICLE FITTING INFORMATION

VEHICLE	PIONEER	CONNECTOR	HEIGHT ADDED (mm/in)					
			XXX/XX					
VEHICLE NOTES: - Do not operate sunroof								
REGION	AUS	NZ	USA	CA	SA	UK	EU	ZA
AVAILABILITY	✓	✓	x	x	x	x	x	✓
RUNNING DATES	2015 -	2015 -	-	-	-	-	-	2015 -



VISIT THE ONLINE CALCULATOR FOR CURRENT SYSTEM LOAD LIMIT DATA

DYNAMIC LOAD LIMIT (ON AND OFF-ROAD)
 *USE THE VEHICLE MANUFACTURER'S MAXIMUM ROOF ALLOWANCE IF IT IS LOWER THAN THE FIGURE LISTED

UP TO **XXX Kg** / **XXX lbs** + **XX Kg** / **XX lbs** = UP TO **XXX Kg** / **XXX lbs**

OR

UP TO **XXX Kg** / **XXX lbs** *VEHICLE MANUFACTURER'S ROOF LOAD LIMIT

TOTAL STATIC LOAD LIMIT: UP TO

VEHICLE HEIGHT ADDED (mm/in)

DYNAMIC LOAD LIMIT

VEHICLE OWNER'S MANUAL

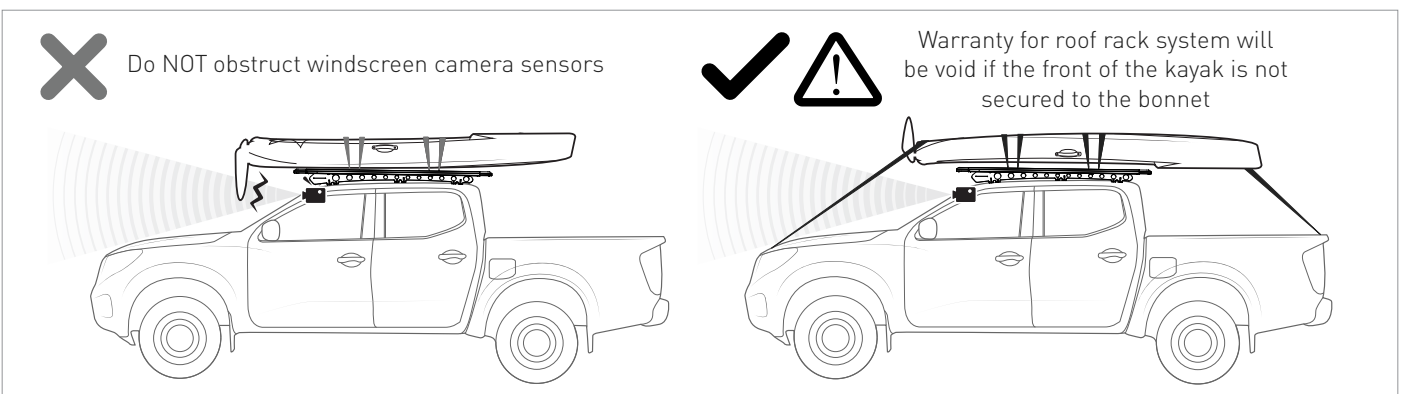
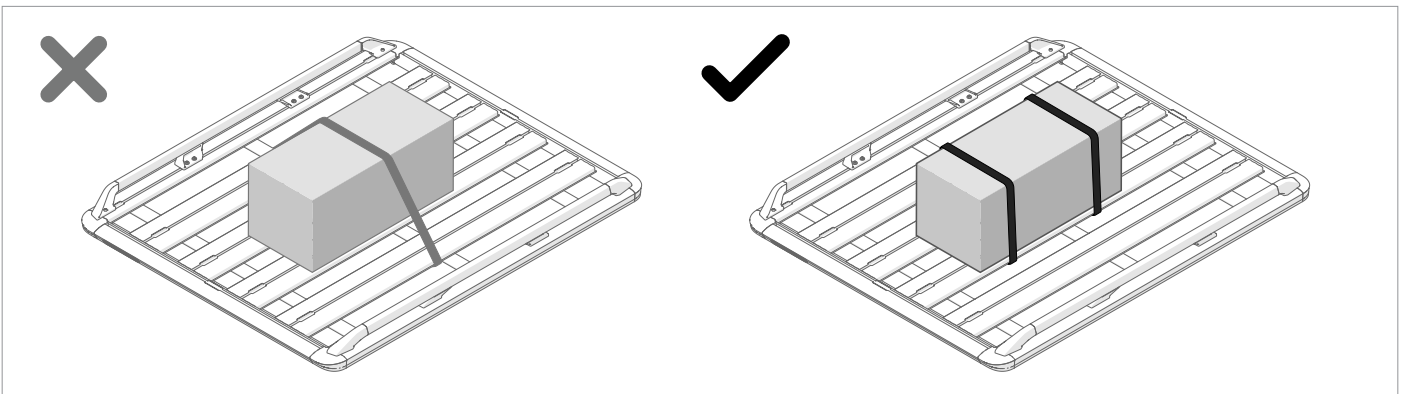
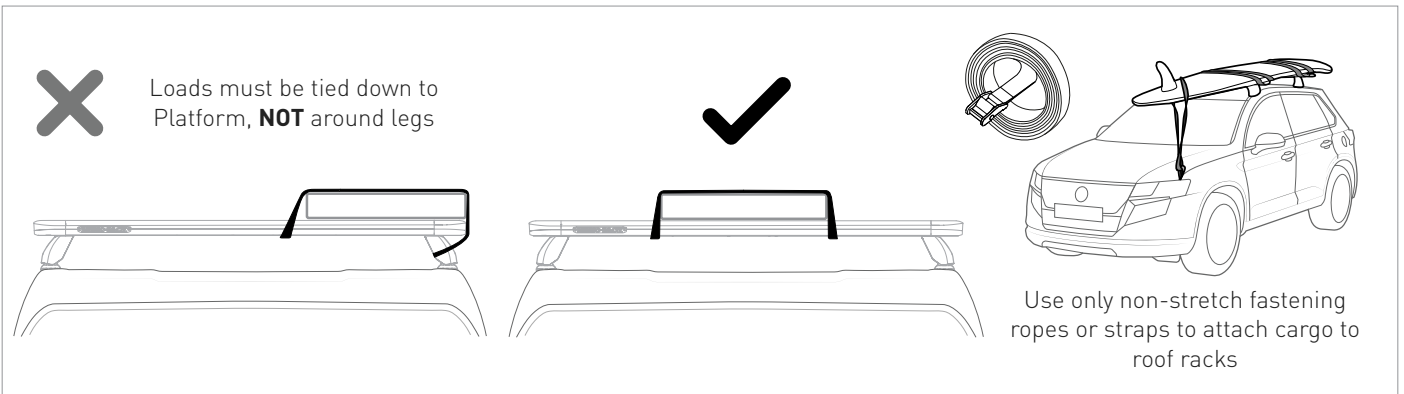
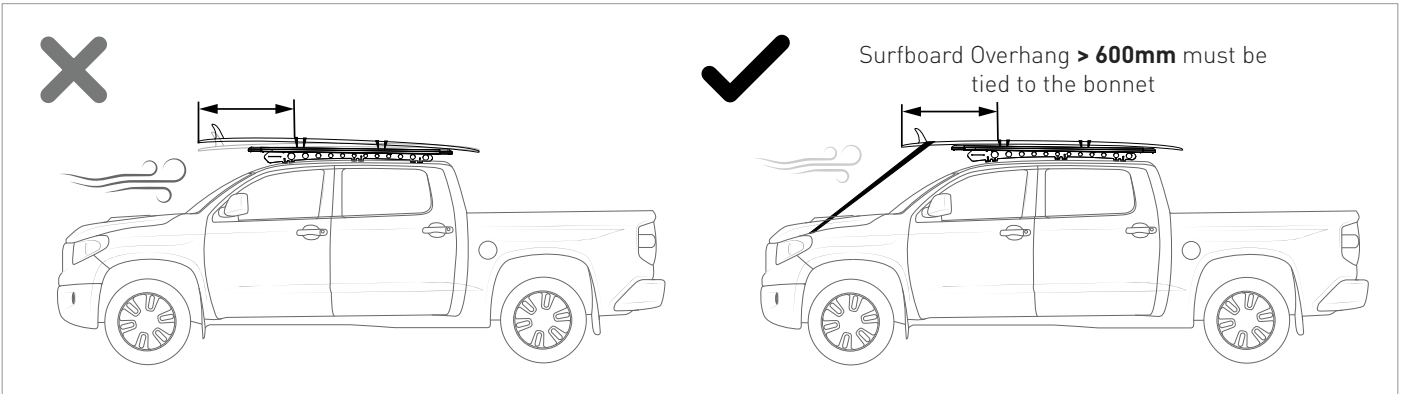
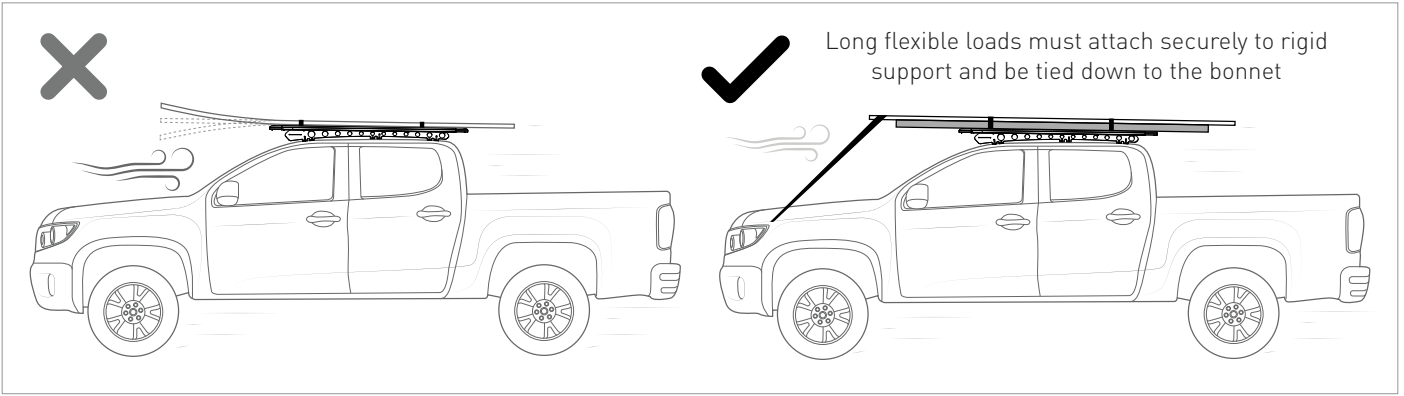
ROOF LOAD LIMIT

? kg

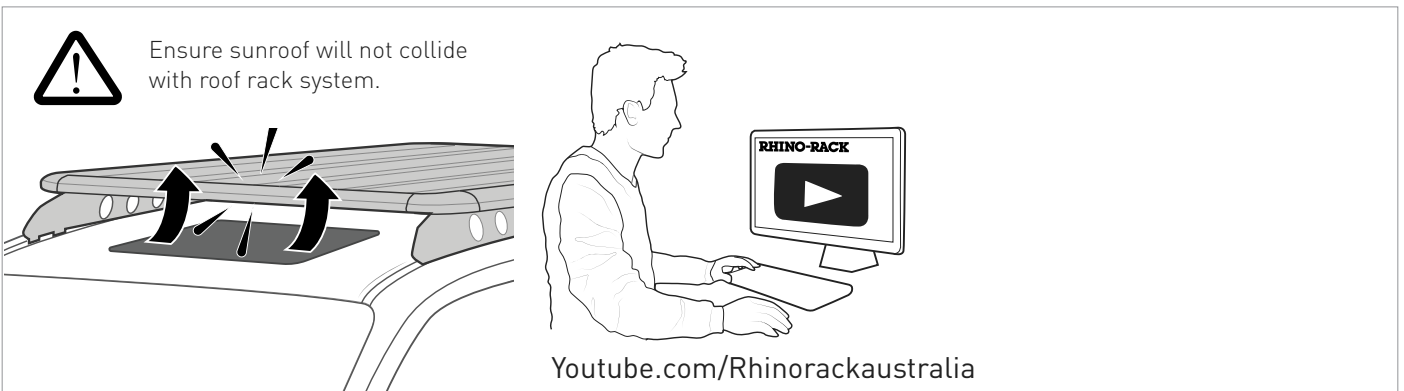
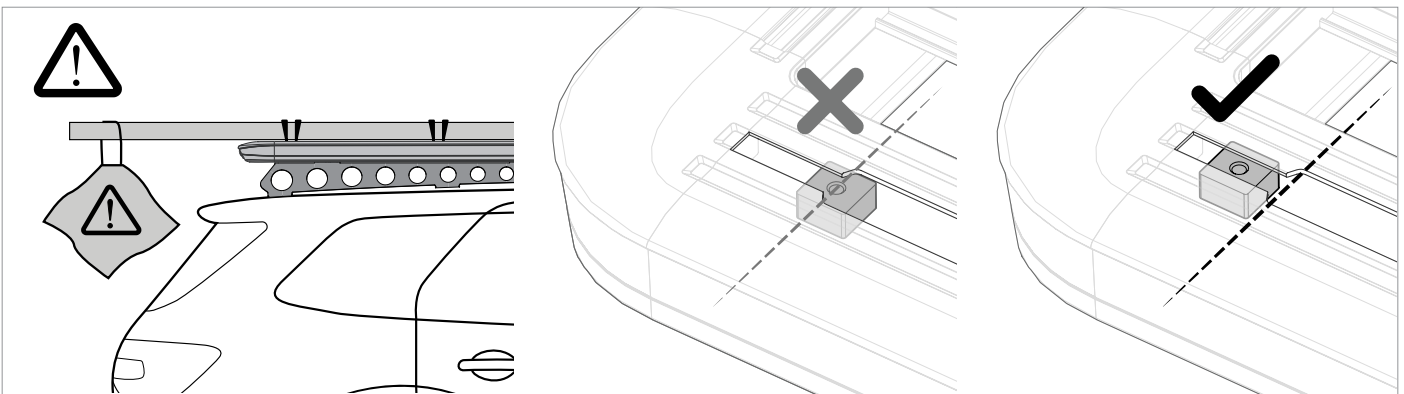
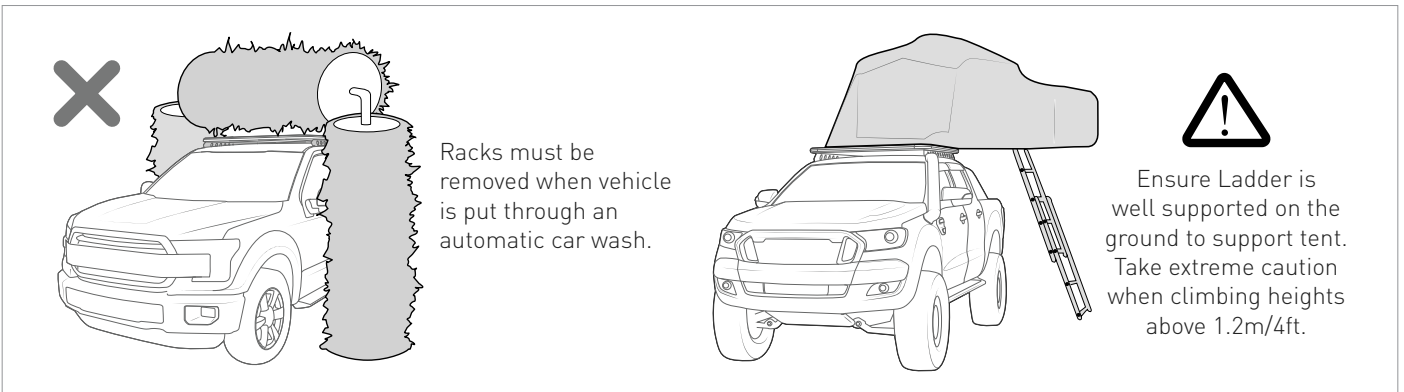
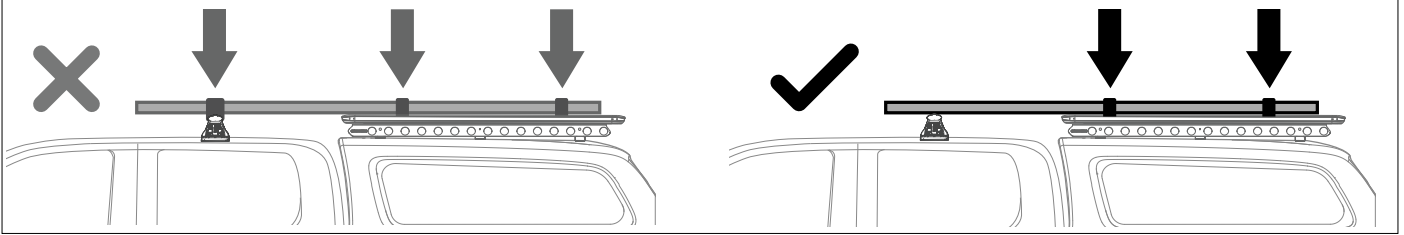
FRONT REAR

UNDERBAR SPACING

BAR NO.	A	B	C	E	F	G
DIMENSION (CM)						
SPACERS REQ'D						
CONNECTOR	BACKBONE		BACKBONE		BACKBONE	



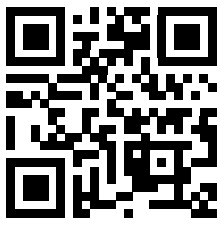
Tub/tray/canopys can move independently from the vehicle cabin. Rigidly fix to either the cabin roof racks **or** the tub/tray/canopy roof racks but not both simultaneously.



[Youtube.com/Rhinorackaustralia](https://www.youtube.com/Rhinorackaustralia)

Carrying Capacity

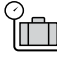
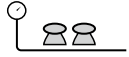


Check the website and the **vehicle owners hand book** for your vehicle manufacturer’s maximum carrying capacity. Load must be evenly distributed over the system.



VISIT THE ONLINE CALCULATOR FOR CURRENT SYSTEM LOAD LIMIT DATA

DYNAMIC LOAD LIMIT (On and Off-road) :

*USE THE VEHICLE MANUFACTURER’S MAXIMUM ROOF ALLOWANCE IF IT IS LOWER THAN THE FIGURE LISTED

 CARGO	 SYSTEM WEIGHT	 LOAD LIMIT	OR	 Max kg
UP TO 95 KG 209 lbs	+ 5 KG 11 lbs	=	UP TO 100 KG 220 lbs	
			*VEHICLE MANUFACTURER’S ROOF LOAD LIMIT	

STATIC LOAD LIMIT: UP TO 250KG / 551LBS*



Cargo Load Limit

Total permissible weight allowed on top, and attached to roof racks whilst the vehicle is in motion.



System Weight

Total weight of the roof rack system. (e.g. Crossbars, Backbone, Platform)



Max System Load Capacity

Please ensure you use the vehicle manufacturer’s maximum roof allowance if it is lower than the figure listed in the fitting chart/supplement.



Vehicle Manufacturer's Load Limit

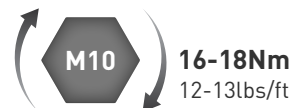
Total permissible weight attached to the roof of the car. This is inclusive of the weight of the roof rack system.

In service maintenance checks

- All bolt connections should be checked after driving a short distance (5-10 mins street roads) when you first install your roof racks.
- All bolted connections should be checked again at regular intervals (weekly is recommended, depending on road conditions, usage, loads and distances travelled).
- All bolted connections should be checked each time they are re-fitted.
- Off-road conditions are more rigorous. Check all bolted connections and your load more regularly.
- Ensure that your vehicle manufacturer’s GVM, and gross axle weights are not exceeded (refer to vehicle owner’s manual).

Torque Settings:

Unless stated otherwise in these instructions, all fasteners should be set to the following torque settings:

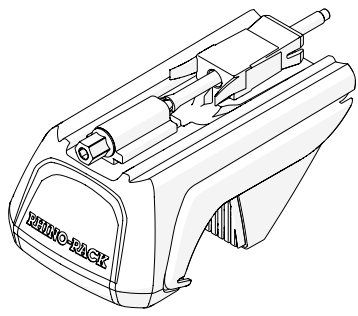


Note for Dealers and Fitters

It is your responsibility to ensure these fitting instructions are given to the end user or client. These instructions remain the property of Rhino-Rack Australia Pty. Ltd. and may not be used or changed for any other purpose than intended.

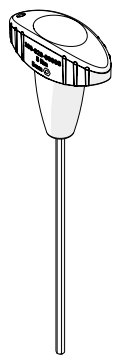
Parts List

Leg Assembly



A x4

Torque Tool

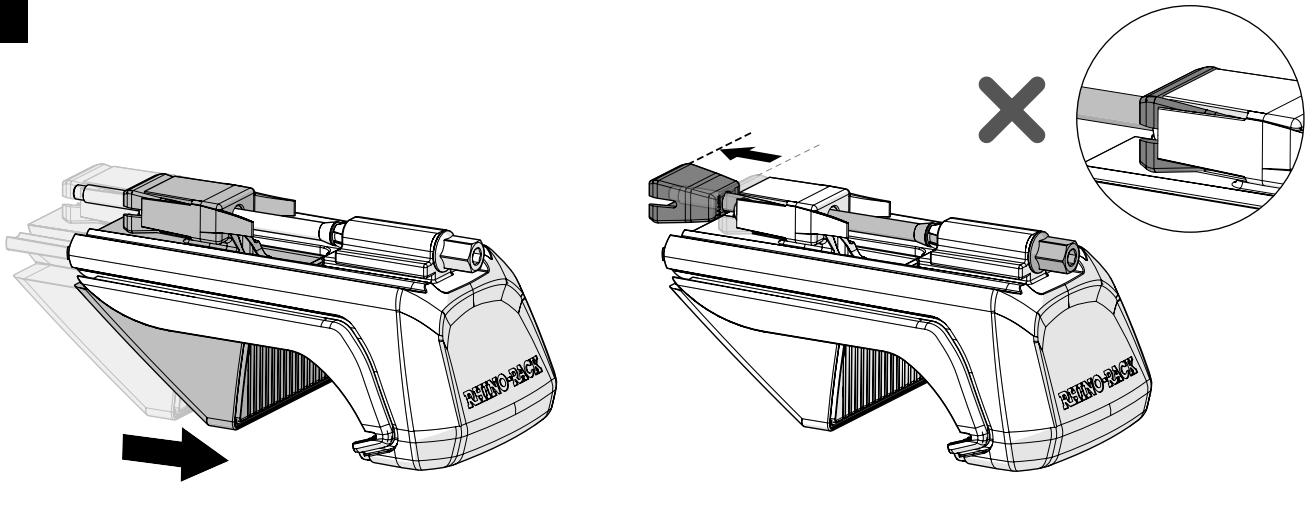


B x1

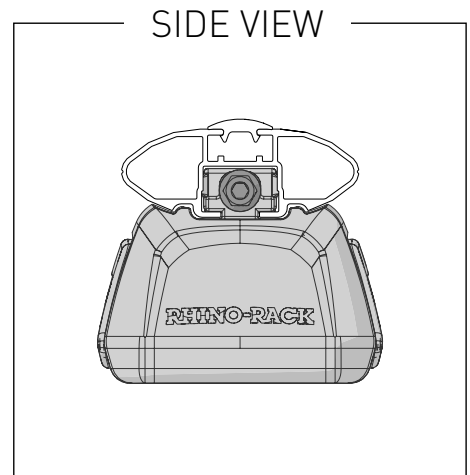
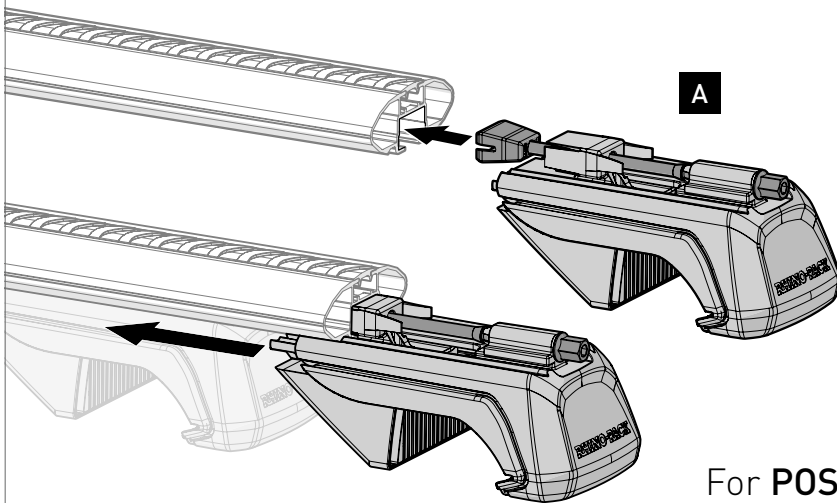
TOOLS REQUIRED:

- T1 - Tape Measure
- T2 - Marker / Pencil
- T3 - Knife or Scissors

1



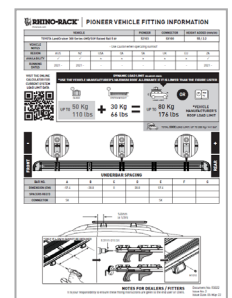
2 VA BARS:



For POST 2022 MODELS Skip to Step 13

PLATFORMS:

Proceed to Pioneer Platform Instructions and your vehicle-specific Pioneer Fit Chart sheet before installing legs into the Platform.

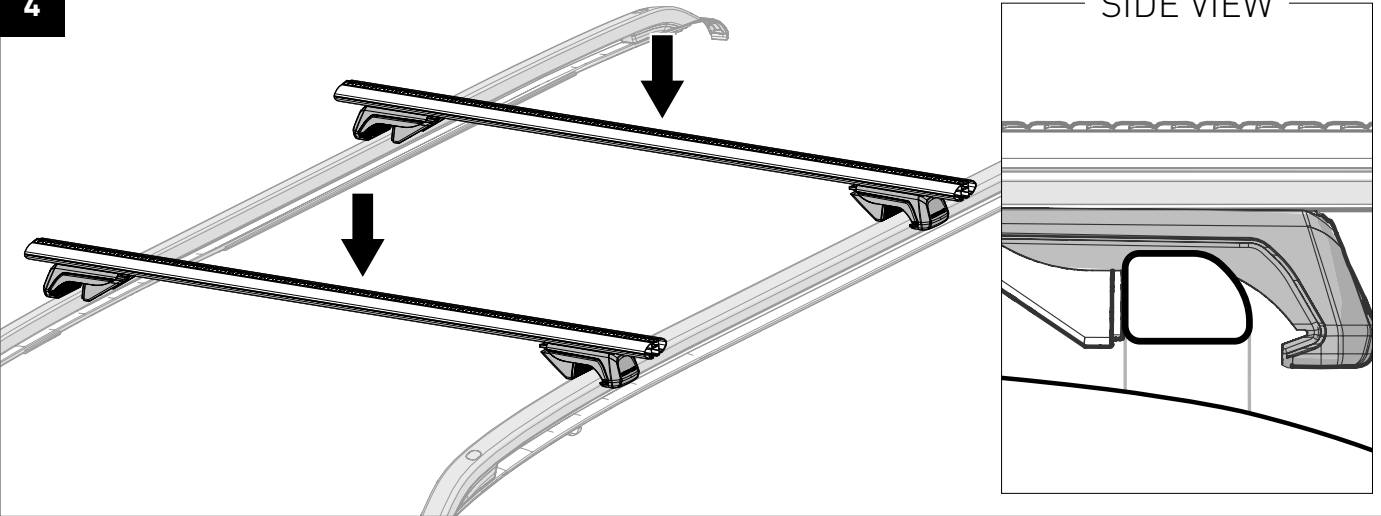


Skip to Step 16 after installing RX100 into underbars.

3



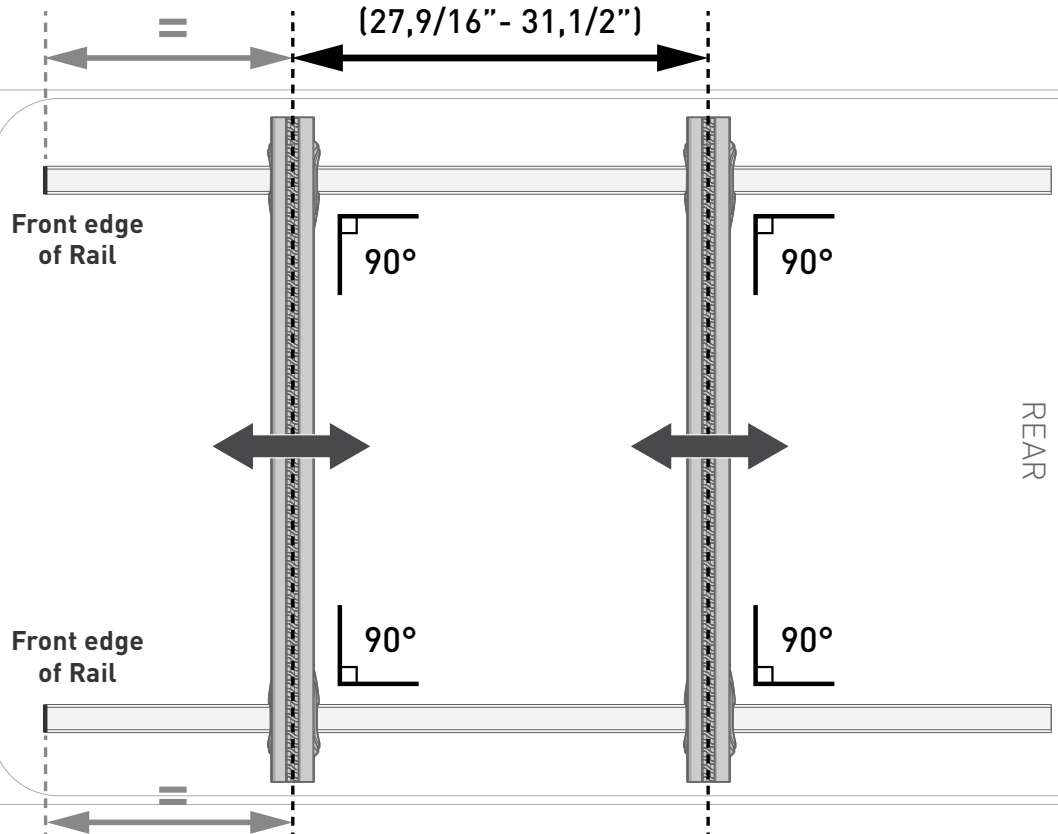
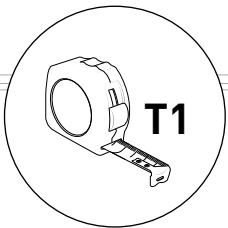
4



5

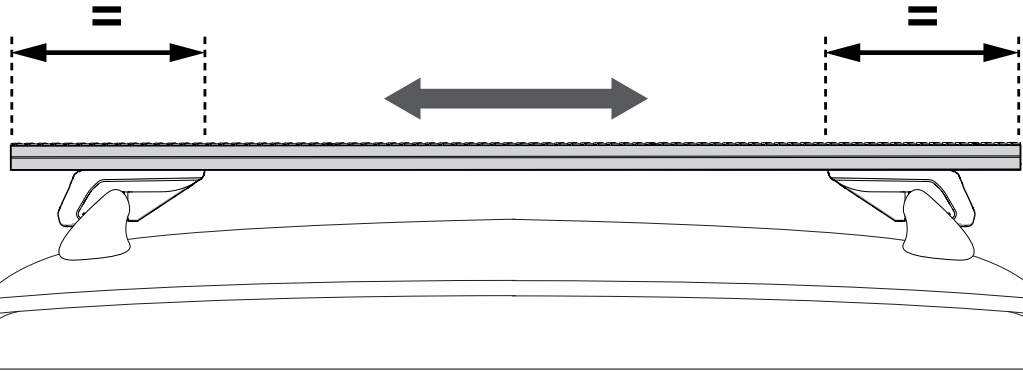
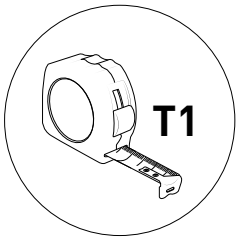
TOP VIEW:

700 - 800mm
(27,9/16" - 31,1/2")

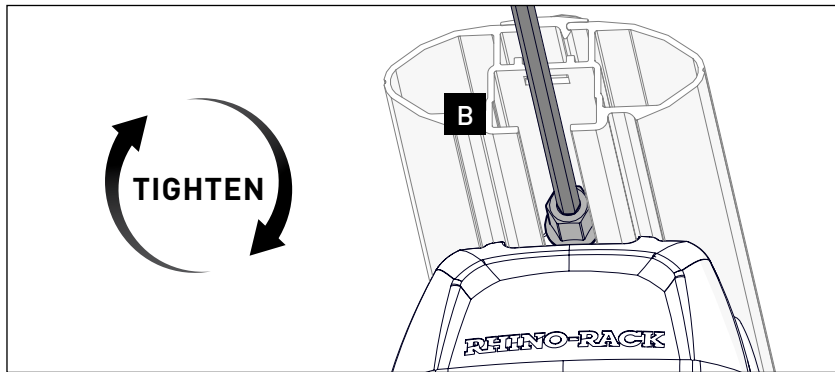


6

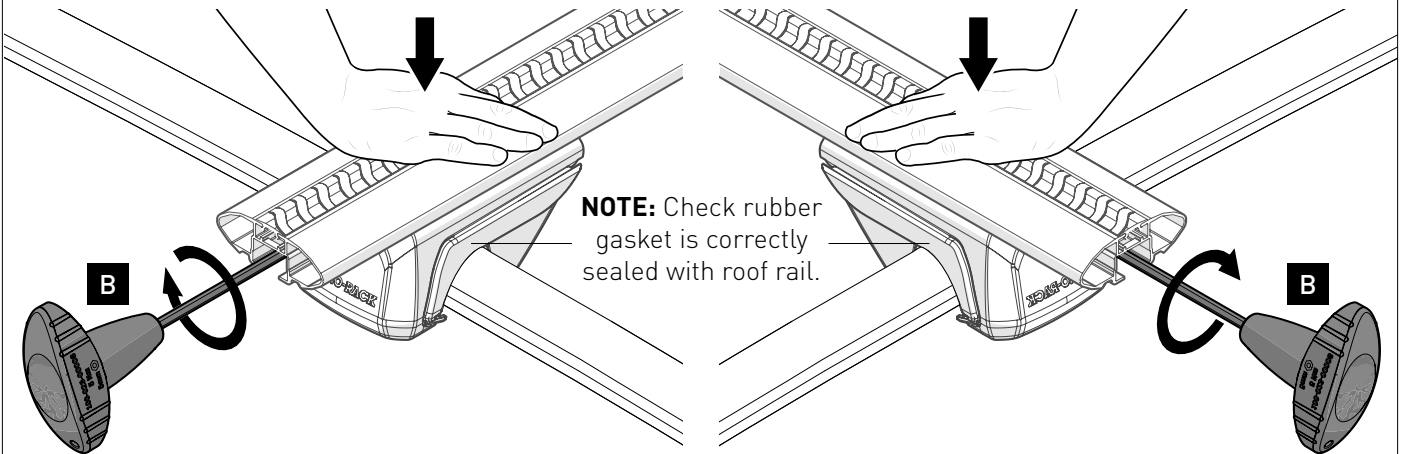
FRONT VIEW



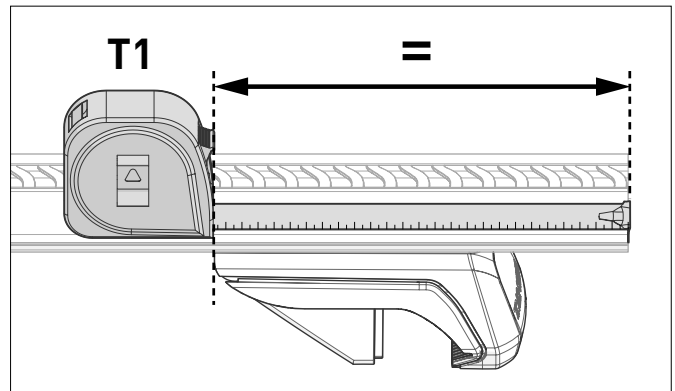
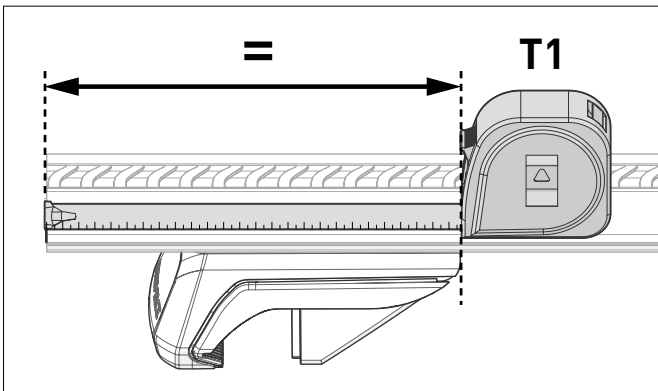
7

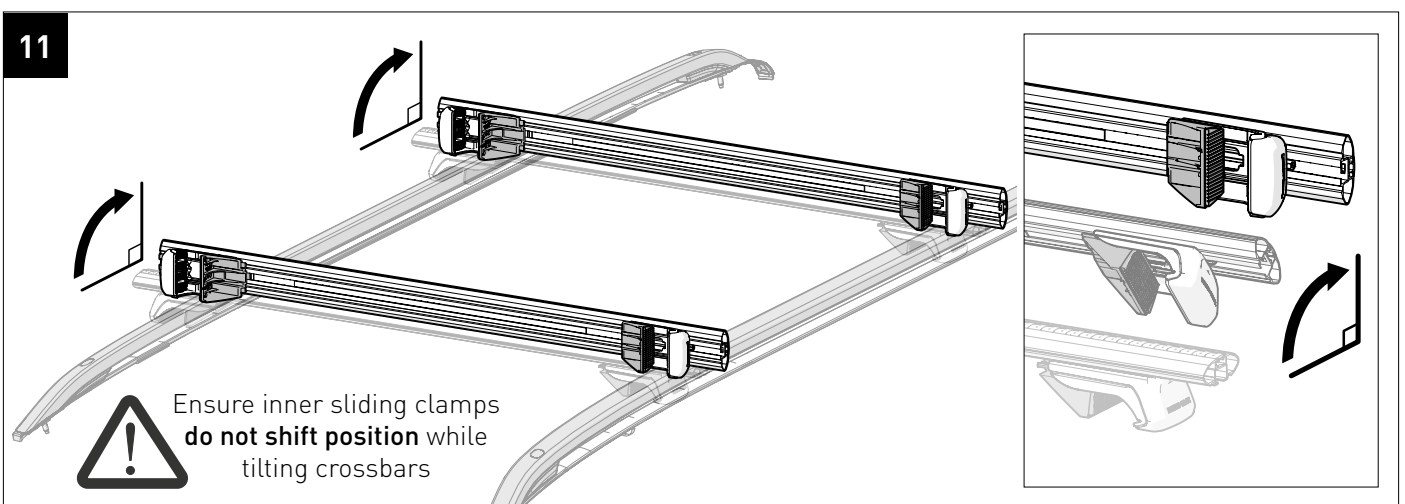
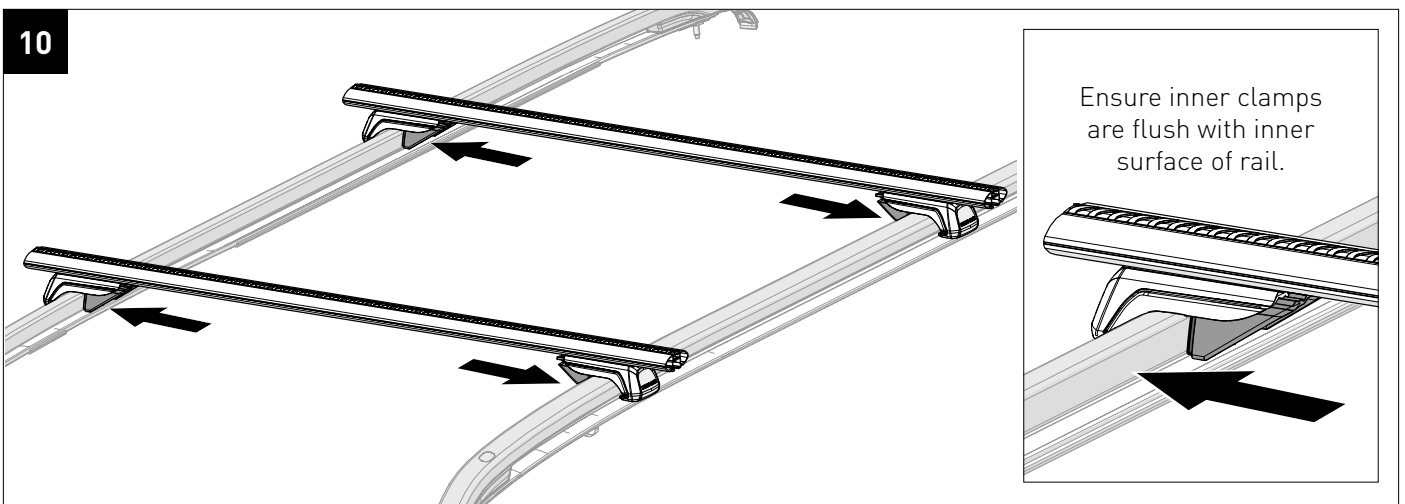
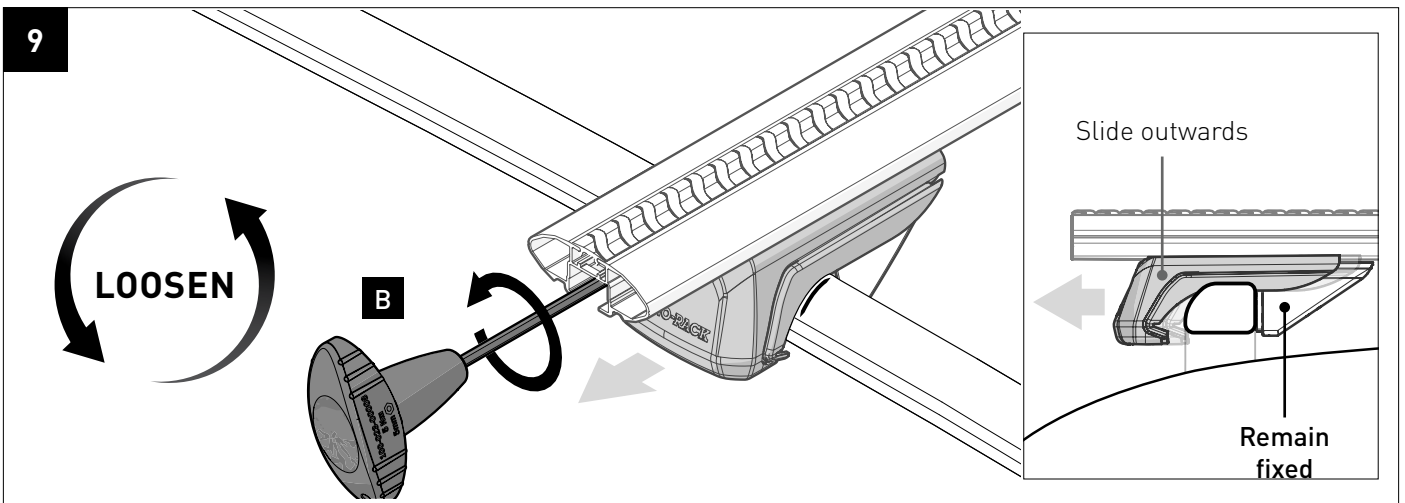
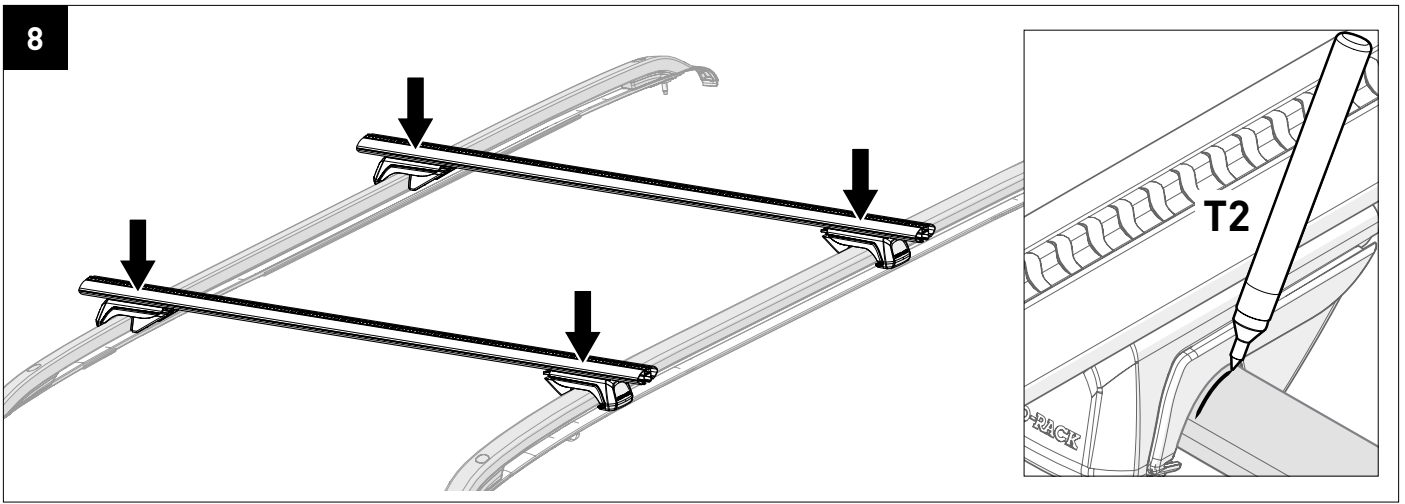


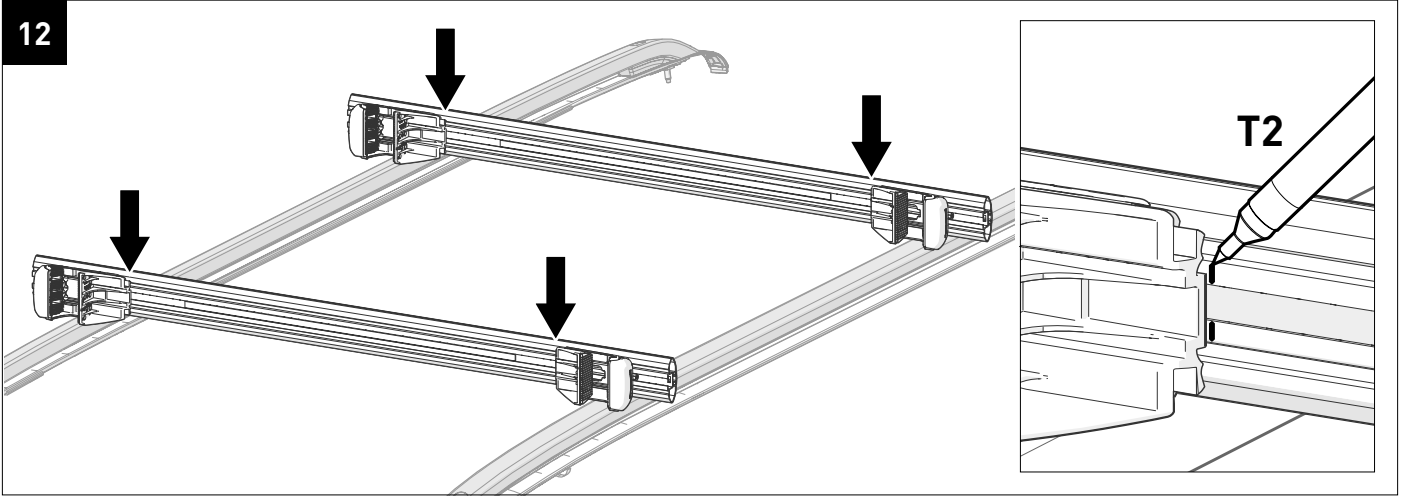
Incrementally tighten each leg so that crossbars are firmly set in position.



While incrementally tightening legs, check bar/platform overhang is still equidistant



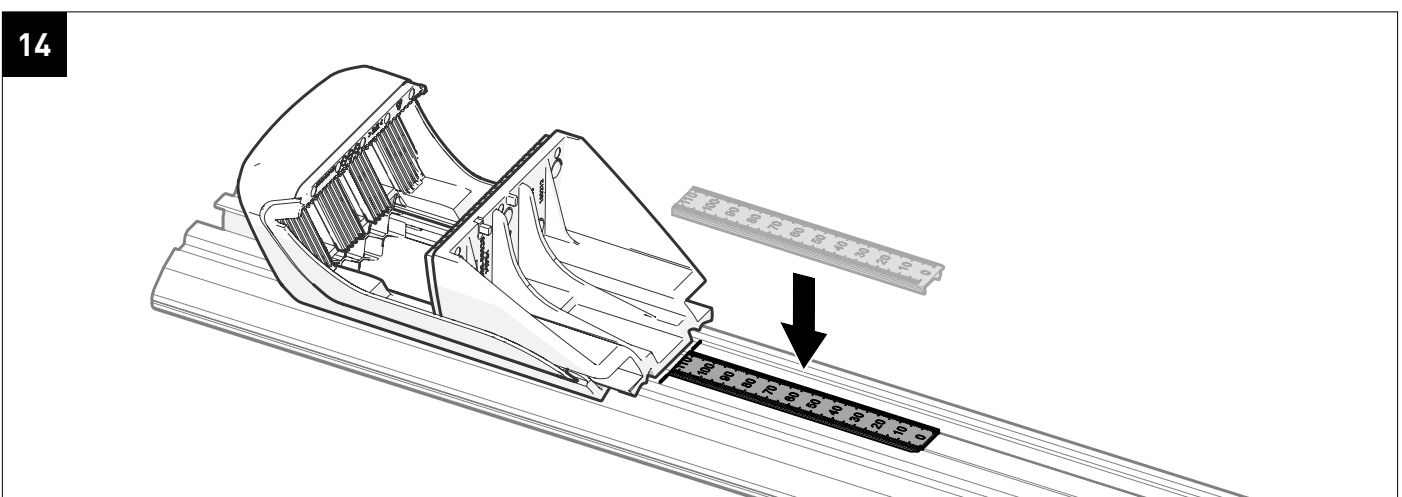
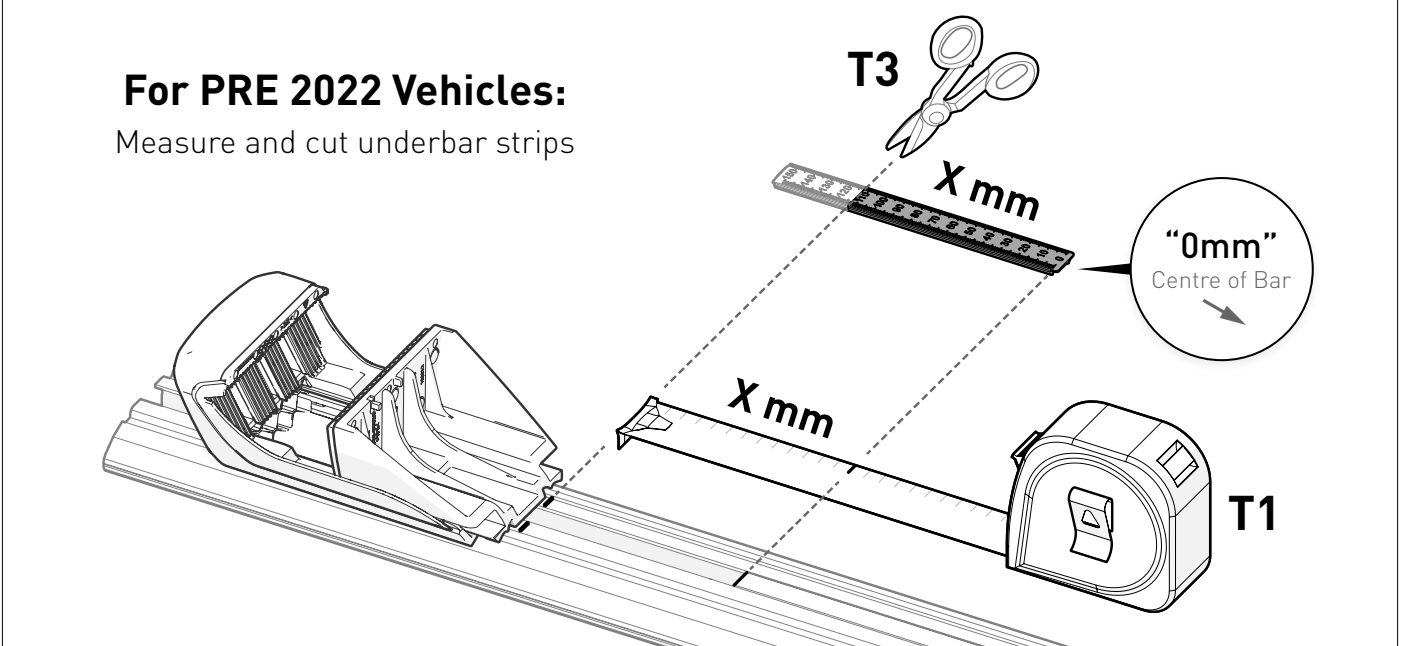




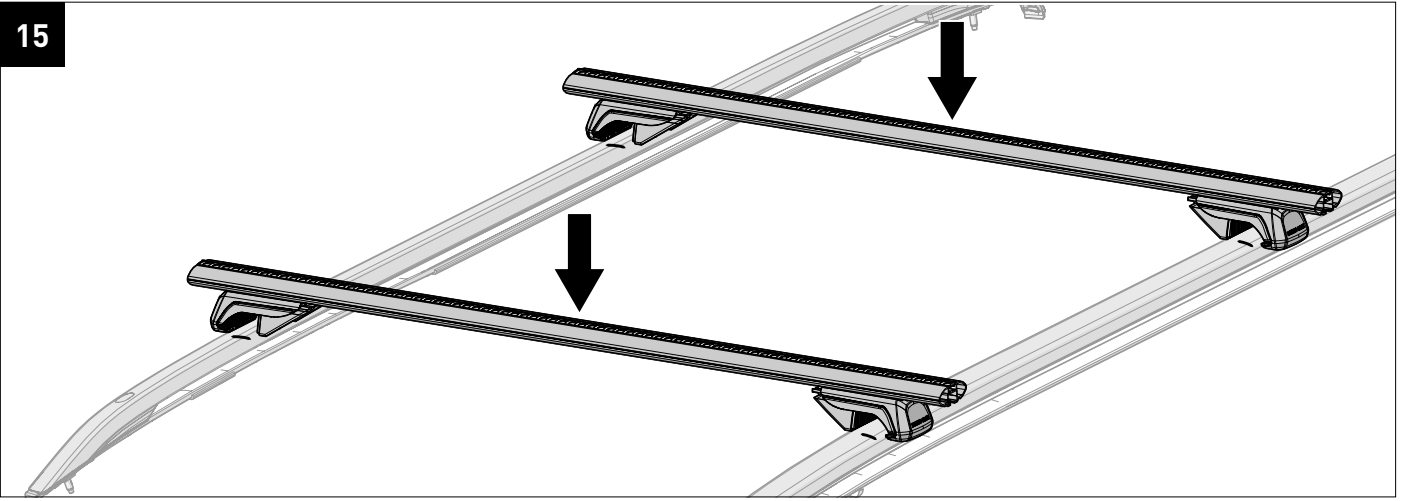
13

For POST 2022 Vehicles:
 Refer to Fit Sheet for underbar strip dimensions and cut to size

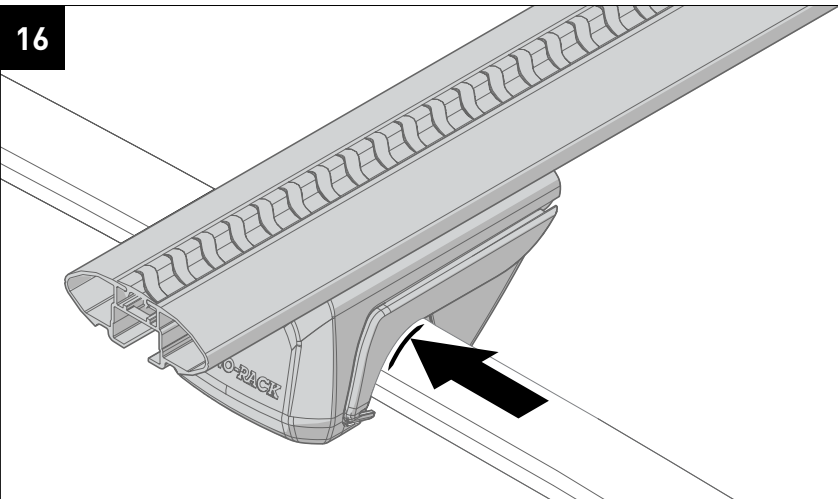
rhinorack.com/roof



15



16



For POST 2022 Vehicles:

Refer to vehicle-specific Crossbar Supplement/Pioneer Fit Chart for rail positioning

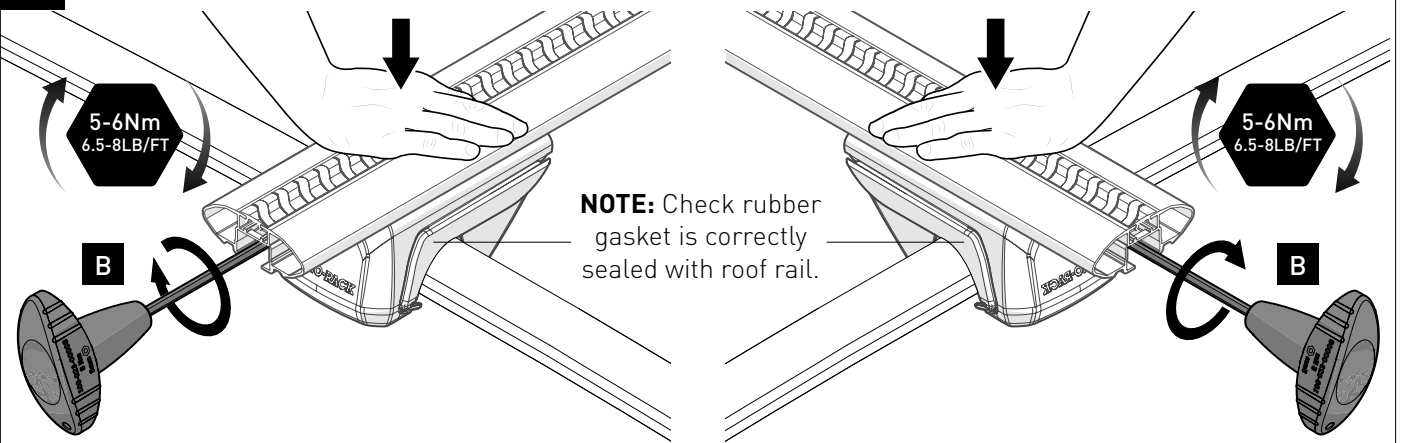
For Pre 2022 Vehicles:

Crossbars: Realign to Step 8 markings OR

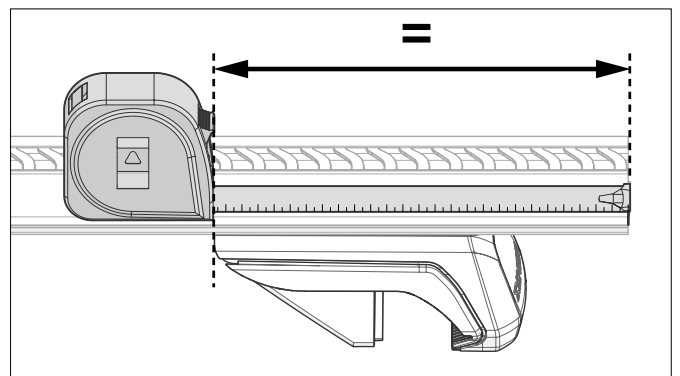
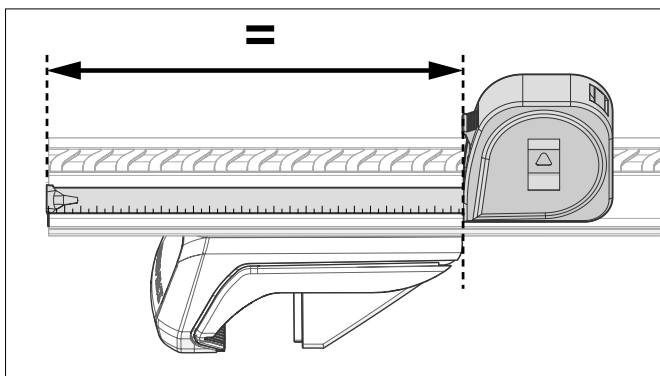
Platforms: Refer to your vehicle-specific Pioneer Fit Chart for rail positioning

17

Incrementally tighten each leg so that crossbars/platforms are firmly set in position.



While incrementally tightening legs, check bar overhang is still equidistant



For Pioneer Platforms, proceed to step **20**

