



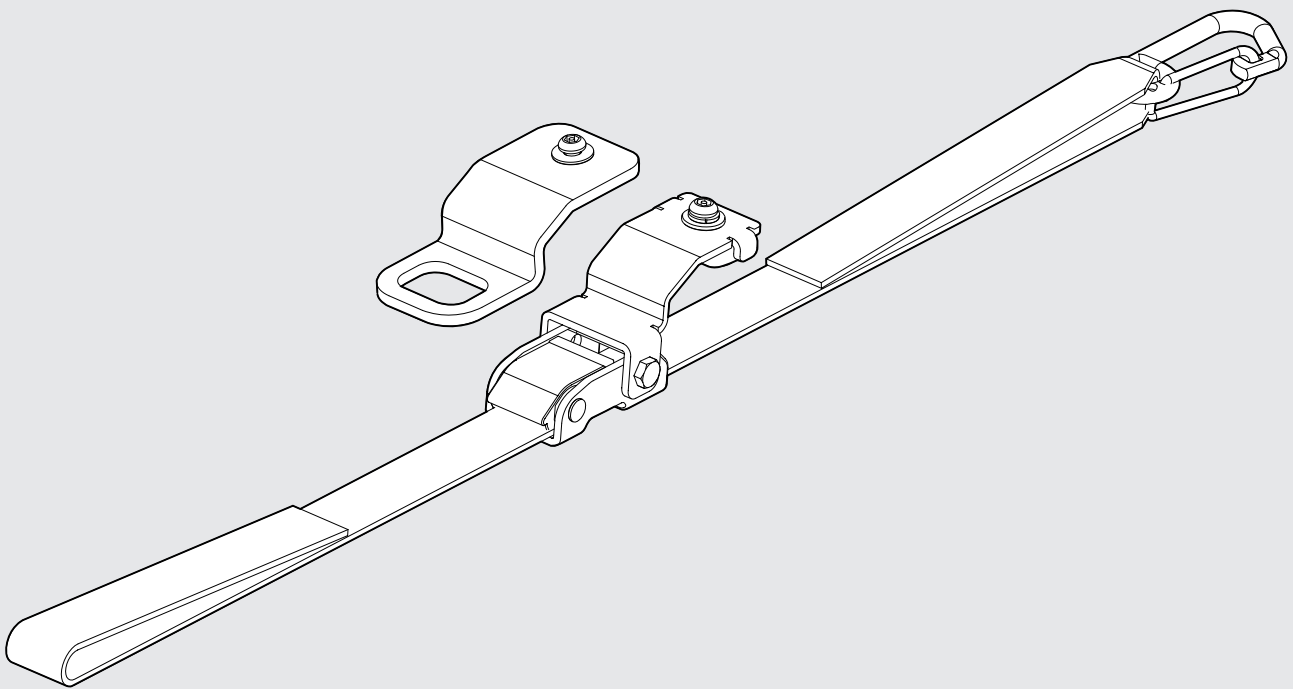
# RHINO-RACK®

## Vortex Ladder Strap SLS5

**Important:**

1. Check the Rhino-Rack website to ensure you have the latest issue of these instructions.
2. Please refer to your fitting instruction to ensure that the accessory is installed in the correctly.
3. Check the contents of kit before commencing fitment and report any discrepancies.
4. Place these instructions in the vehicle's glove box after installation is complete.
5. These instructions must be followed for warranty to be upheld.

**Fit Time:** 10 min



**Rhino-Rack AUSTRALIA**  
22A Hanson Pl,  
Eastern Creek, NSW, 2766  
(02) 8846 1900  
rhinorack.com.au

**Rhino-Rack USA**  
Unit D, 2450 Airport Blvd,  
Aurora, CO, 80011  
877-744-6622  
rhinorack.com

**Rhino-Rack CANADA**  
19100 Airport Way  
Pitt Meadows, BC V3Y OE2  
rhinorack.ca

Document No: RS-99  
Issue No: 03  
Issue Date: 21/06/2021

## SLS5 Instructions

### Carrying Capacity

Refer to vehicle manufacturer's carrying load rating for roof bars.  
Ensure that all loads are evenly distributed and that the centre of gravity is kept as low as possible.

### Warning

- Do not attempt to fit the accessory to your vehicle unless you fully understand these fitting instructions. Please direct any questions regarding fitting to the dealer from where the product was purchased.
- Off-road conditions can be much more rigorous. Extreme care must be taken in off road conditions.
- Accessory must be removed when vehicle is put through an automatic car wash.
- Always ensure you fasten your load securely.

### In service maintenance checks

- All bolted connections should be checked after driving a short distance when you first install your roof racks & accessories.
- All bolted connections should be checked again at regular intervals (every 1000k/621mi) is recommended, depending on road conditions, usage, loads and distances travelled). All bolted connections should be checked each time they are re-fitted.

### Torque Settings

Unless stated otherwise in these instructions, all fasteners should be set to the following torque settings:

M6: 4-5Nm (3-4lbs/ft), M8: 8-10Nm (6-7.5lbs/ft) M10: 16-18Nm (12-13lbs/ft).

### Sensitivity to Crosswinds, Behaviour in Curves and Braking.

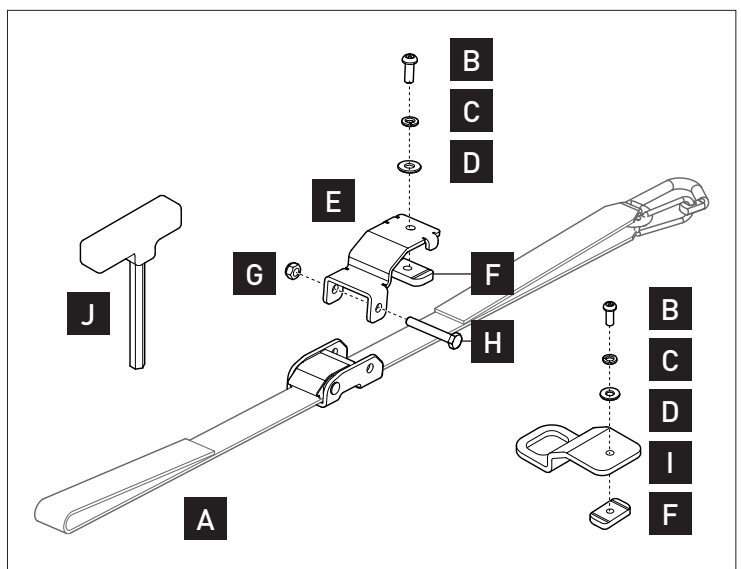
Remember that the handling characteristics of your vehicle will change when transporting a load on the roof.  
Exercise extreme care when transporting wind-resisting loads; special consideration must be taken into account when braking.

### Note for Dealers and Fitters

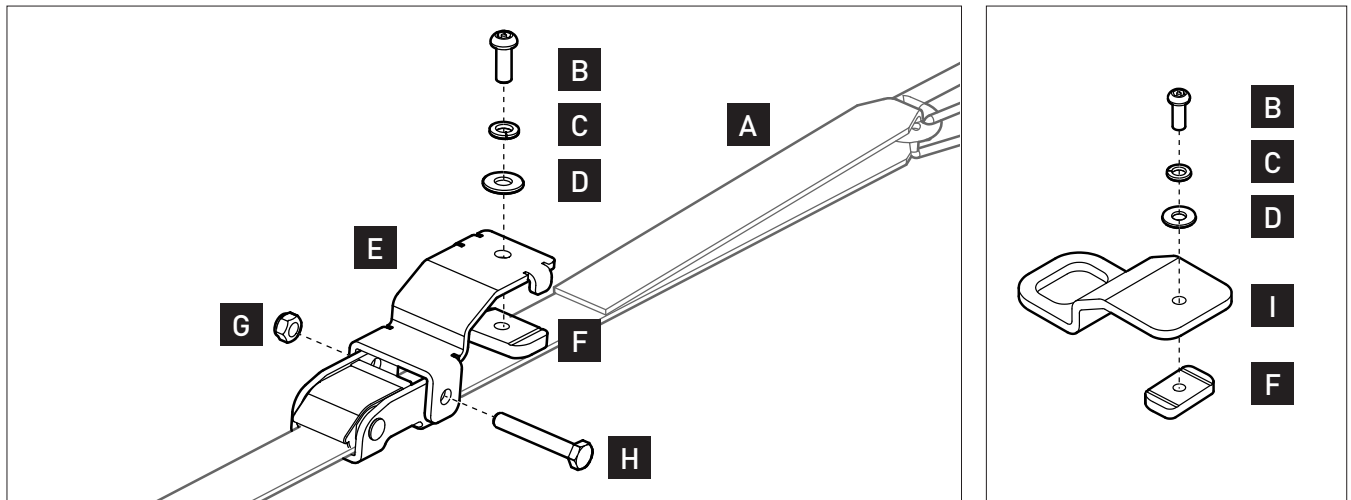
It is your responsibility to ensure these fitting instructions are given to the end user or client. These instructions remain the property of Rhino-Rack Australia Pty. Ltd. and may not be used or changed for any other purpose than intended.

### Parts List - SLS5 Strap

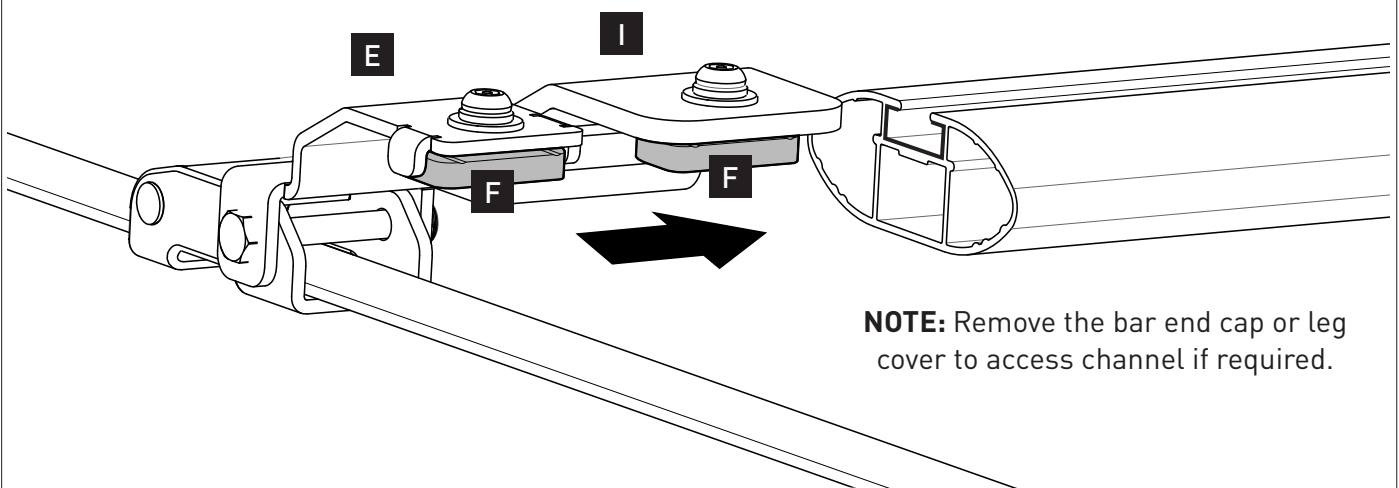
Item	Component Name	Qty
A	Camlock, 0.5m Strap & Snap Hook	1
B	M6 x 16mm Security Screw	2
C	M6 Spring Washer	2
D	M6 Flat Washer	2
E	Sportz Cam Lock Bracket	1
F	M6 Channel Nut	2
G	M6 Nyloc Nut	1
H	M6 x 50 Hex Bolt	1
I	Sportz Snap Hook Bracket	1
J	Allen Key	1
K	Fitting Instruction	1



**1** Assemble.

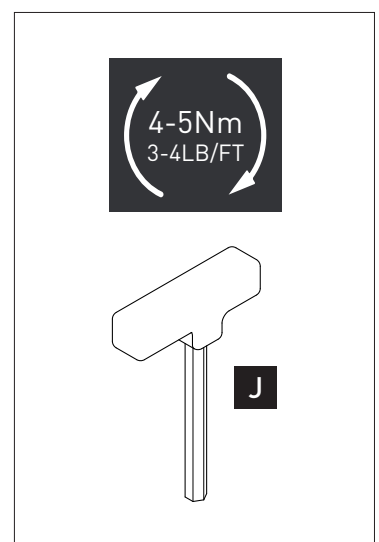
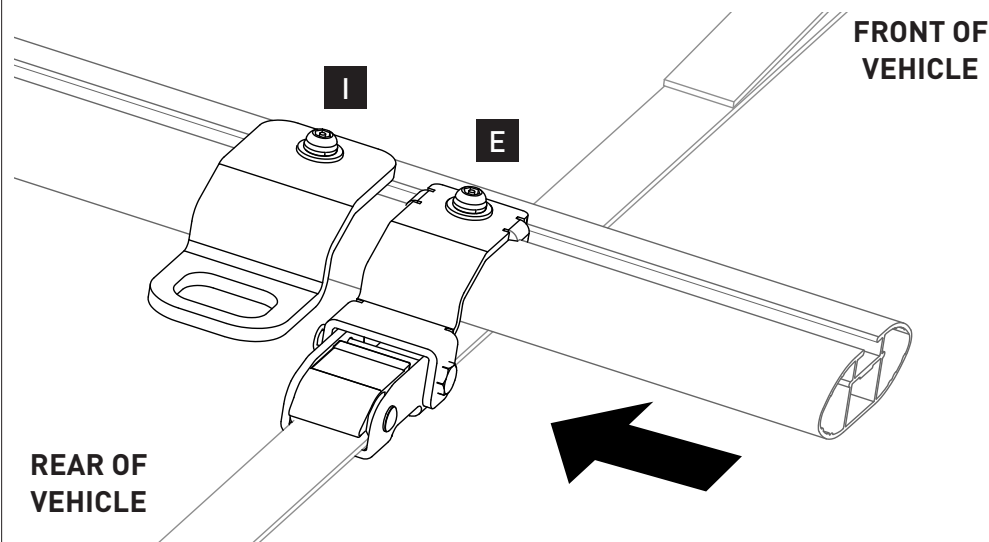


**2** Slide snap hook bracket and strap bracket channel nuts into the end of the crossbar.

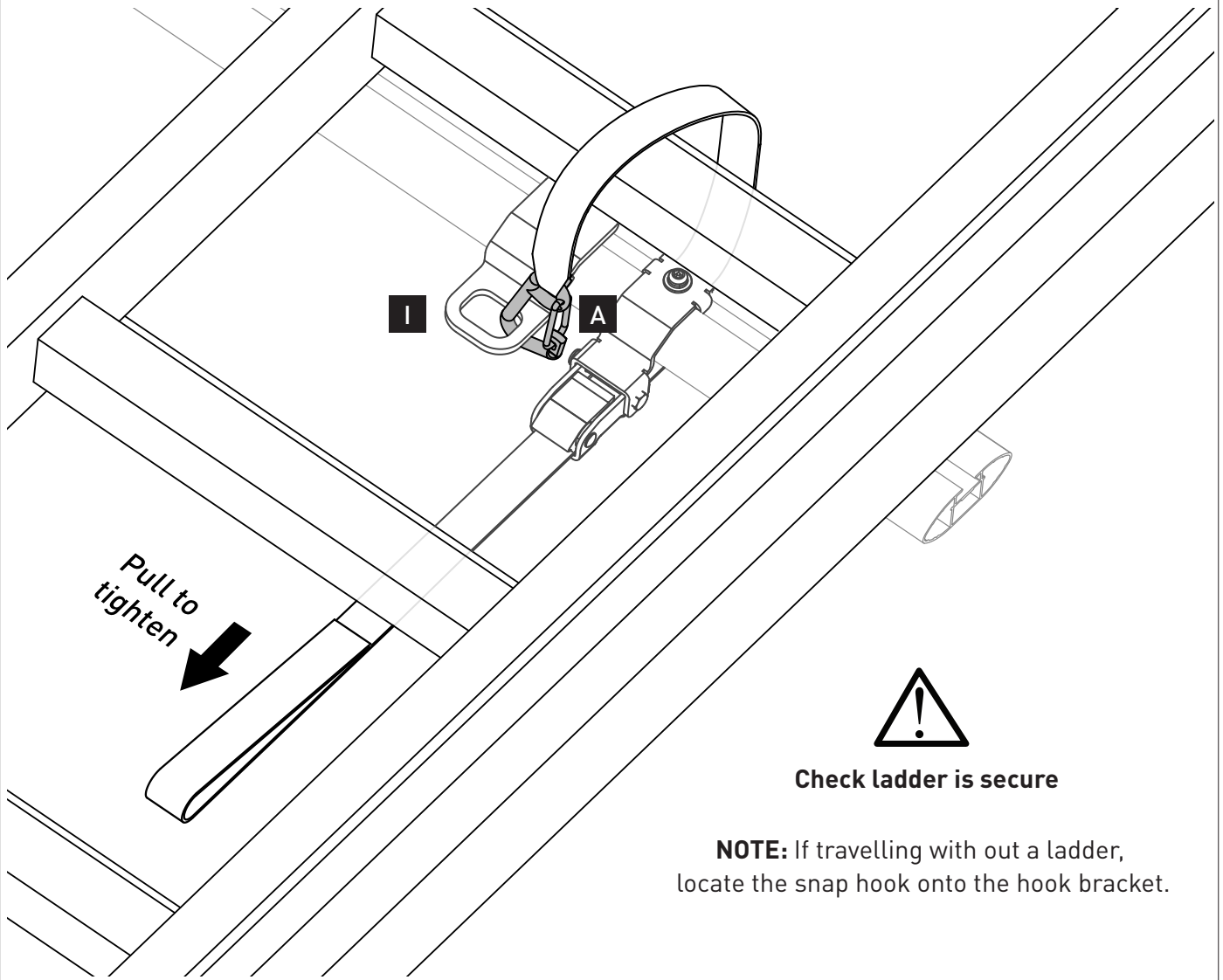


**NOTE:** Remove the bar end cap or leg cover to access channel if required.

**3** Position the camlock and hook bracket to suit ladder, and tighten.



- 4**
- 1) Wrap the snap hook end of the strap over the ladder runs.
  - 2) Snap the hook onto **I** ensuring the safety latch is fully closed onto the hook.
  - 3) Pull strap to tighten around the ladder runs.



- 5**
- To release the ladder, press the camlock latch and pull the strap back through the camlock, then unhook the snap hook.

