

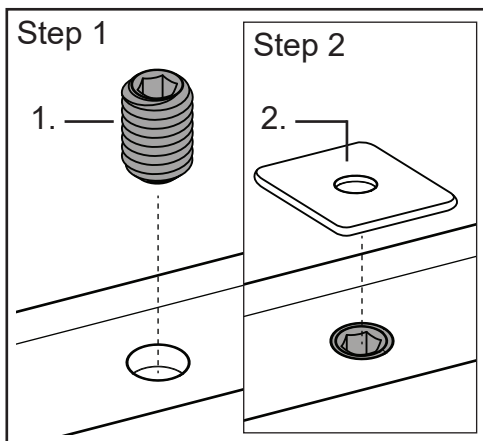


# RHINO-RACK

CONTROLLED

SUB0709

**Note:** SUB0709 is intended for use with the RIDB1 Backbone kit. Once factory rails are removed, fit the grub screws. Fit butyl patches over the installed grub screws in the roof.



Item	Component Name	Qty	Part No.
1	M8 x 10mm Socket Grub Screw	6	B195
2	Butyl Patch	4	CA1260

Issue: 02 Document No: R1234

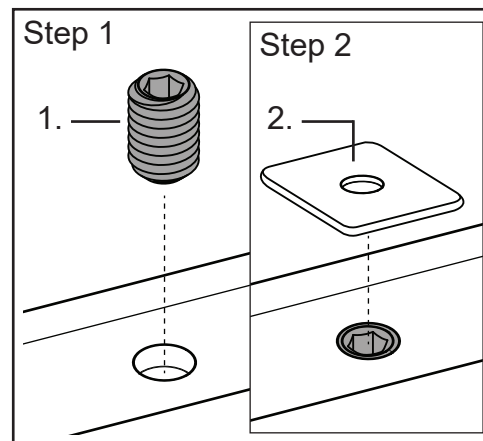


# RHINO-RACK

CONTROLLED

SUB0709

**Note:** SUB0709 is intended for use with the RIDB1 Backbone kit. Once factory rails are removed, fit the grub screws. Fit butyl patches over the installed grub screws in the roof.



Item	Component Name	Qty	Part No.
1	M8 x 10mm Socket Grub Screw	6	B195
2	Butyl Patch	4	CA1260

Issue: 02 Document No: R1234

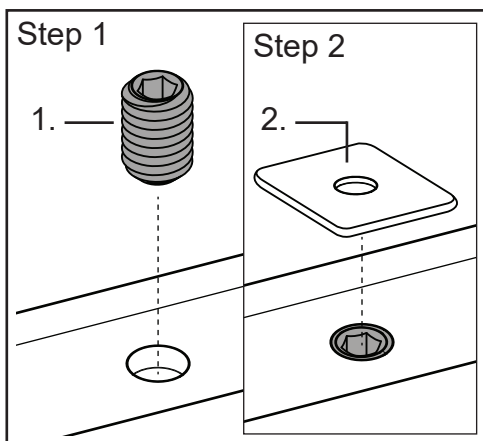


# RHINO-RACK

CONTROLLED

SUB0709

**Note:** SUB0709 is intended for use with the RIDB1 Backbone kit. Once factory rails are removed, fit the grub screws. Fit butyl patches over the installed grub screws in the roof.



Item	Component Name	Qty	Part No.
1	M8 x 10mm Socket Grub Screw	6	B195
2	Butyl Patch	4	CA1260

Issue: 02 Document No: R1234

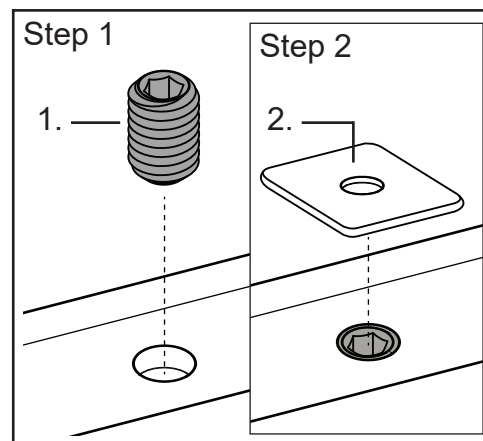


# RHINO-RACK

CONTROLLED

SUB0709

**Note:** SUB0709 is intended for use with the RIDB1 Backbone kit. Once factory rails are removed, fit the grub screws. Fit butyl patches over the installed grub screws in the roof.



Item	Component Name	Qty	Part No.
1	M8 x 10mm Socket Grub Screw	6	B195
2	Butyl Patch	4	CA1260

Issue: 02 Document No: R1234

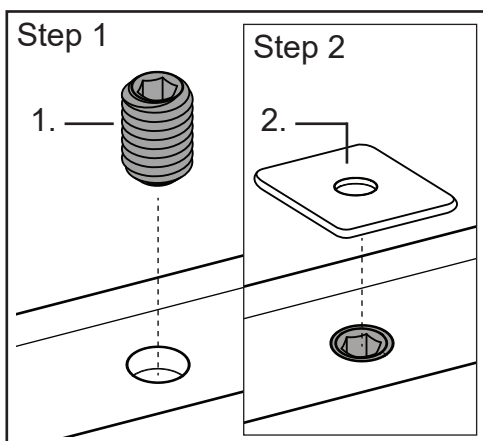


# RHINO-RACK

CONTROLLED

SUB0709

**Note:** SUB0709 is intended for use with the RIDB1 Backbone kit. Once factory rails are removed, fit the grub screws. Fit butyl patches over the installed grub screws in the roof.



Item	Component Name	Qty	Part No.
1	M8 x 10mm Socket Grub Screw	6	B195
2	Butyl Patch	4	CA1260

Issue: 02 Document No: R1234

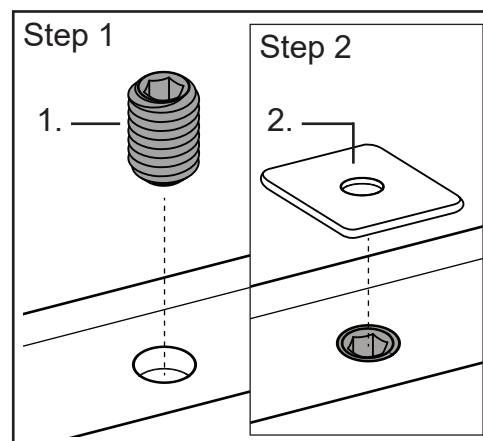


# RHINO-RACK

CONTROLLED

SUB0709

**Note:** SUB0709 is intended for use with the RIDB1 Backbone kit. Once factory rails are removed, fit the grub screws. Fit butyl patches over the installed grub screws in the roof.



Item	Component Name	Qty	Part No.
1	M8 x 10mm Socket Grub Screw	6	B195
2	Butyl Patch	4	CA1260

Issue: 02 Document No: R1234