

RHINO-RACK

SX023

- Important:**
- 1. Please refer to your fitting instruction to ensure that the roof racks are installed in the correct locations.
 - 2. Check the contents of kit before commencing fitment and report any discrepancies.
 - 3. Place these instructions in the vehicle's glove box after installation is complete.
 - 4. These instructions must be followed for warranty to be upheld.



Important Information

On Road Cargo Allowance	Off Road Cargo Allowance	Roof Allowance	Rack Weight
70kg / 154lb	46kg / 101lbs	75kg / 165lbs	5kg / 11lb

Advisory:

It is essential that all bolt connections be checked after 48hrs from when you first install your crossbars. Bolt connections should be checked again at regular intervals (probably once a week is enough, depending on road conditions, usage, loads and distances travelled). You should also check the crossbars each time they are refitted. Make sure to fasten your load securely (see page 2 for advisory diagrams). Please ensure that all loads are evenly distributed and that the centre of gravity is kept as low as possible.

Torque settings

Unless stated otherwise in these instructions, all fasteners should be set to the following torque settings - M6: 4-5Nm (3-4lbs/ft), M8: 8-10Nm (6-7.5lbs/ft) and M10: 16-18Nm (12-13lbs/ft).

Caution:

- The handling characteristics of the vehicle changes when you transport a load on the roof. For safety reasons we recommend you exercise extreme care when transporting wind-resistant loads. Special consideration must be taken into account when cornering and braking. **Please remove crossbars when putting vehicle through an automatic car wash.**
- Use only non-stretch fastening ropes or straps.
- In heavy winds and high vehicle speeds, increased wind noise may be experienced within the cabin. Roof racks are designed to be quickly and easily removed should the noise level become annoying.
- When fitting to vehicle with moonroof, the roof bars have approximately 10mm clearance. After loading up your roof bars always check the moonroof has clearance during operation. If not, remove crossbars.

Note for Dealers and Fitters: It is your responsibility to ensure instructions are given to the end user or client. Rhino-Rack

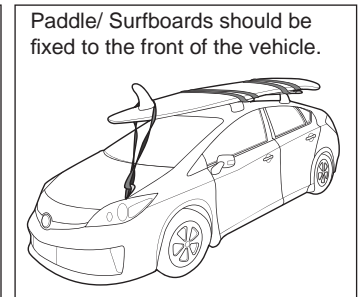
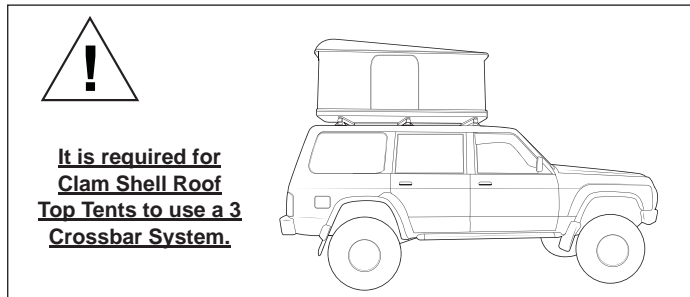
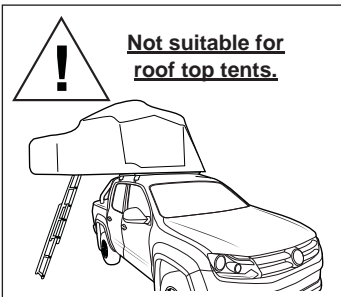
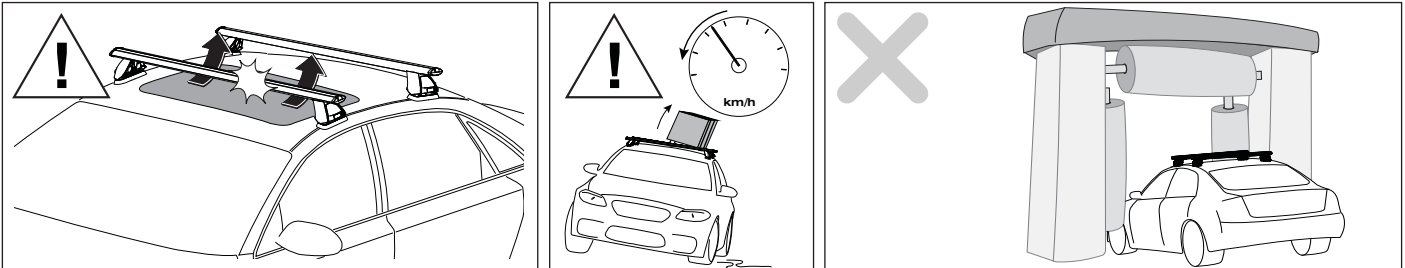
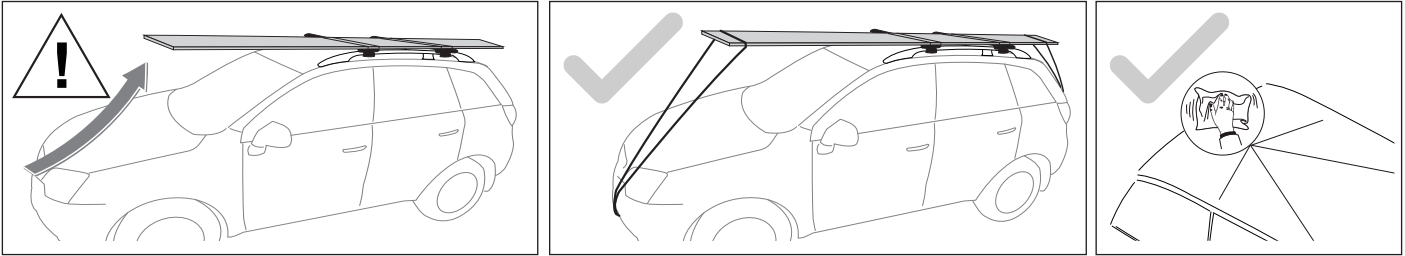
3 Pike Street, Rydalmere,
NSW 2116, Australia.
(Ph) (02) (02) 8846 1900
(Fax) (02) 9638 4822

Document No: R164
Prepared By: Kayle Everett
Authorised By: Chris Murty

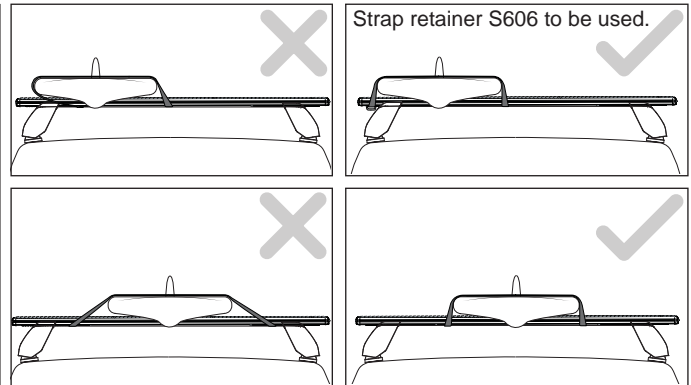
Fit Time: 25min
Issue No: 04
Issue Date: 21/06/2018

These instructions remain the property of Rhino-Rack Australia Pty. Ltd. and may not be used or changed for any other purpose than intended.

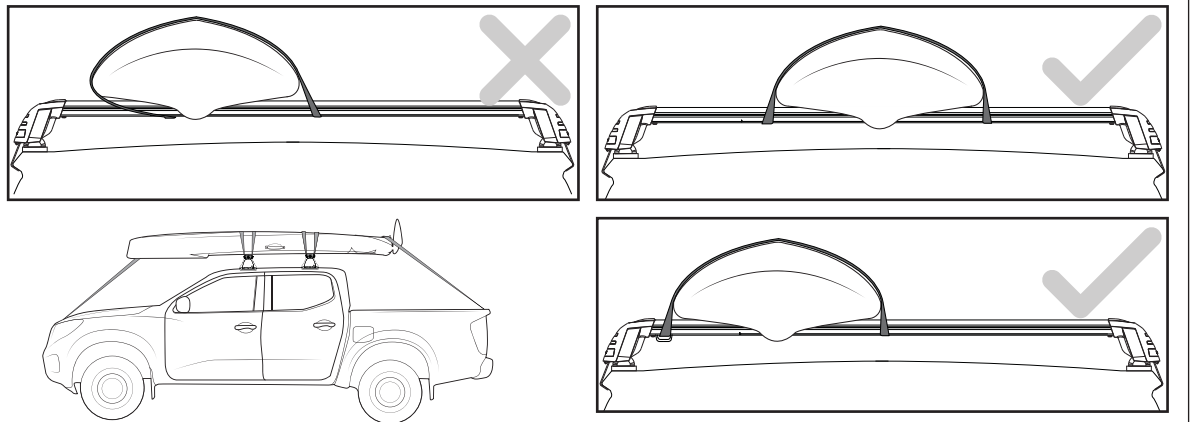
SX023



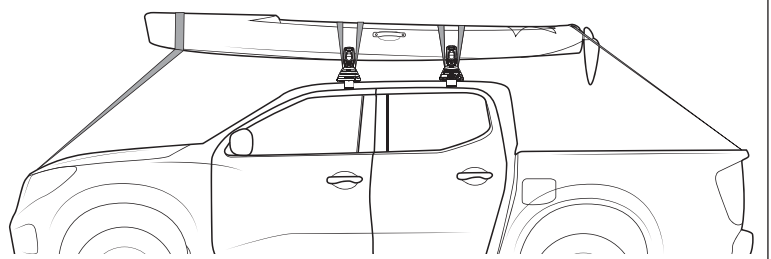
WARNING! Important Load Carrying Instructions
 With utility vehicles, the cabin and the canopy move independently. Roof racks and vehicle can be damaged if the item transported is rigidly fixed at points on both the cabin and canopy. Instead, rigidly fix to either the cabin roof racks or the canopy roof racks.



Kayaks should use additional straps to secure the load at the front and rear of the vehicle where possible. Always use Kayak Carrier Cradles when transporting Kayaks on the roof.



Optimal Setup:
 The Kayak should be housed in Cradles and held in place with tension straps.
 The front and rear of the Kayak should be fixed to the front and rear of the vehicle. A Nose Tie Down (RBAS1) should be used to secure the front of the Kayak.



SX023

Installation and setup

Important: Items 1,2,3 and 5 sold as separate kit.

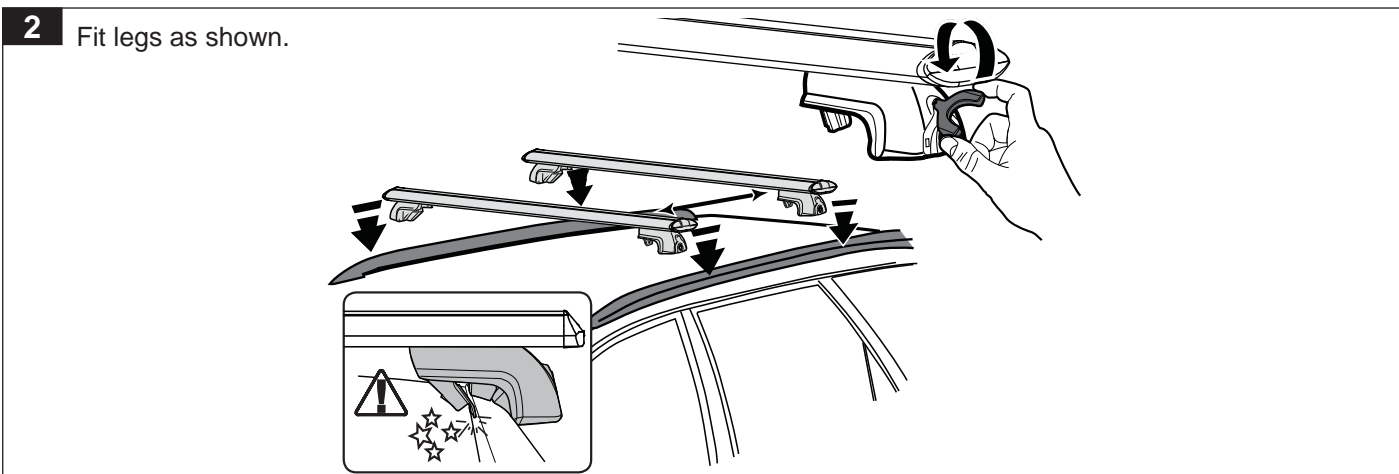
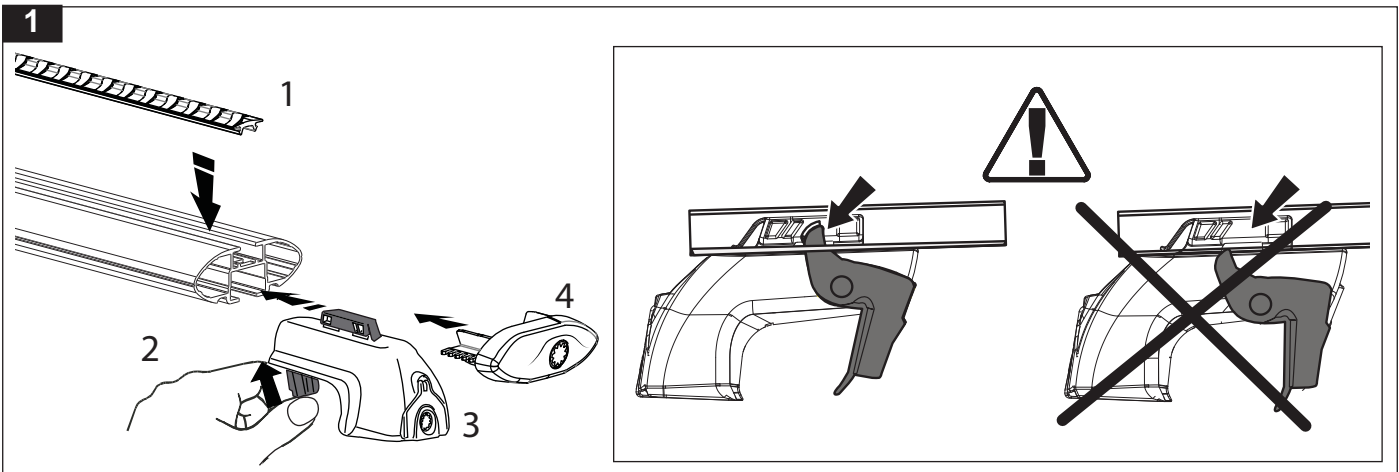
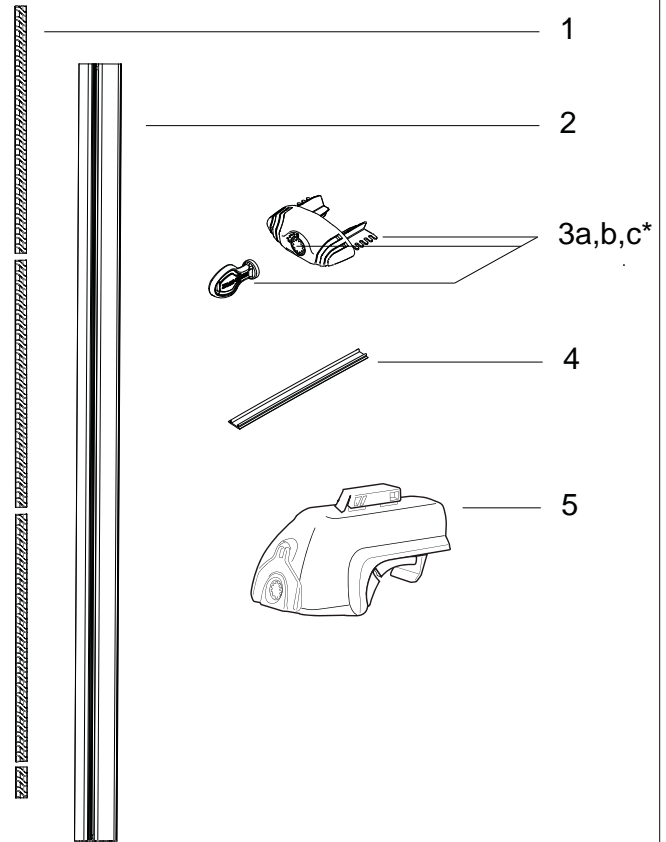
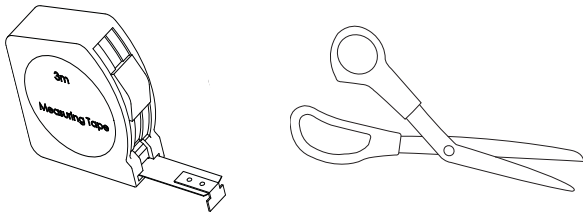
Item	Component Name	Qty	Part No.
1	Vortex Generating Strip	2-4	M626
2	Crossbar	2	VA---
3a*	End Cap Locking	4	M640
3b*	End Cap Barrel	4	M622
3c*	Lock Barrel Key	2	M623
4	Crossbar Under bar Strip	4	M641
5	SXB leg	4	CA1921
6	Fitting Instruction	1	R164

*Optional Extra

Care Instruction:

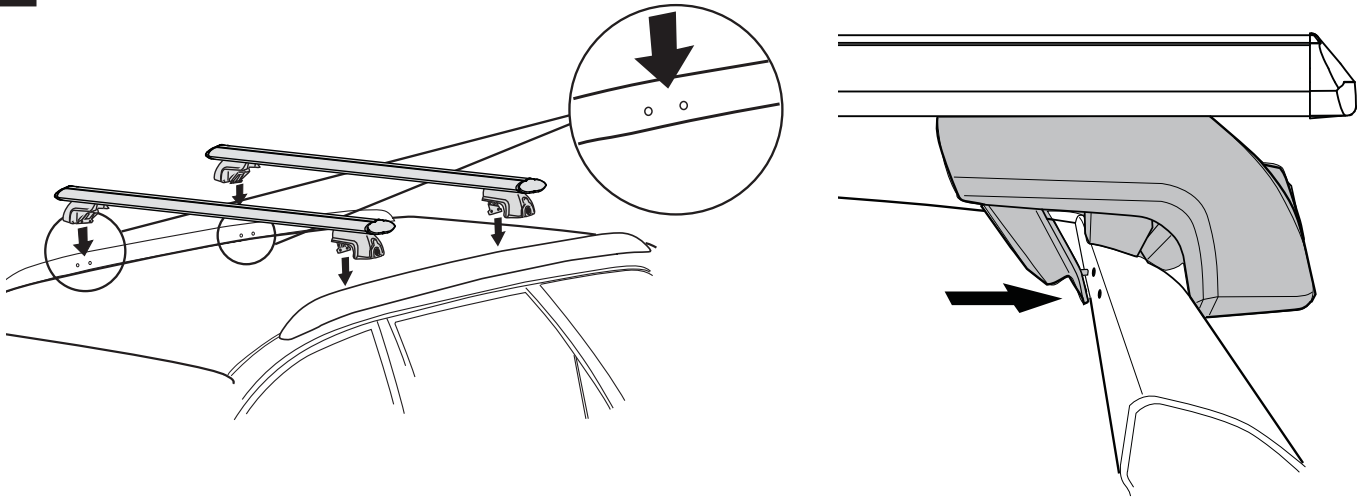
Clean vehicle roof rails prior to fitting the roof racks.

Tools:

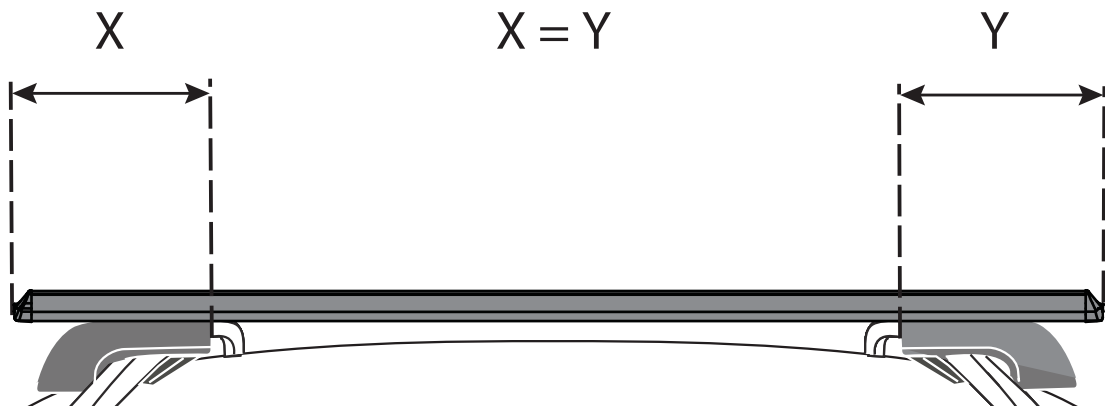


SX023

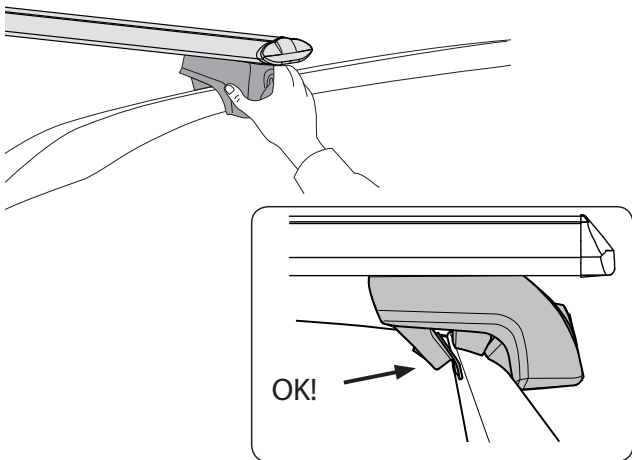
3



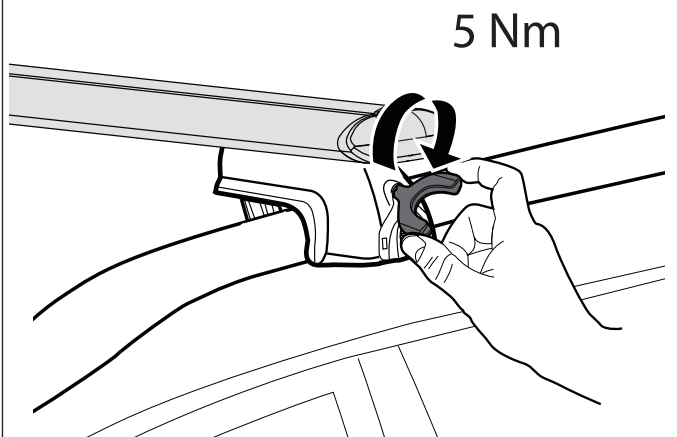
4



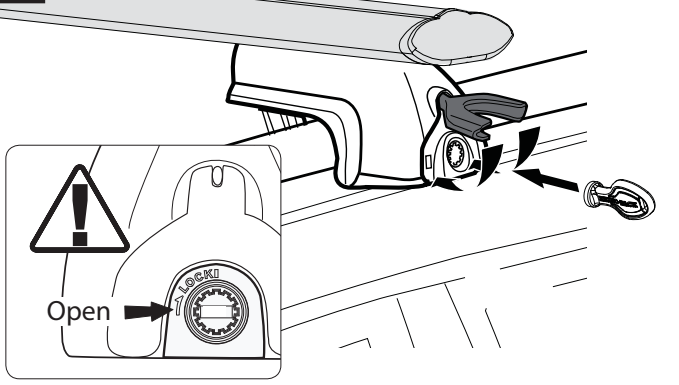
5



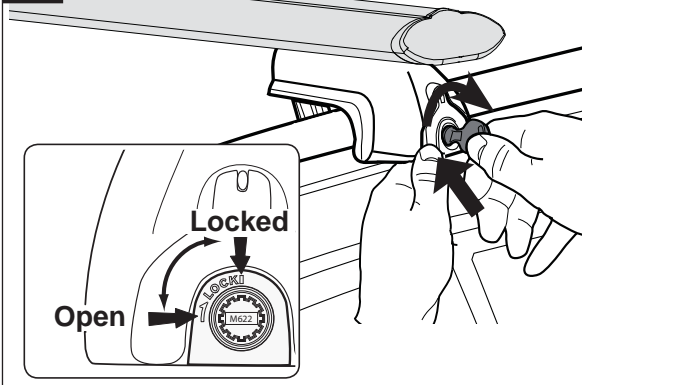
6



7

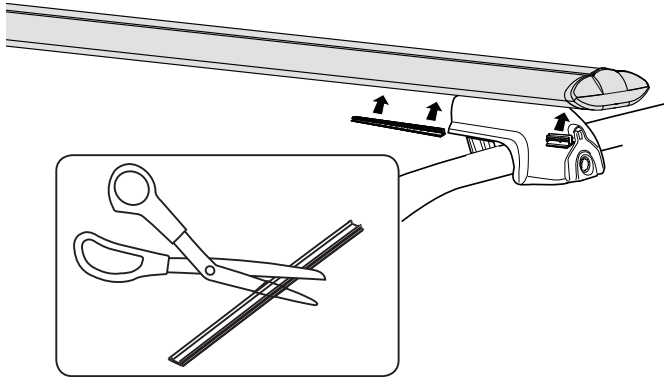


8



SX023

9



10

CHECK!

